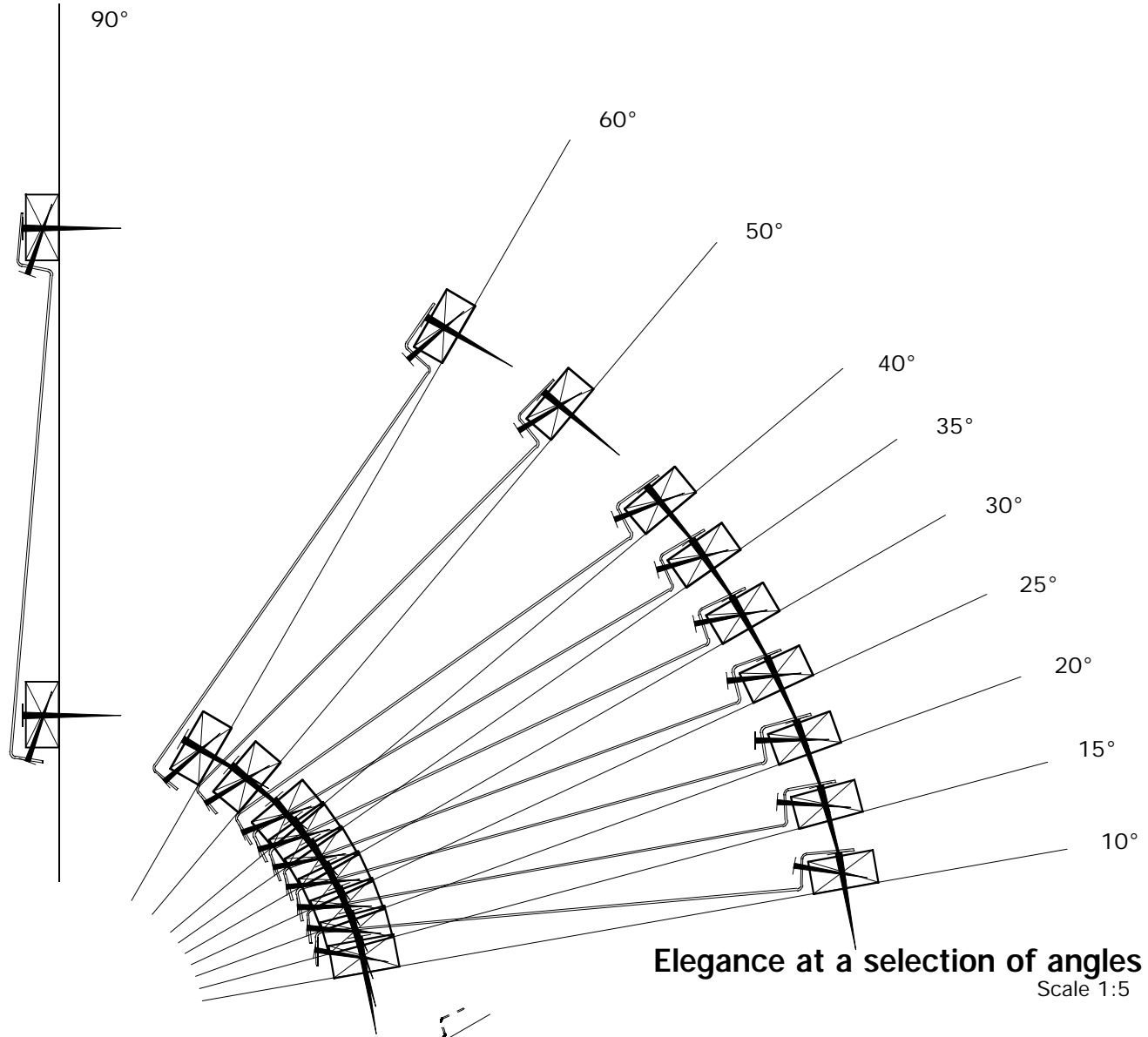


Decra Elegance

Scottish Practice

Drawing no	Description	Shown In Decra Brochure	Most Commonly Used Detail
DESS001	Tile Component • <i>A Selection of Angles</i>		
DTSS002	Section Components - <i>Standard Components Using D Type Ridge</i>		
DESS003	Elevations Components • <i>Tile Elevations at a Selection of Angles</i>		
DESS004	Standard Section Through Tiles • <i>Typical section Through Tiles</i>		<input checked="" type="checkbox"/>
DESS0013	Eaves Detail Using Eave Guard 400 Unventilated and 600mm Rafter Spacing • <i>Eave Detail Greater than 17.5° Roof Pitch</i> • <i>Eave Detail 10° to 17.5°</i>		<input checked="" type="checkbox"/>
DESS0015	Eaves Detail Using Eave Guard 400 10mm Eaves Vent and 600mm Rafter Spacing • <i>Eave Detail Greater than 17.5° Roof Pitch</i> • <i>Eave Detail 10° to 17.5°</i>		<input checked="" type="checkbox"/>
DESS0017	Eaves Detail Ventilated Using Eave Guard 400, 25mm Eaves Vent and 600mm Rafter Spacing • <i>Eave Detail Greater than 17.5° Roof Pitch</i> • <i>Eave Detail 10° to 17.5°</i>		<input checked="" type="checkbox"/>
DTSS020	Unventilated D Ridge Details - <i>'D' Ridge Detail</i> - <i>'D' Ridge Detail</i>		<input checked="" type="checkbox"/>
DTSS021	Ventilated D Ridge detail using universal Hip/Ridge ventilator - <i>Vented 'D' Ridge detail</i>		<input checked="" type="checkbox"/>
DTSS022	Ventilated D Ridge detail using Decra D Ridge vent filler unit - <i>Vented 'D' Ridge detail</i>		<input checked="" type="checkbox"/>
DTSS023	B Ridge Details - <i>'B' Ridge Detail</i> - <i>'B' Ridge Detail</i>		
DTSS027	D Ridge Flue Terminal - <i>Ridge detail</i> - <i>Flue component isometric</i> - <i>Cut ridge board detail</i>		<input checked="" type="checkbox"/>
DTSS030	Hip detail using B type ridge - <i>Hip detail using Decra 'B' ridge</i> - <i>Cutaway isometric to hip</i>		
DTSS031	Hip detail using D type ridge - <i>Hip detail using Decra 'D' ridge</i> - <i>Cutaway isometric to hip</i>		<input checked="" type="checkbox"/>
DTSS032	Hip detail using D type ridge ventilated - <i>Hip detail Decra 'D' ridge</i> - <i>Cutaway Isometric to hip</i>		<input checked="" type="checkbox"/>
DTSS040	Mono ridge detail (D type ridge) - <i>Mono ridge detail</i>		<input checked="" type="checkbox"/>
DTSS041	Mono ridge detail D ridge with universal D hip/ridge vent - <i>Mono ridge detail</i>		<input checked="" type="checkbox"/>
DTSS042	Mono-ridge detail D type ridge using D ridge vent filler - <i>Mono ridge detail</i>		<input checked="" type="checkbox"/>
DTSS044	Mono-ridge details (B type ridge) - <i>Mono ridge detail</i> - <i>Alternative mono ridge detail</i>		

DESS0049	Cloaked Verge Cap Detail <ul style="list-style-type: none"> • <i>Barge With Cloaked Verge Cap Detail</i> • <i>Isometric Detail at Gutter</i> 		<input checked="" type="checkbox"/>
DTSS051	Vertical tiling detail <ul style="list-style-type: none"> - <i>Vertical tiles details</i> - <i>Vertical tiles isometric detail</i> 		
DTSS053	Raking verge - internal gutter <ul style="list-style-type: none"> -<i>Raking verge detail</i> - <i>Raking verge detail</i> 		
DTSS054	Raking verge detail <ul style="list-style-type: none"> - <i>Raking verge detail</i> 		<input checked="" type="checkbox"/>
DESS0055	Valley Gutter Details <ul style="list-style-type: none"> • <i>Lead Valley Detail</i> • <i>GRP Valley Detail</i> 		<input checked="" type="checkbox"/>
DESS0056	Valley Gutter Details To Felted/Boarded Roof <ul style="list-style-type: none"> • <i>Lead Valley Detail on Felt or Boarded Roof</i> • <i>Lead Valley Detail Using 50x50mm Tile Battens</i> 		<input checked="" type="checkbox"/>
DESS0060	Mansard Roof Detail <ul style="list-style-type: none"> - <i>Mansard using lead flashing</i> - <i>Mansard using top course</i> 		<input checked="" type="checkbox"/>
DESS0061	Flashing Details to Chimney <ul style="list-style-type: none"> • <i>Flashing Details to Chimney</i> 		<input checked="" type="checkbox"/>
DESS0062	Soil Vent Terminal Details <ul style="list-style-type: none"> • <i>Soil Vent Through Roof</i> • <i>Tile Ventilator to Soil Vent Pipe</i> 		<input checked="" type="checkbox"/>
DTSS064	Vertical corner details <ul style="list-style-type: none"> - <i>Detail of external corner using Decra 'B' ridge</i> - <i>Detail of external corner using Decra 'D' ridge</i> 		
DESS0065	Detail at Change In Roof Pitch Using Eave Guard 400 and 25mm Ventilator <ul style="list-style-type: none"> • <i>Detail at Change in Pitch</i> • <i>Detail At change In Pitch</i> 		<input checked="" type="checkbox"/>
DESS0070	Abutment Detail With Secret Gutter <ul style="list-style-type: none"> • <i>Abutment Detail With Secret Gutter</i> 		<input checked="" type="checkbox"/>
DESS0071	Abutment Details <ul style="list-style-type: none"> • <i>Abutment Detail Without Side Flashing</i> 		<input checked="" type="checkbox"/>
DTSS072	Roof sheeting abutment details <ul style="list-style-type: none"> - <i>Detail of Decra abutting asbestos/profiled sheet</i> - <i>Detail of Decra abutting asbestos/profiled sheet</i> 		
DTSS073	Slate and tile abutment details <ul style="list-style-type: none"> - <i>Detail of Decra abutting concrete tiles of profiled section</i> - <i>Detail of Decra abutting slate or flat profile concrete tile</i> 		
DESS0080	Velux Rooflight EDW Flashing <ul style="list-style-type: none"> • <i>Velux EDW Flashing</i> • <i>Typical Section</i> • <i>Typical Cross-Section</i> 		<input checked="" type="checkbox"/>



Elegance at a selection of angles
Scale 1:5

Duplicate a tile and batten. Move them 370mm along the line of the counter batten as shown to increase the number of rows of tiles on the roof.

Rotate the line of tiles, battens, counter battens and sarking as required and adjust the fascia and ridge cap to suit the desired pitch of roof.

These components can be scaled for use on larger or smaller scale detail drawings.

Notes:

Refer also to the Detail drawings when using these components.
For Ventilated situations copy the relevant eaves and D ridge details from the Detail drawings.

Decra[®]
Roof Systems Limited

A member of the Icopal Group

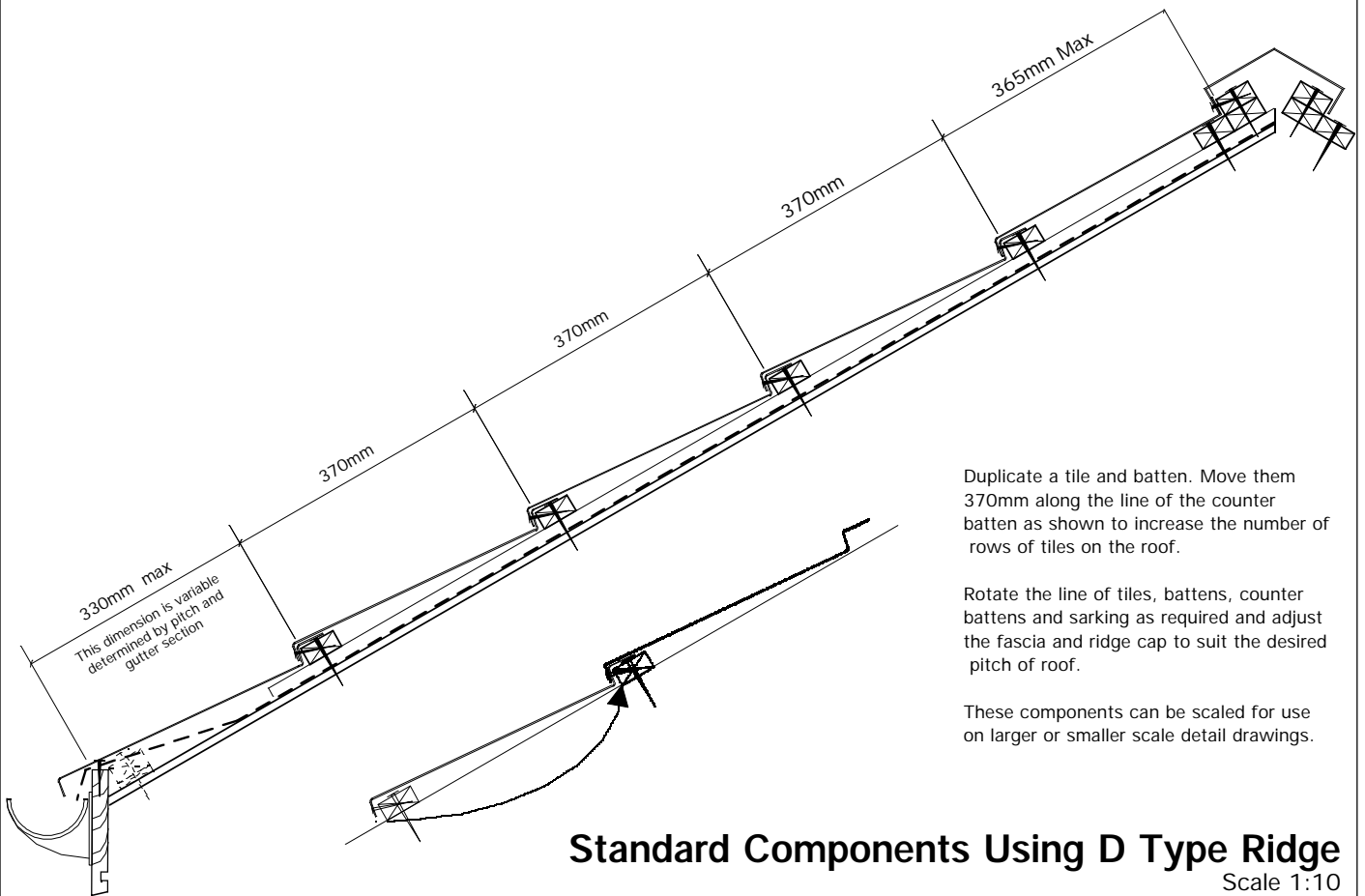


Unit 4
Crompton Fields
Crompton Way
Crawley
West Sussex
RH10 9QB

telephone: (01293) 545058/9
fax: (01293) 562709
email: technical@decra.co.uk
web-Site: <http://www.decra.co.uk>

The copyright of this drawing and detail information belongs to Decra Roof Systems Limited. Reproduction or amendment outwith the terms of the licensing agreement by other parties is expressly forbidden.

DECRA ELEGANCE		
CONTENT	DECRA ELEGANCE ELEGANCE TILE COMPONENT	
DRAWING SCALE	1:5	DATE 07/09/98
DRAWING NO	DESS001	REVISION



Duplicate a tile and batten. Move them 370mm along the line of the counter batten as shown to increase the number of rows of tiles on the roof.

Rotate the line of tiles, battens, counter battens and sarking as required and adjust the fascia and ridge cap to suit the desired pitch of roof.

These components can be scaled for use on larger or smaller scale detail drawings.

Standard Components Using D Type Ridge

Scale 1:10

Notes:

Refer also to the Detail drawings when using these components.
For Ventilated situations copy the relevant eaves and D ridge details from the Detail drawings.

Decra[®]
Roof Systems Limited

A member of the Icopal Group



Unit 4
Crompton Fields
Crompton Way
Crawley
West Sussex
RH10 9QB

telephone: (01293) 545058/9

fax: (01293) 562709

email: technical@decra.co.uk

web-Site: <http://www.decra.co.uk>

The copyright of this drawing and detail information belongs to Decra Roof Systems Limited. Reproduction or amendment outwith the terms of the licensing agreement by other parties is expressly forbidden.

DECRA ELEGANCE

CONTENT

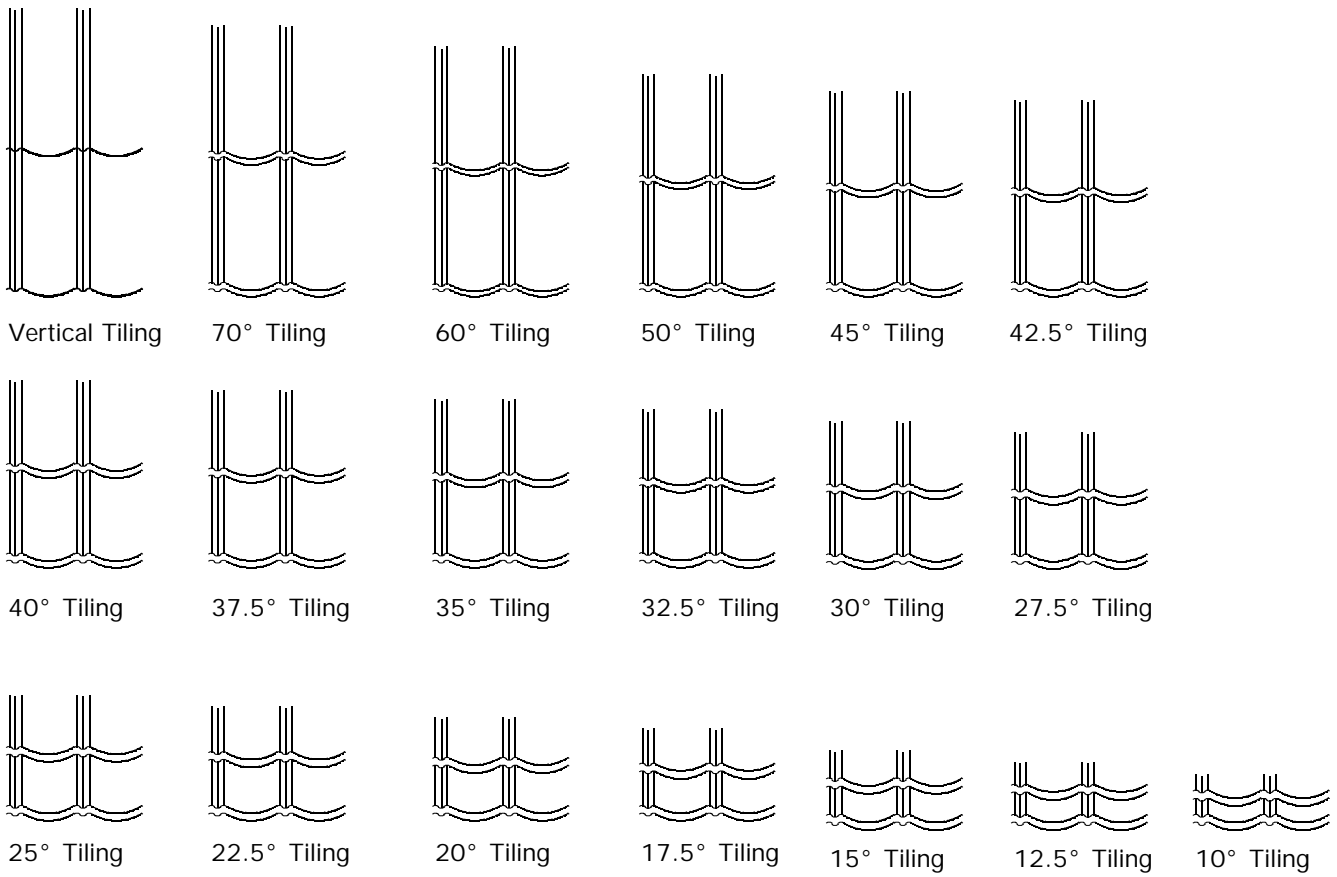
**DECRA ELEGANCE
SECTION COMPONENTS**

DRAWING SCALE **1:10**

DATE **07/09/98**

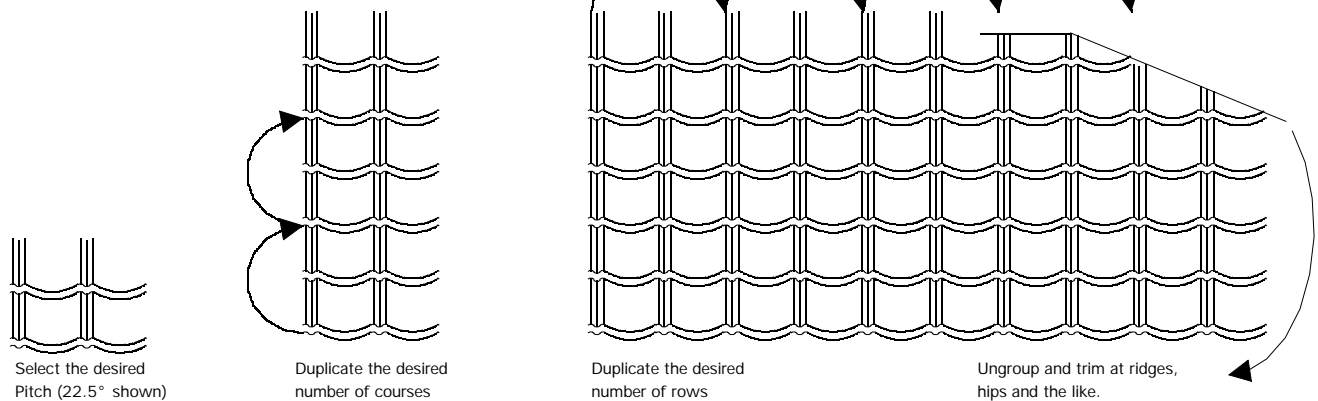
DRAWING NO **DESS002**

REVISION



Elegance Tile Elevations at a selection of angles
Scale 1:20

To use the elevations:



Notes:

The elevation components are given to assist in the production of elevations and are intended to give an indication of the appearance of the Decra Elegance tiles at the various pitches noted. To use the components select the one closest to the pitch of your roof and duplicate as shown. If a more accurate indication is required you should construct your own using the profile given in the component drawing for the Decra tile and rearrange it using construction lines from a Elegance tile roof drawn at the desired pitch.

Decra®
Roof Systems Limited
A member of the Icopal Group



Unit 4
Crompton Fields
Crompton Way
Crawley
West Sussex
RH10 9QB

telephone: (01293) 545058/9
fax: (01293) 562709
email: technical@decra.co.uk
web-Site: <http://www.decra.co.uk>

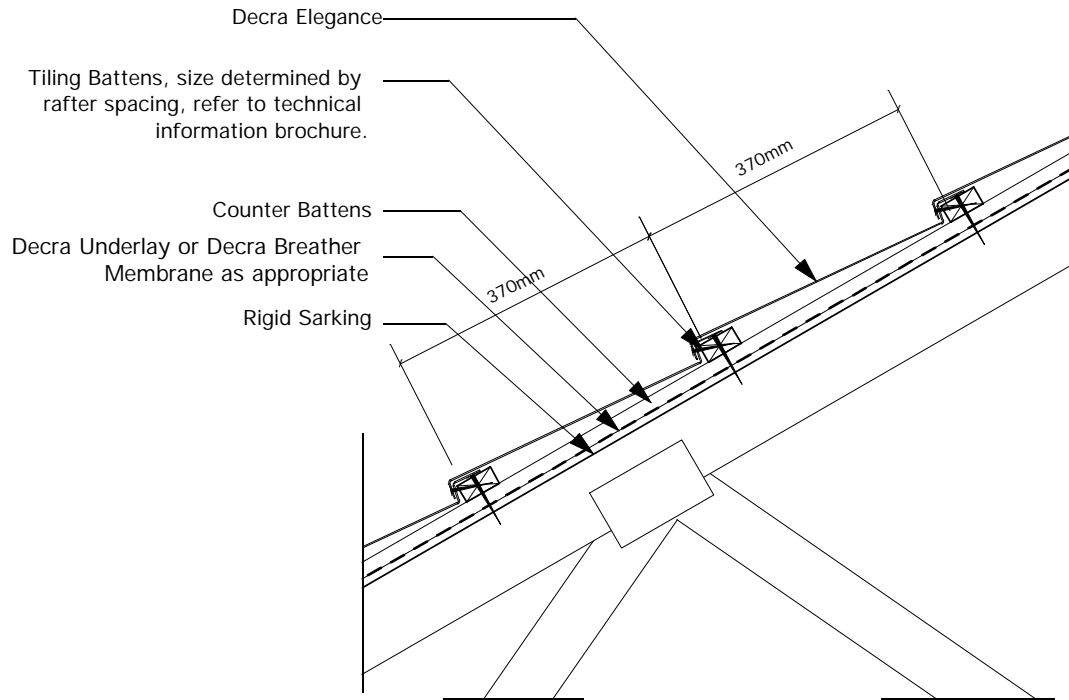
The copyright of this drawing and detail information belongs to Decra Roof Systems Limited. Reproduction or amendment outwith the terms of the licensing agreement by other parties is expressly forbidden.

DECRA ELEGANCE

**DECRA ELEGANCE
ELEVATIONS COMPONENTS**

CONTENT	DECRA ELEGANCE ELEVATIONS COMPONENTS	
DRAWING SCALE	1:20	DATE 07/09/98
DRAWING NO	DESS003	REVISION

Tile Batten (minimum thickness 25mm) @ 370mm spacings. Size is determined by rafter spacing, refer to table in technical information brochure.



Typical Section through Tiles

Scale 1:10

Notes:

Decra[®]
Roof Systems Limited
A member of the Icopal Group



Unit 4
Crompton Fields
Crompton Way
Crawley
West Sussex
RH10 9QB

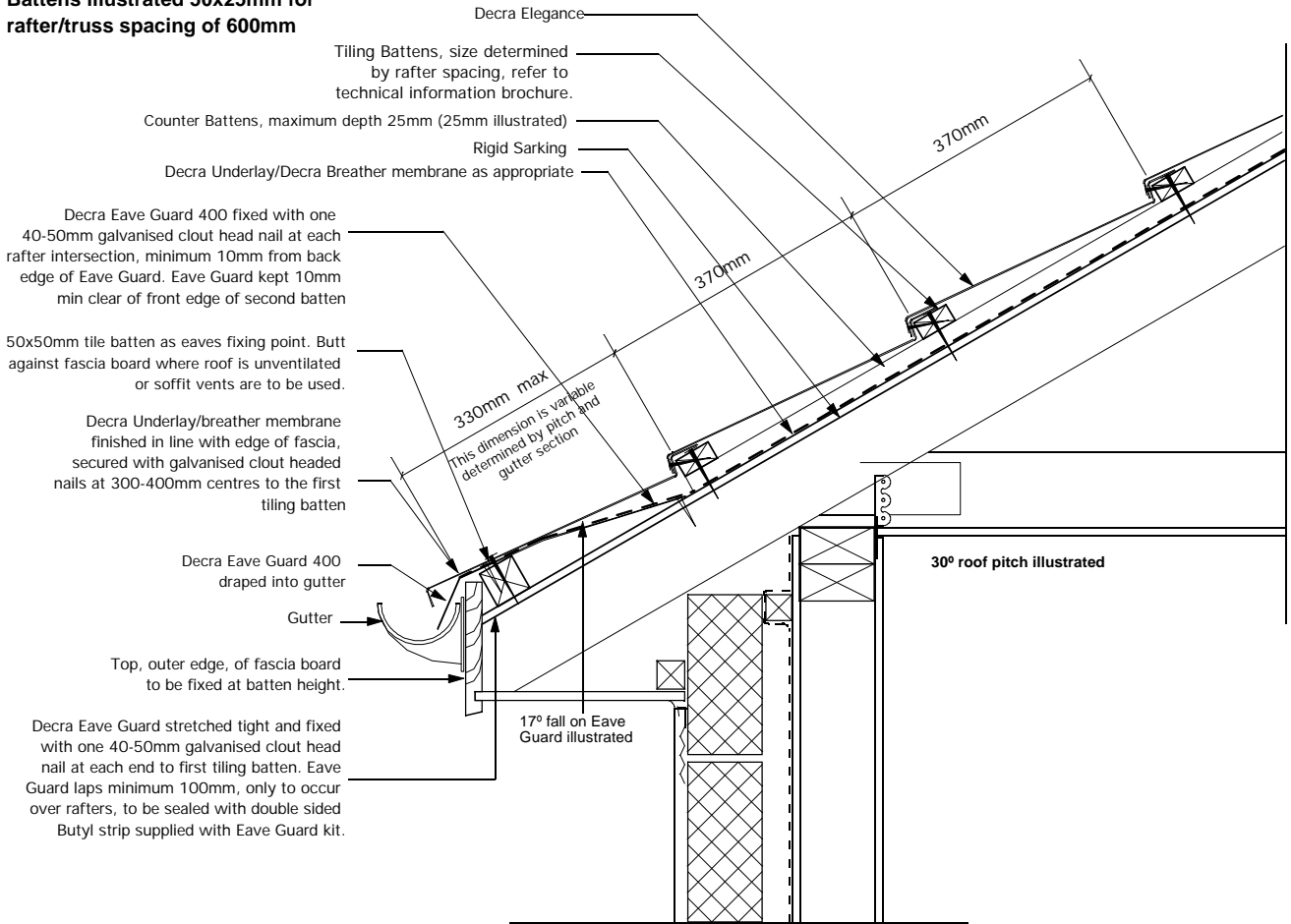
telephone: (01293) 545058/9
fax: (01293) 562709
email: technical@decra.co.uk
web-Site: <http://www.decra.co.uk>

The copyright of this drawing and detail information belongs to Decra Roof Systems Limited. Reproduction or amendment outwith the terms of the licensing agreement by other parties is expressly forbidden.

DECRA ELEGANCE

CONTENT	DECRA ELEGANCE STANDARD SECTION THROUGH TILES	
DRAWING SCALE	1:10	DATE 07/09/98
DRAWING NO	DESS004	REVISION

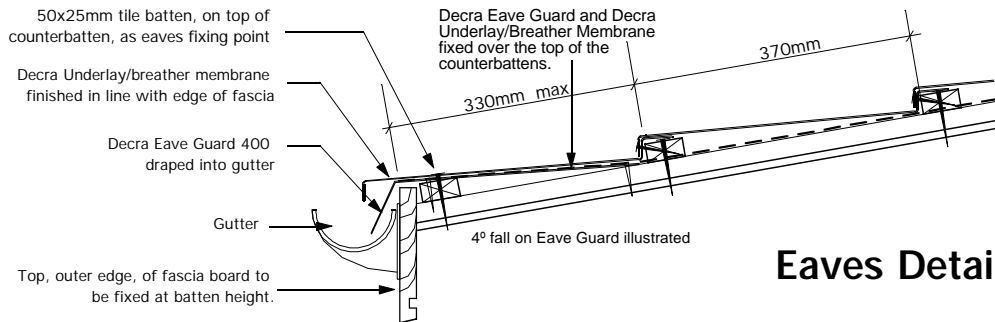
Battens illustrated 50x25mm for rafter/truss spacing of 600mm



Eaves Detail greater than 17.5° roof pitch

Scale 1:10

At low roof pitches care must be taken when setting out the underlying roof structure that ponding does not occur.



10° roof pitch illustrated

Note: Below 17.5° the Decra Underlay and Eave Guard are fixed over the top of the counter battens. It is essential that this is strictly adhered to in order to prevent ponding occurring.

Eaves Detail 10° to 17.5°

Scale 1:10

Note: fixing notes on top detail for Eave Guard and edge of underlay apply to this detail also

Notes:

This detail drawing is to be read in conjunction with the Decra Eave Guard 400 installation instructions.

This eaves arrangement can be used where soffit ventilation (not shown on this drawing) is being used.

Decra Eaves Guard has a front and back edge. It is essential that it is installed the right way round with the front edge draped into the gutter and the textured edge on top.

On eaves course of tile, the tiles are fixed vertically through the high point of the tile into the batten directly behind the fascia with Decra Nails. The nail heads to be covered with a finishing kit (supplied by Decra).



Decra®
Roof Systems Limited

A member of the Icopal Group



Unit 4
Crompton Fields
Crompton Way
Crawley
West Sussex
RH10 9QB

telephone: (01293) 545058/9
fax: (01293) 562709

email: technical@decra.co.uk
web-Site: <http://www.decra.co.uk>

The copyright of this drawing and detail information belongs to Decra Roof Systems Limited. Reproduction or amendment outwith the terms of the licensing agreement by other parties is expressly forbidden.

DECRA ELEGANCE

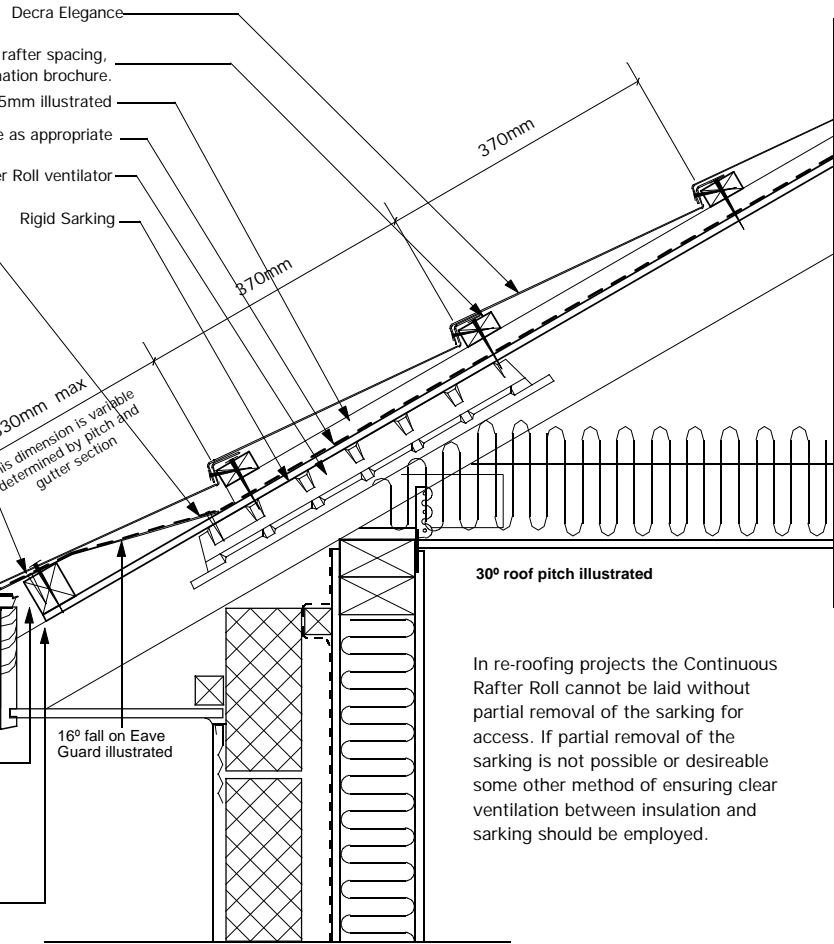
CONTENT **EAVES DETAIL USING EAVE GUARD 400 UNVENTILATED AND 600MM RAFTER SPACING**

DRAWING SCALE **1:10** DATE **15/04/03**

DRAWING NO **DESS013** REVISION

Battens illustrated 50x25mm for rafter/truss spacing of 600mm

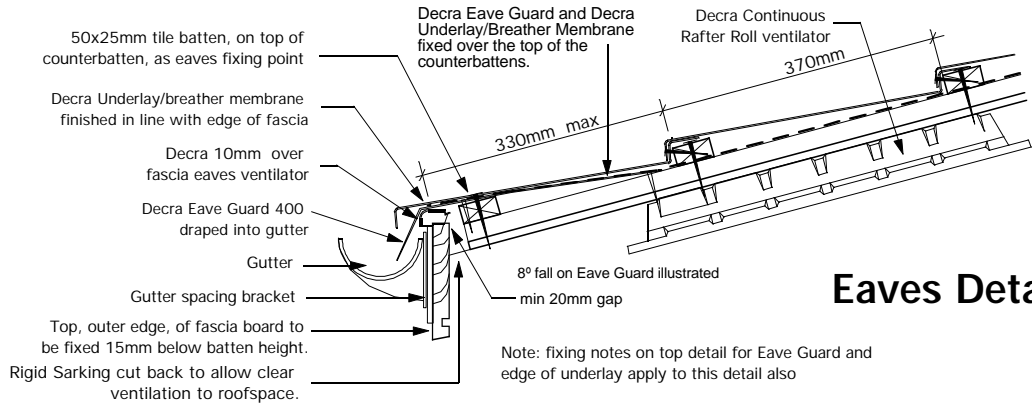
- Tiling Battens, size determined by rafter spacing, refer to technical information brochure.
- Counter Battens, max depth 25mm, 25mm illustrated
- Decra Underlay/Decra Breather membrane as appropriate
- Decra Continuous Rafter Roll ventilator
- Decra Eave Guard 400 fixed with one 40-50mm galvanised clout head nail at each rafter intersection, minimum 10mm from back edge of Eave Guard. Eave Guard kept 10mm min clear of front edge of second batten
- 50x50mm tile batten as eaves fixing point, min 20mm gap between fascia vent and batten
- Decra Underlay/breather membrane finished in line with edge of fascia, secured with galvanised clout headed nails at 300-400mm centres to the first tiling batten
- Decra 10mm over fascia eaves ventilator
- Decra Eave Guard 400 draped into gutter
- Gutter
- Gutter spacing bracket
- Top, outer edge, of fascia board to be fixed 15mm below batten height.
- Decra Eave Guard stretched tight and fixed with one 40-50mm galvanised clout head nail at each end to first tiling batten. Eave Guard laps minimum 100mm, only to occur over rafters, to be sealed with double sided Butyl strip supplied with Eave Guard kit.
- Rigid Sarking cut back to allow clear ventilation to roofspace.



In re-roofing projects the Continuous Rafter Roll cannot be laid without partial removal of the sarking for access. If partial removal of the sarking is not possible or desirable some other method of ensuring clear ventilation between insulation and sarking should be employed.

At low roof pitches care must be taken when setting out the underlying roof structure that ponding does not occur.

Eaves Detail greater than 17.5° roof pitch
Scale 1:10



Note: Below 17.5° the Decra Underlay and Eave Guard are fixed **over the top of the counter battens**. It is essential that this is strictly adhered to in order to prevent ponding occurring.

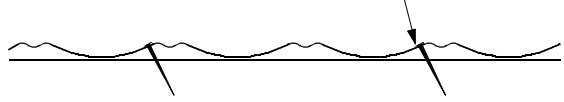
Eaves Detail 15° to 17.5°
Scale 1:10

See notes for roof pitches below 15°

Notes:

- This detail drawing is to be read in conjunction with the Decra Eave Gaurd 400 installation instructions.
- Decra Eaves Gaurd has a front and back edge. It is essential that it is installed the right way round with the front edge draped into the gutter and the textured edge on top.
- The 10mm eaves ventilator cannot be used where roof pitches are below 15°, the Decra 25mm over fascia vent should be used instead. For further information on ventilation recommendations see the information section of the Decra Technical Services CD, and see drawing No DTSS017 for the lower pitched, 600mm rafter spacing detail using the 25mm vent.

On eaves course of tile, the tiles are fixed vertically through the high point of the tile into the batten directly behind the fascia with Decra Nails. The nail heads to be covered with a finishing kit (supplied by Decra).



Decra[®]
Roof Systems Limited

A member of the Icopal Group



Unit 4
Crompton Fields
Crompton Way
Crawley
West Sussex
RH10 9QB

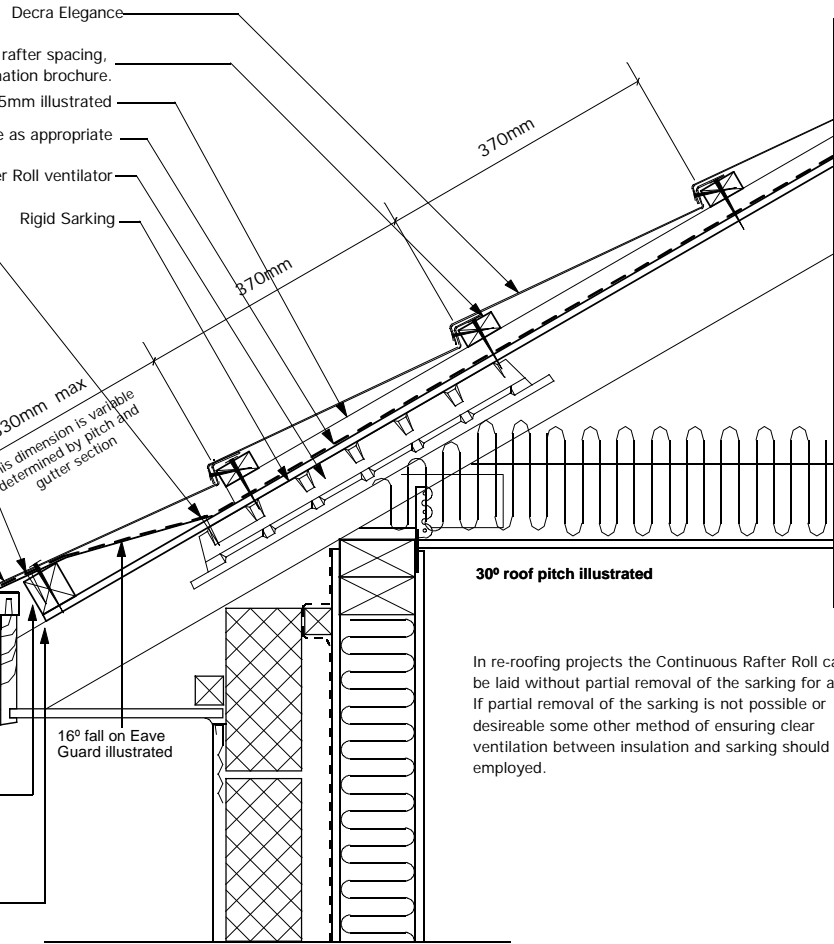
telephone: (01293) 545058/9
fax: (01293) 562709
email: technical@decra.co.uk
web-Site: <http://www.decra.co.uk>

The copyright of this drawing and detail information belongs to Decra Roof Systems Limited. Reproduction or amendment outwith the terms of the licensing agreement by other parties is expressly forbidden.

DECRA ELEGANCE		
CONTENT	EAVES DETAIL VENTILATED USING EAVE GUARD 400 10MM EAVES VENT AND 600MM RAFTER SPACING	
DRAWING SCALE	1:10	DATE 15/04/03
DRAWING NO	DESS015	REVISION

Battens illustrated 50x25mm for rafter/truss spacing of 600mm

- Tiling Battens, size determined by rafter spacing, refer to technical information brochure.
- Counter Battens, max depth 25mm, 25mm illustrated
- Decra Underlay/Decra Breather membrane as appropriate
- Decra Continuous Rafter Roll ventilator
- Decra Eave Guard 400 fixed with one 40-50mm galvanised clout head nail at each rafter intersection, minimum 10mm from back edge of Eave Guard. Eave Guard kept 10mm min clear of front edge of second batten
- 50x50mm tile batten as eaves fixing point, min 20mm gap between fascia vent and batten
- Decra Underlay/breather membrane finished in line with edge of fascia, secured with galvanised clout headed nails at 300-400mm centres to the first tiling batten
- Decra 25mm over fascia eaves ventilator
- Decra Eave Guard 400 draped into gutter
- Gutter
- Gutter spacing bracket
- Top, outer edge, of fascia board to be fixed 25mm below batten height.
- Decra Eave Guard stretched tight and fixed with one 40-50mm galvanised clout head nail at each end to first tiling batten. Eave Guard laps minimum 100mm, only to occur over rafters, to be sealed with double sided Butyl strip supplied with Eave Guard kit.
- Rigid Sarking cut back to allow clear ventilation to roofspace.



30° roof pitch illustrated

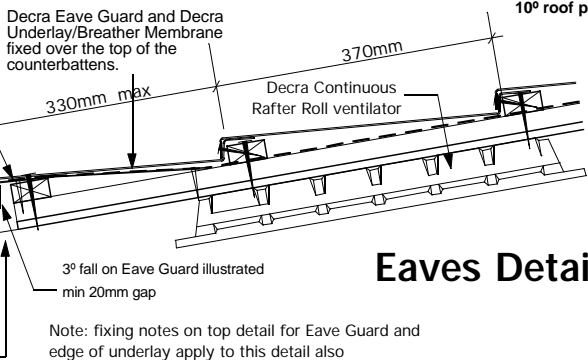
In re-roofing projects the Continuous Rafter Roll cannot be laid without partial removal of the sarking for access. If partial removal of the sarking is not possible or desirable some other method of ensuring clear ventilation between insulation and sarking should be employed.

At low roof pitches care must be taken when setting out the underlying roof structure that ponding does not occur.

Eaves Detail greater than 17.5° roof pitch

Scale 1:10

- 50x25mm tile batten as eaves fixing point
- Decra Underlay/breather membrane finished in line with edge of fascia
- Decra 25mm over fascia eaves ventilator
- Decra Eave Guard 400 draped into gutter
- Gutter
- Gutter spacing bracket
- Top, outer edge, of fascia board to be fixed 25mm below batten height.
- Rigid Sarking cut back to allow clear ventilation to roofspace.



10° roof pitch illustrated

Note: Below 17.5° the Decra Underlay and Eave Guard are fixed over the top of the counter battens. It is essential that this is strictly adhered to in order to prevent ponding occurring.

Eaves Detail 10° to 17.5°

Scale 1:10

Note: fixing notes on top detail for Eave Guard and edge of underlay apply to this detail also

Notes:

- This detail drawing is to be read in conjunction with the Decra Eave Gaurd 400 installation instructions.
- Decra Eaves Gaurd has a front and back edge. It is essential that it is installed the right way round with the front edge draped into the gutter and the textured edge on top.

On eaves course of tile, the tiles are fixed vertically through the high point of the tile into the batten directly behind the fascia with Decra Nails. The nail heads to be covered with a finishing kit (supplied by Decra).



Decra[®]
Roof Systems Limited
A member of the Icopal Group

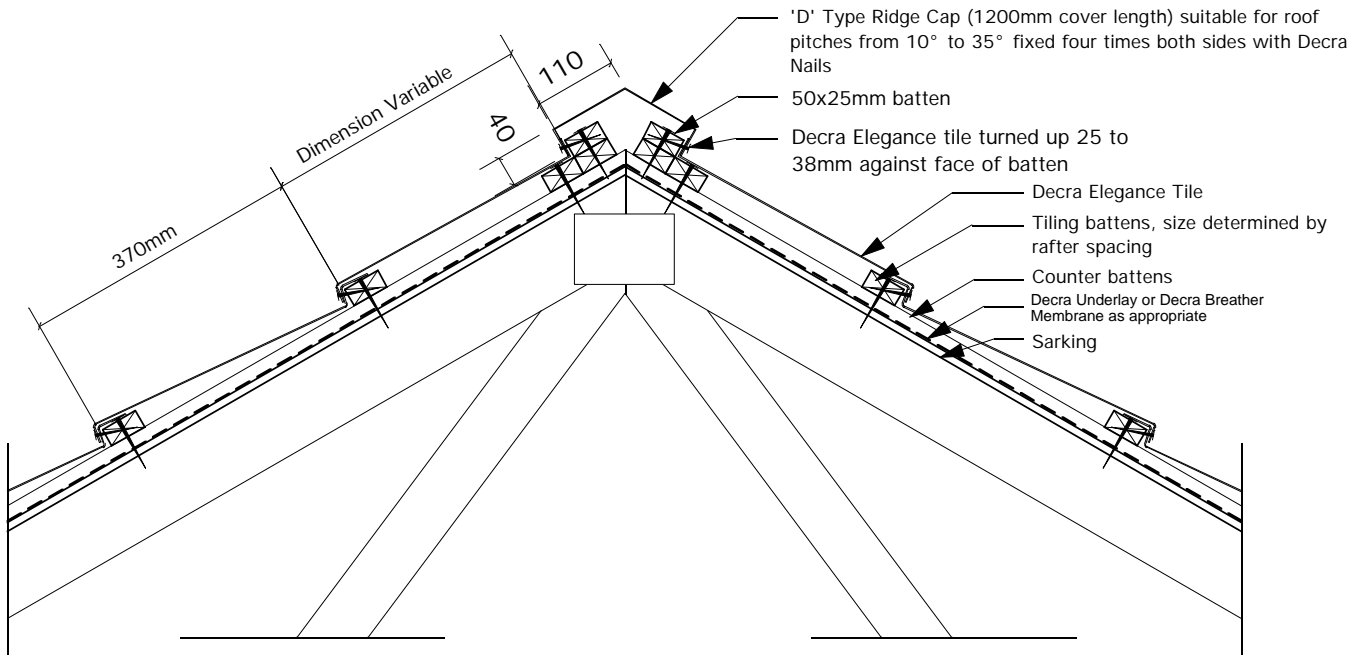
**ico
pal**

Unit 4
Crompton Fields
Crompton Way
Crawley
West Sussex
RH10 9QB

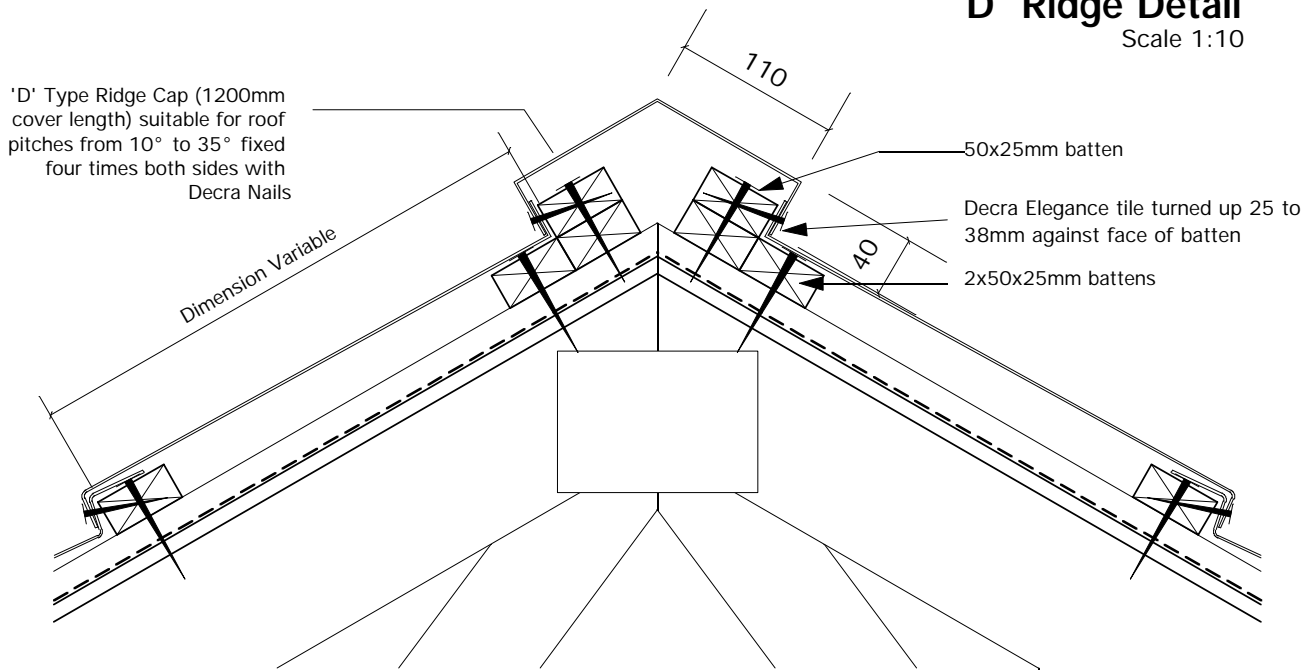
telephone: (01293) 545058/9
fax: (01293) 562709
email: technical@decra.co.uk
web-Site: <http://www.decra.co.uk>

DECRA ELEGANCE		
CONTENT	EAVES DETAIL VENTILATED USING EAVE GUARD 400, 25MM EAVES VENT AND 600MM RAFTER SPACING	
DRAWING SCALE	1:10	DATE 15/04/03
DRAWING NO	DESS017	REVISION

The copyright of this drawing and detail information belongs to Decra Roof Systems Limited. Reproduction or amendment outwith the terms of the licensing agreement by other parties is expressly forbidden.



'D' Ridge Detail
Scale 1:10



'D' Ridge Detail
Scale 1:5

Notes:

Decra®
Roof Systems Limited
A member of the Icopal Group



Unit 4
Crompton Fields
Crompton Way
Crawley
West Sussex
RH10 9QB

telephone: (01293) 545058/9
fax: (01293) 562709
email: technical@decra.co.uk
web-Site: <http://www.decra.co.uk>

The copyright of this drawing and detail information belongs to Decra Roof Systems Limited. Reproduction or amendment outwith the terms of the licensing agreement by other parties is expressly forbidden.

DECRA ELEGANCE

CONTENT

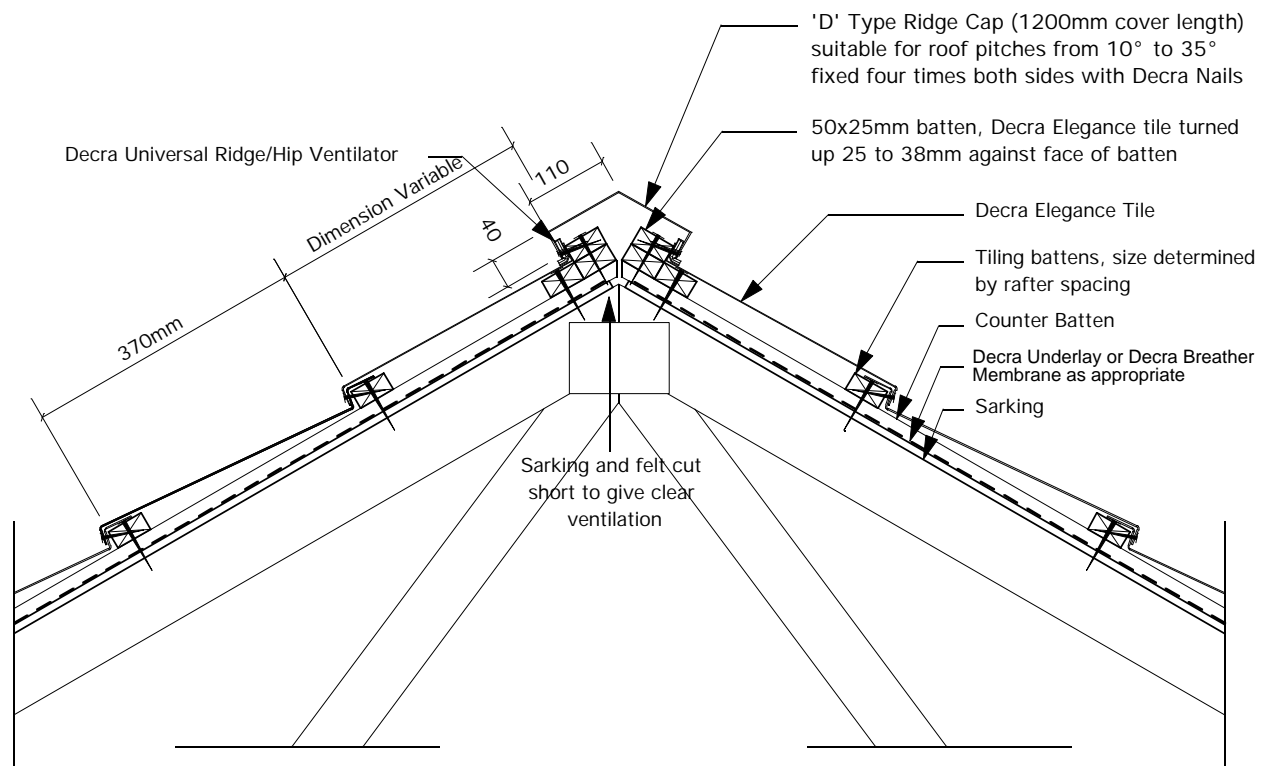
**DECRA ELEGANCE
UNVENTILATED D RIDGE DETAILS**

DRAWING SCALE **1:5/10**

DATE **07/09/98**

DRAWING NO **DESS020**

REVISION



Vented 'D' Ridge Detail
Scale 1:10

Notes:

Decra[®]
Roof Systems Limited

A member of the Icopal Group



Unit 4
Crompton Fields
Crompton Way
Crawley
West Sussex
RH10 9QB

telephone: (01293) 545058/9

fax: (01293) 562709

email: technical@decra.co.uk

web-Site: <http://www.decra.co.uk>

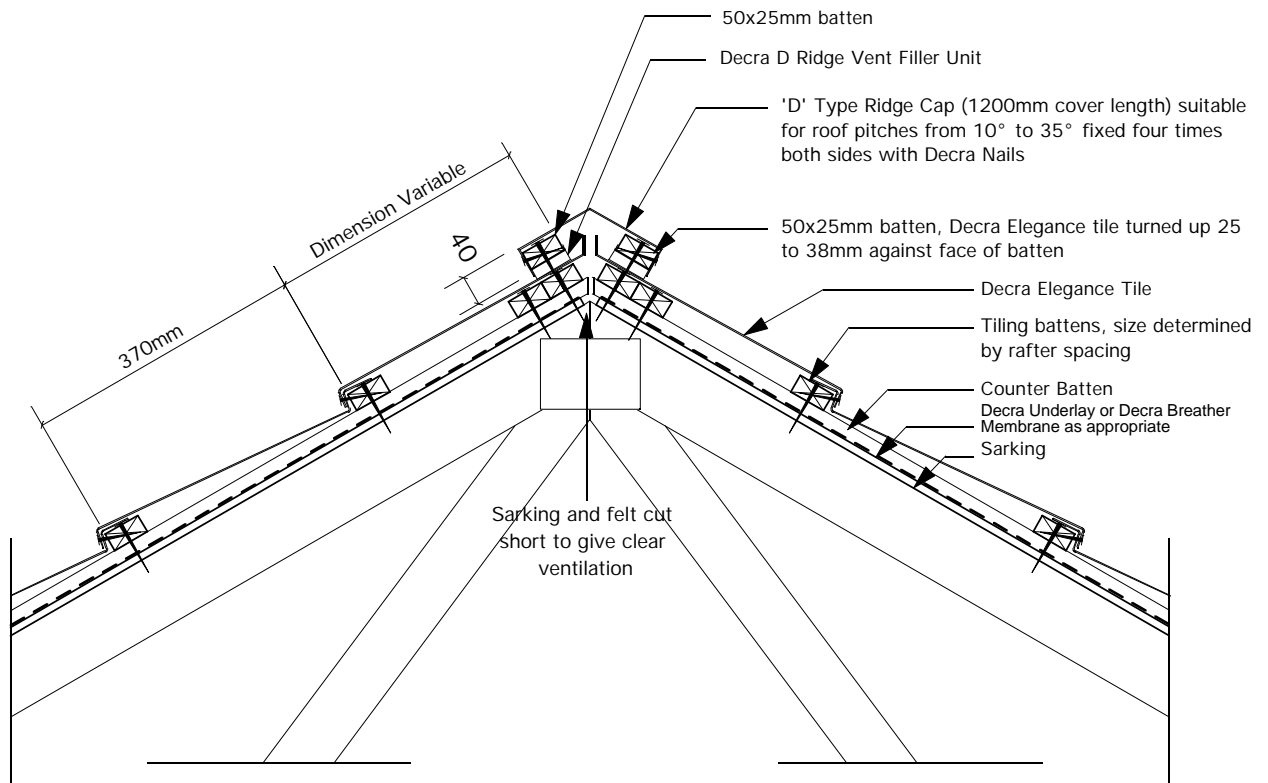
The copyright of this drawing and detail information belongs to Decra Roof Systems Limited. Reproduction or amendment outwith the terms of the licensing agreement by other parties is expressly forbidden.

DECRA ELEGANCE

CONTENT
**DECRA ELEGANCE
VENTILATED D RIDGE DETAIL
USING UNIVERSAL HIP/RIDGE VENTILATOR**

DRAWING SCALE	1:10	DATE	07/09/98
---------------	-------------	------	-----------------

DRAWING NO	DESS021	REVISION	
------------	----------------	----------	--



Vented 'D' Ridge Detail
Scale 1:10

Notes:

Decra[®]
Roof Systems Limited

A member of the Icopal Group



Unit 4
Crompton Fields
Crompton Way
Crawley
West Sussex
RH10 9QB

telephone: (01293) 545058/9

fax: (01293) 562709

email: technical@decra.co.uk

web-Site: <http://www.decra.co.uk>

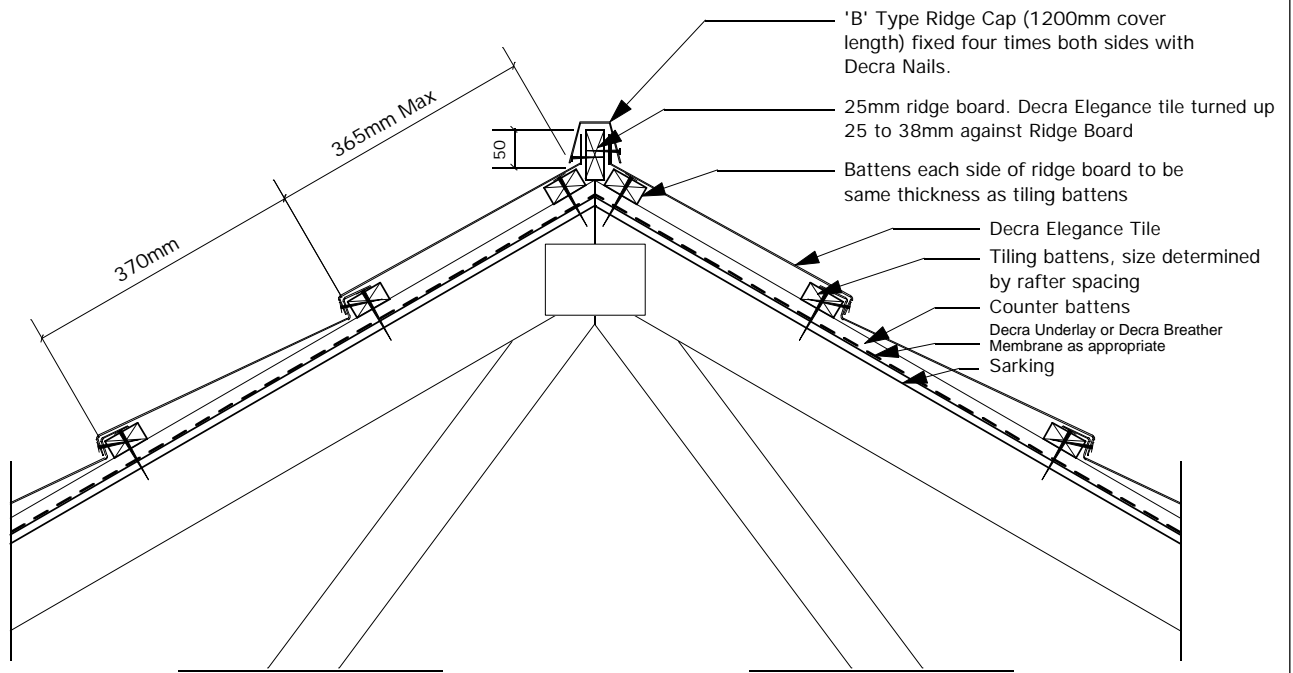
The copyright of this drawing and detail information belongs to Decra Roof Systems Limited. Reproduction or amendment outwith the terms of the licensing agreement by other parties is expressly forbidden.

DECRA ELEGANCE

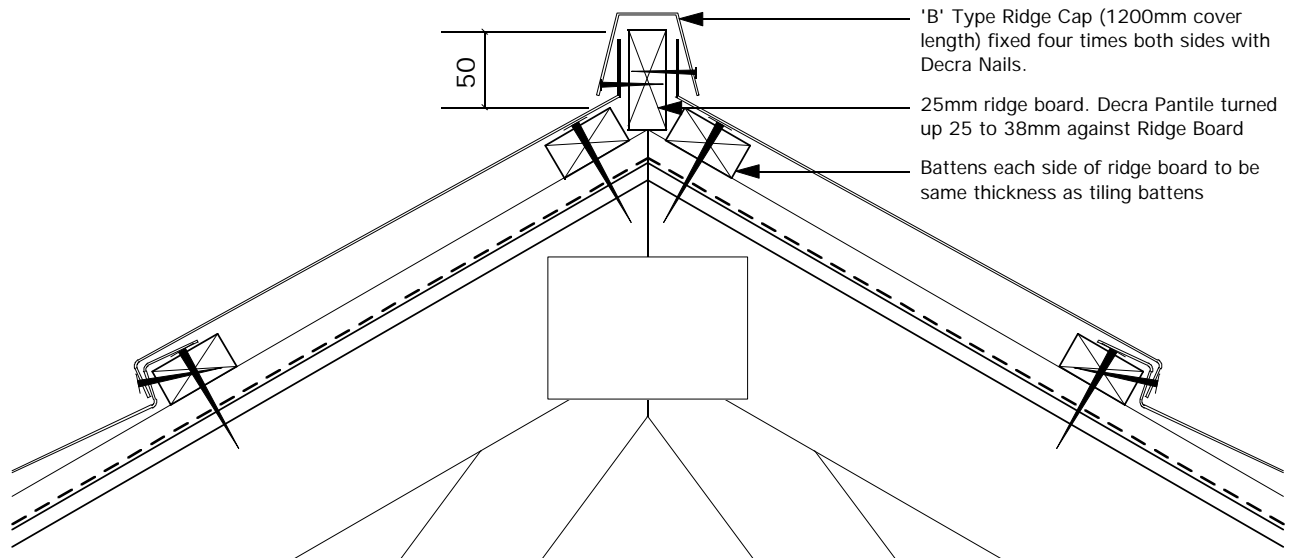
CONTENT
**DECRA ELEGANCE
VENTILATED D RIDGE DETAIL
USING DECRA D RIDGE VENT FILLER UNIT**

DRAWING SCALE **1:10** DATE **07/09/98**

DRAWING NO **DESS022** REVISION



'B' Ridge Detail
Scale 1:10



'B' Ridge Detail
Scale 1:5

Notes:

Decra®
Roof Systems Limited

A member of the Icopal Group



Unit 4
Crompton Fields
Crompton Way
Crawley
West Sussex
RH10 9QB

telephone: (01293) 545058/9

fax: (01293) 562709

email: technical@decra.co.uk

web-Site: <http://www.decra.co.uk>

The copyright of this drawing and detail information belongs to Decra Roof Systems Limited. Reproduction or amendment outwith the terms of the licensing agreement by other parties is expressly forbidden.

DECRA ELEGANCE

CONTENT

**DECRA ELEGANCE
B RIDGE DETAILS**

DRAWING SCALE

1:5/10

DATE

07/09/98

DRAWING NO

DESS023

REVISION

Universal D Ridge/Hip ventilator blanking pieces 1200mm long each side in length along ridge, centred on flue tile centre, to each side of gas flue terminal tile. Ventilation blanking pieces only used if rest of ridge is being ventilated with universal ridge ventilator.

Battens to be cut back to leave minimum 25mm clearance between timber and R Type Flue adapter

D type Ridge Cap with Gas Flue Ridge Terminal.

50x25mm batten, Elegance tile turned up 25mm to 38mm against face of Batten

Decra Elegance Tile

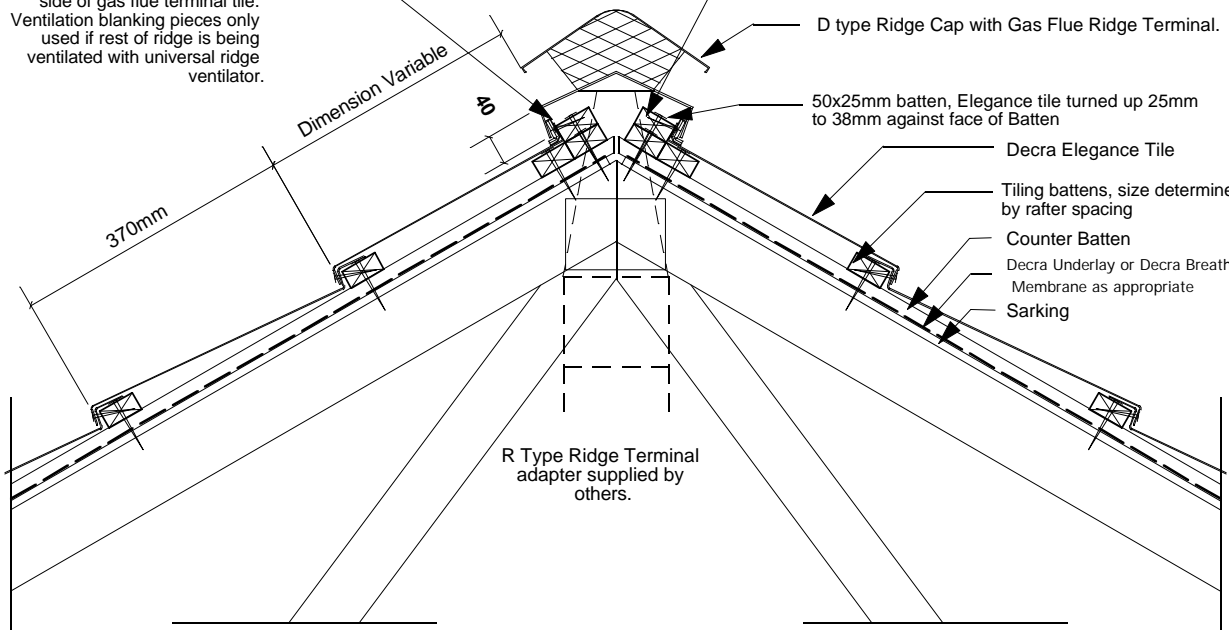
Tiling battens, size determined by rafter spacing

Counter Batten

Decra Underlay or Decra Breather Membrane as appropriate

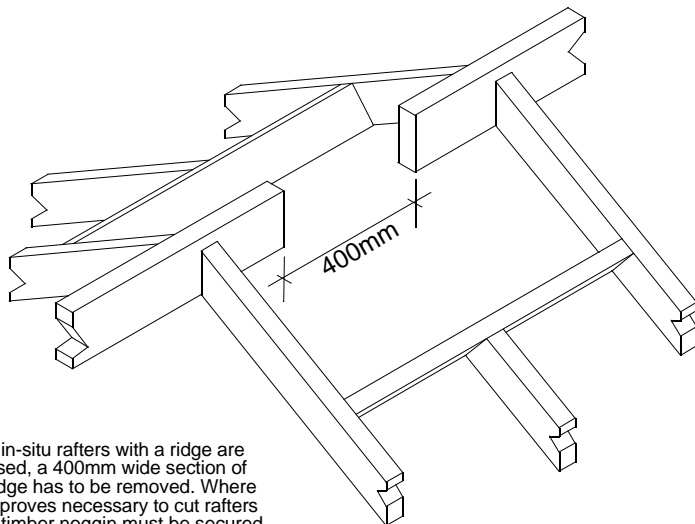
Sarking

R Type Ridge Terminal adapter supplied by others.



Ridge Detail

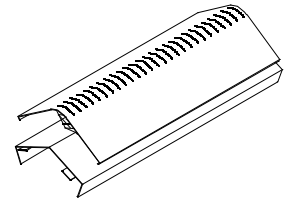
Scale 1:10



If in-situ rafters with a ridge are used, a 400mm wide section of ridge has to be removed. Where it proves necessary to cut rafters a timber noggin must be secured to rafters each side of the ridge.

Cut Ridge Board Detail

Scale 1:20



Flue Component Isometric

Scale 1:20

Notes:

To improve clearance between R Type adapter and flue terminal an extension piece (supplied by others) can be used.

This detail should be read in conjunction with the Gas Flue Terminal Installation Instructions. This is located on the Decra Technical Services CD, or may be obtained from Decra Roof Systems.

Decra®
Roof Systems Limited

A member of the Icopal Group



Unit 4
Crompton Fields
Crompton Way
Crawley
West Sussex
RH10 9QB

telephone: (01293) 545058/9

fax: (01293) 562709

email: technical@decra.co.uk

web-Site: <http://www.decra.co.uk>

The copyright of this drawing and detail information belongs to Decra Roof Systems Limited. Reproduction or amendment outwith the terms of the licensing agreement by other parties is expressly forbidden.

DECRA ELEGANCE

CONTENT

**DECRA ELEGANCE
D RIDGE FLUE TERMINAL**

DRAWING SCALE

1:10/20

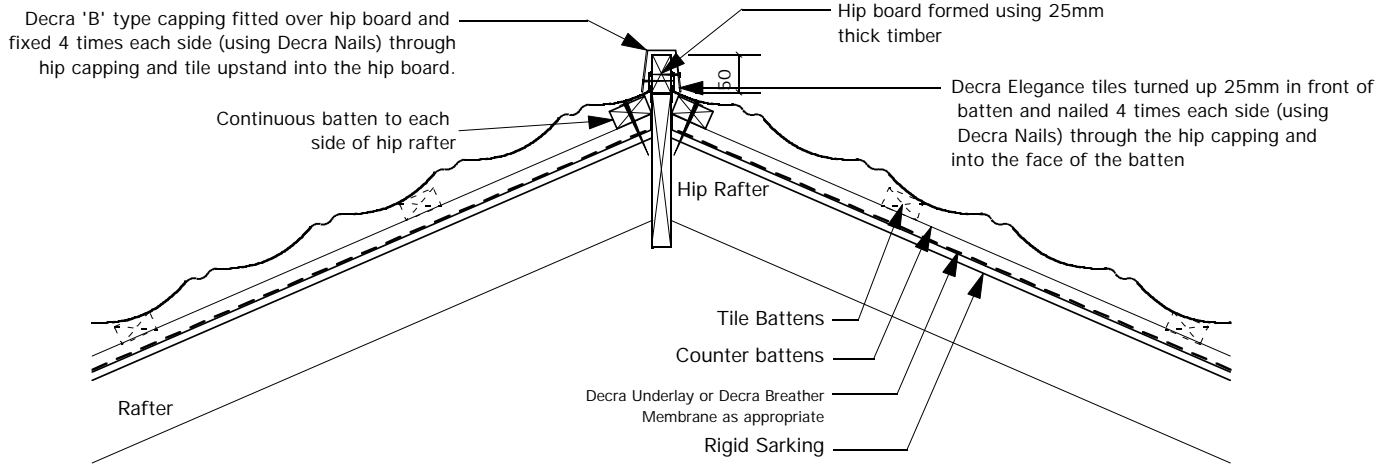
DATE

07/09/98

DRAWING NO

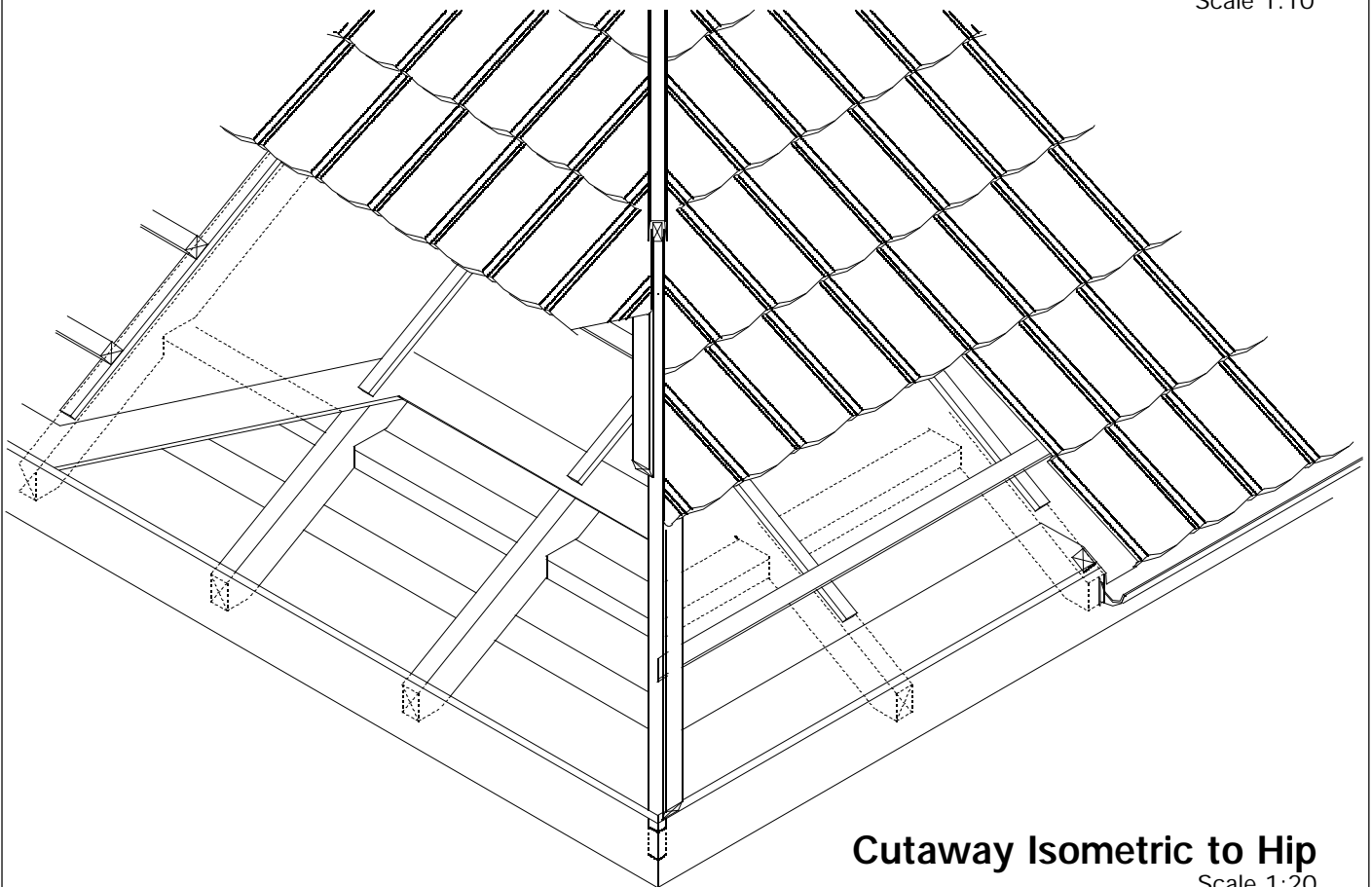
DESS027

REVISION



Hip Detail Using Decra 'B' Ridge

Scale 1:10



Cutaway Isometric to Hip

Scale 1:20

Notes:

Decra[®]
Roof Systems Limited

A member of the Icopal Group



Unit 4
Crompton Fields
Crompton Way
Crawley
West Sussex
RH10 9QB

telephone: (01293) 545058/9

fax: (01293) 562709

email: technical@decra.co.uk

web-Site: <http://www.decra.co.uk>

The copyright of this drawing and detail information belongs to Decra Roof Systems Limited. Reproduction or amendment outwith the terms of the licensing agreement by other parties is expressly forbidden.

DECRA ELEGANCE

CONTENT

**DECRA ELEGANCE
HIP DETAIL USING B TYPE RIDGE**

DRAWING SCALE

1:10/20

DATE

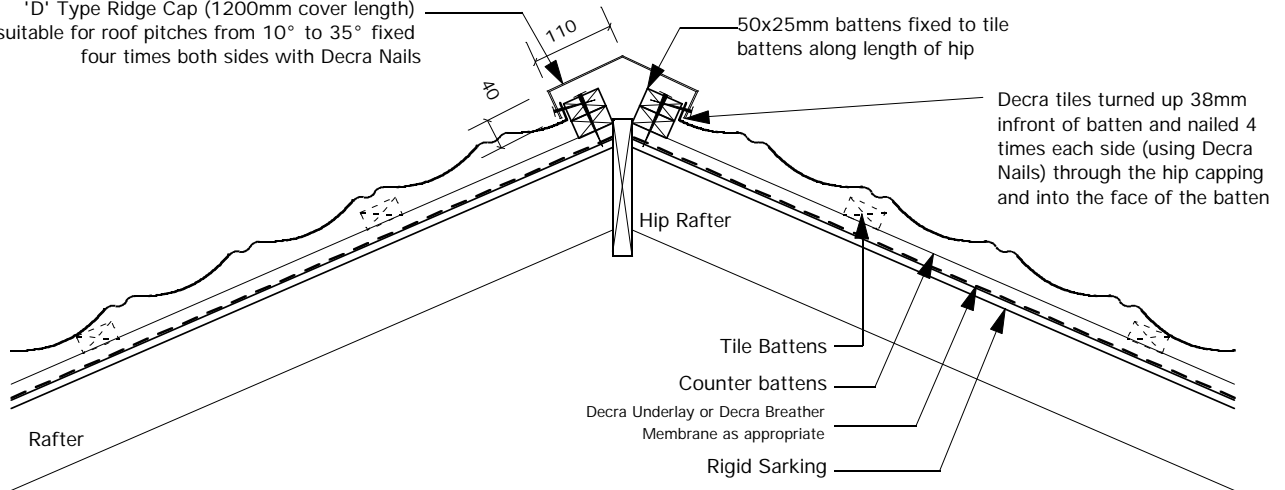
07/09/98

DRAWING NO

DESS030

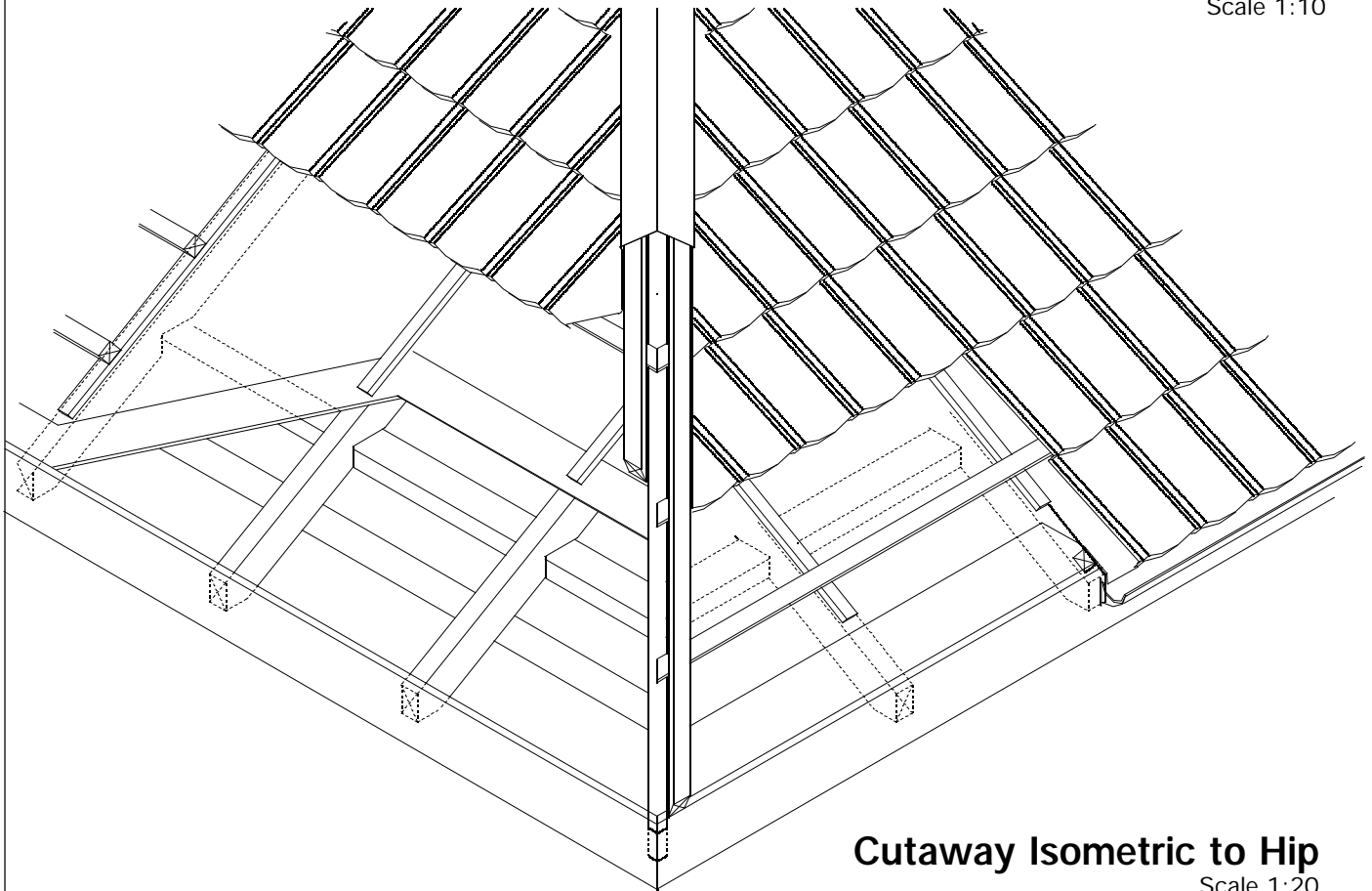
REVISION

'D' Type Ridge Cap (1200mm cover length)
suitable for roof pitches from 10° to 35° fixed
four times both sides with Decra Nails



Hip Detail Using Decra 'D' Ridge

Scale 1:10



Cutaway Isometric to Hip

Scale 1:20

Notes:

Decra 'D' Ridge Hip End Closure Units are available

Decra®
Roof Systems Limited

A member of the Icopal Group



Unit 4
Crompton Fields
Crompton Way
Crawley
West Sussex
RH10 9QB

telephone: (01293) 545058/9

fax: (01293) 562709

email: technical@decra.co.uk

web-Site: <http://www.decra.co.uk>

The copyright of this drawing and detail information belongs to Decra Roof Systems Limited. Reproduction or amendment outwith the terms of the licensing agreement by other parties is expressly forbidden.

DECRA ELEGANCE

CONTENT

**DECRA ELEGANCE
HIP DETAIL USING D TYPE RIDGE**

DRAWING SCALE

1:10/20

DATE

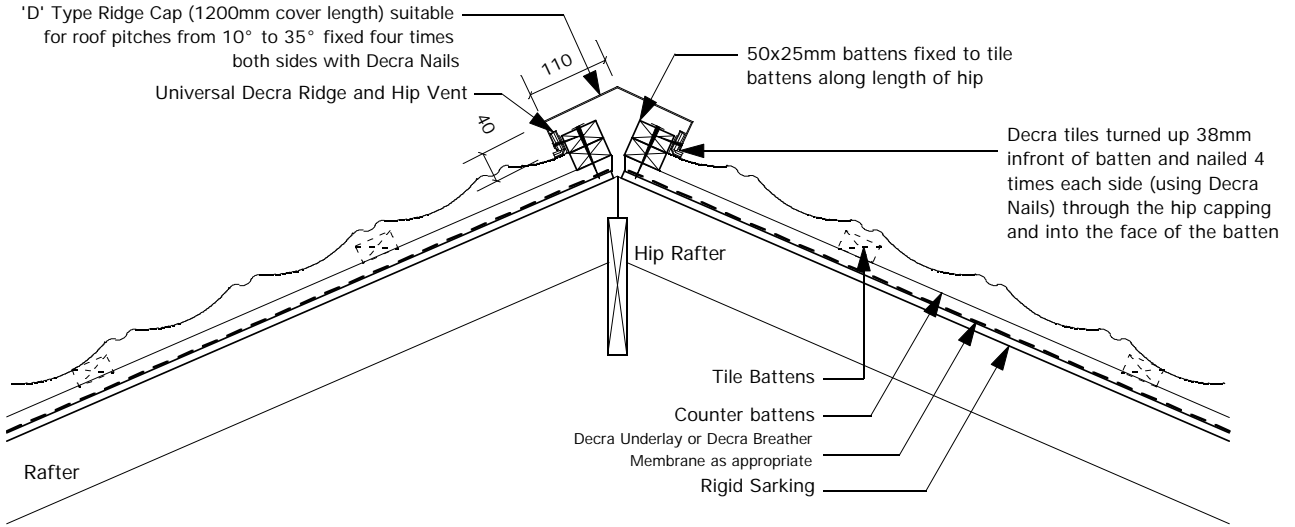
07/09/98

DRAWING NO

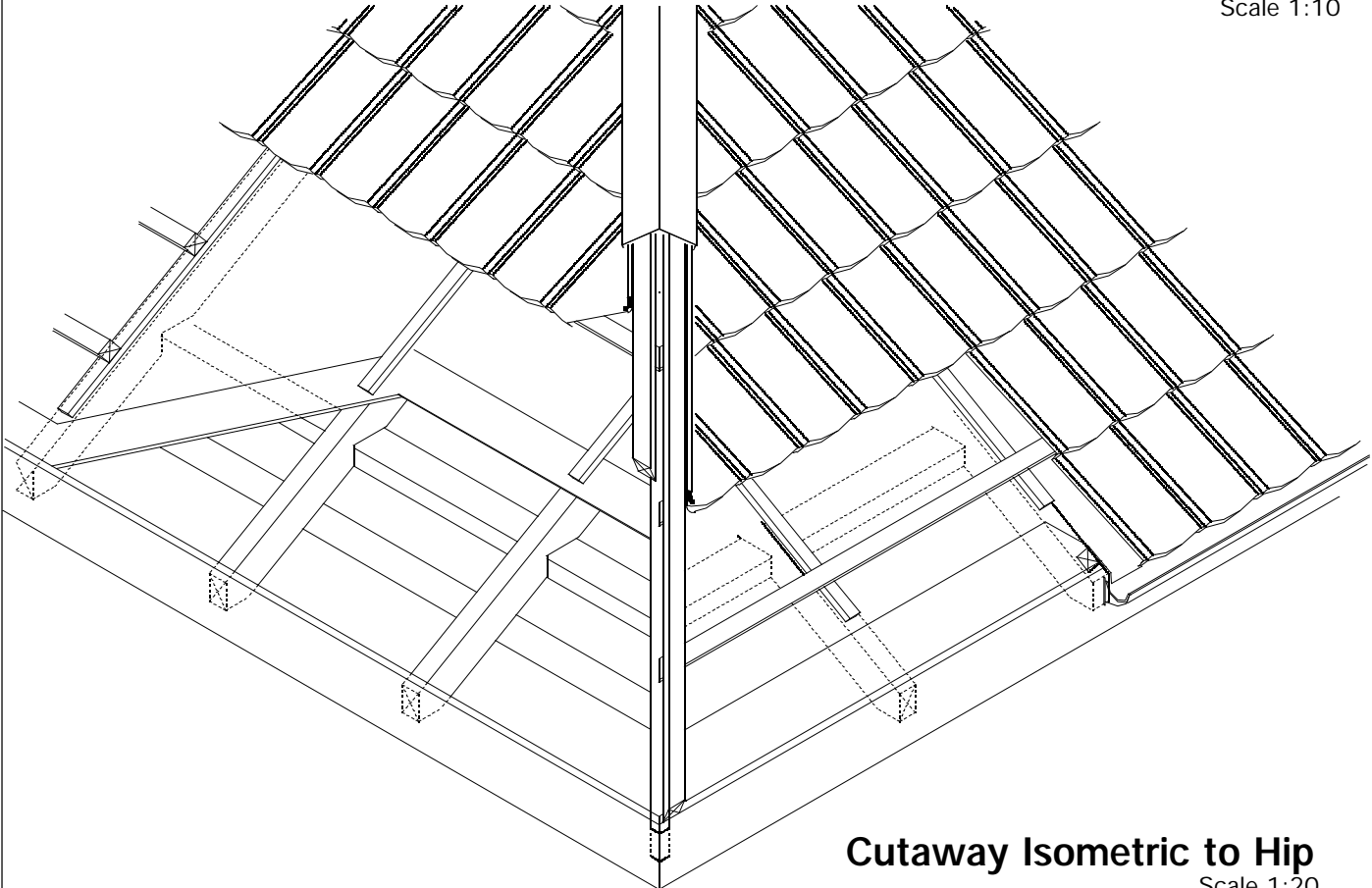
DESS031

REVISION

'D' Type Ridge Cap (1200mm cover length) suitable for roof pitches from 10° to 35° fixed four times both sides with Decra Nails
 Universal Decra Ridge and Hip Vent



Hip Detail Using Decra 'D' Ridge
 Scale 1:10



Cutaway Isometric to Hip
 Scale 1:20

Notes:

Decra 'D' Ridge Hip End Closure Units are available

Decra®
 Roof Systems Limited
 A member of the Icopal Group

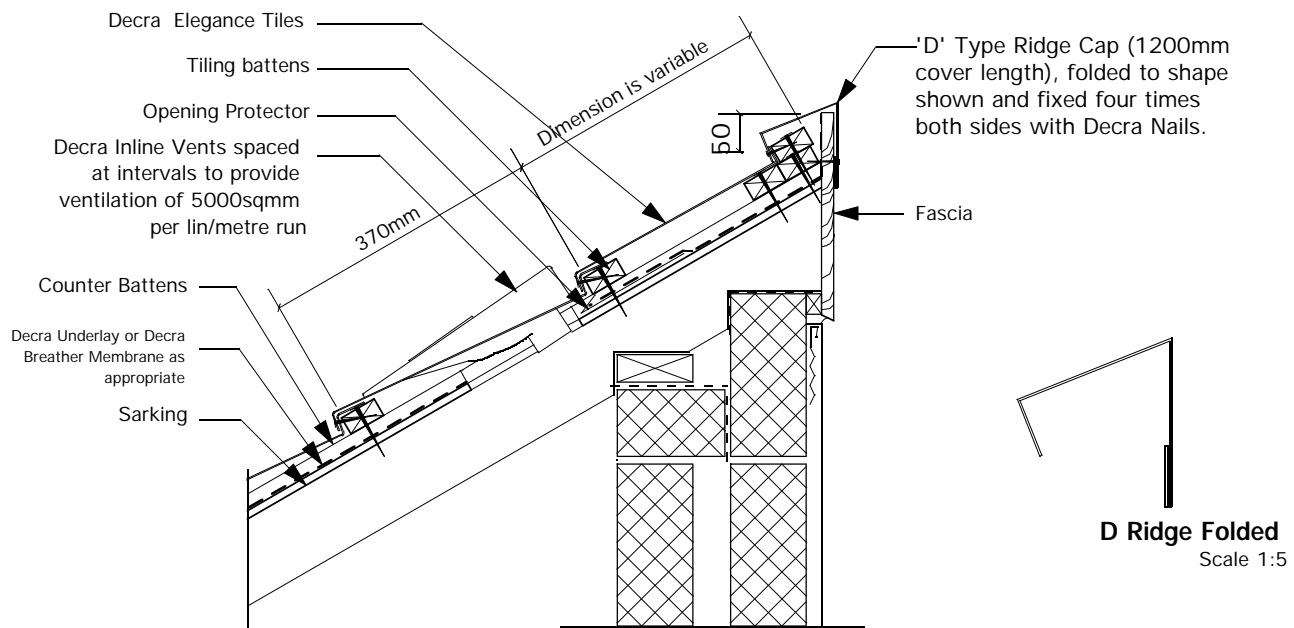


Unit 4
 Crompton Fields
 Crompton Way
 Crawley
 West Sussex
 RH10 9QB

telephone: (01293) 545058/9
 fax: (01293) 562709
 email: technical@decra.co.uk
 web-Site: <http://www.decra.co.uk>

The copyright of this drawing and detail information belongs to Decra Roof Systems Limited. Reproduction or amendment outwith the terms of the licensing agreement by other parties is expressly forbidden.

DECRA ELEGANCE		
CONTENT	DECRA ELEGANCE HIP DETAIL USING D TYPE RIDGE VENTILATED	
DRAWING SCALE	1:10/20	DATE 07/09/98
DRAWING NO	DESS032	REVISION



Mono Ridge Detail
Scale 1:10

Notes:

This detail suitable up to maximum 35° only

Decra®
Roof Systems Limited

A member of the Icopal Group



Unit 4
Crompton Fields
Crompton Way
Crawley
West Sussex
RH10 9QB

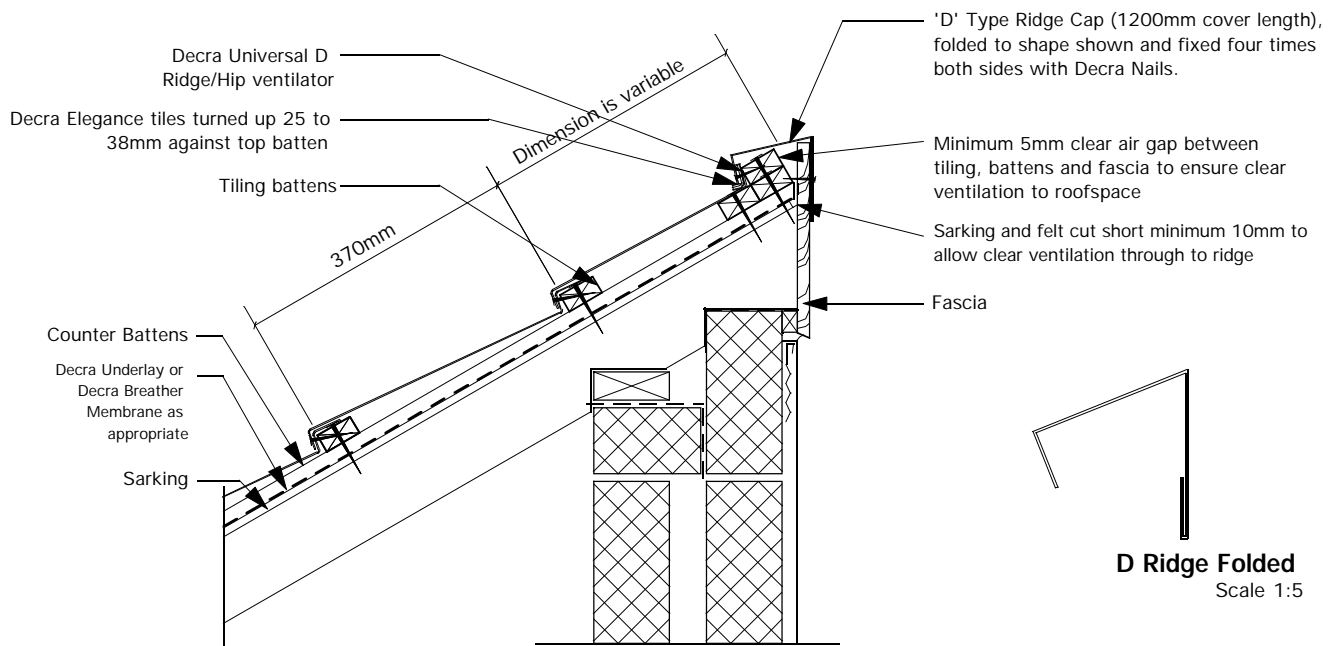
telephone: (01293) 545058/9
fax: (01293) 562709

email: technical@decra.co.uk
web-Site: <http://www.decra.co.uk>

The copyright of this drawing and detail information belongs to Decra Roof Systems Limited. Reproduction or amendment outwith the terms of the licensing agreement by other parties is expressly forbidden.

DECRA ELEGANCE

CONTENT	DECRA ELEGANCE MONO RIDGE DETAIL (D TYPE RIDGE)	
DRAWING SCALE	1:10	DATE 07/09/98
DRAWING NO	DESS040	REVISION



Mono Ridge Detail
Scale 1:10

Notes:

This detail suitable up to maximum 35° only

Decra®
Roof Systems Limited

A member of the Icopal Group



Unit 4
Crompton Fields
Crompton Way
Crawley
West Sussex
RH10 9QB

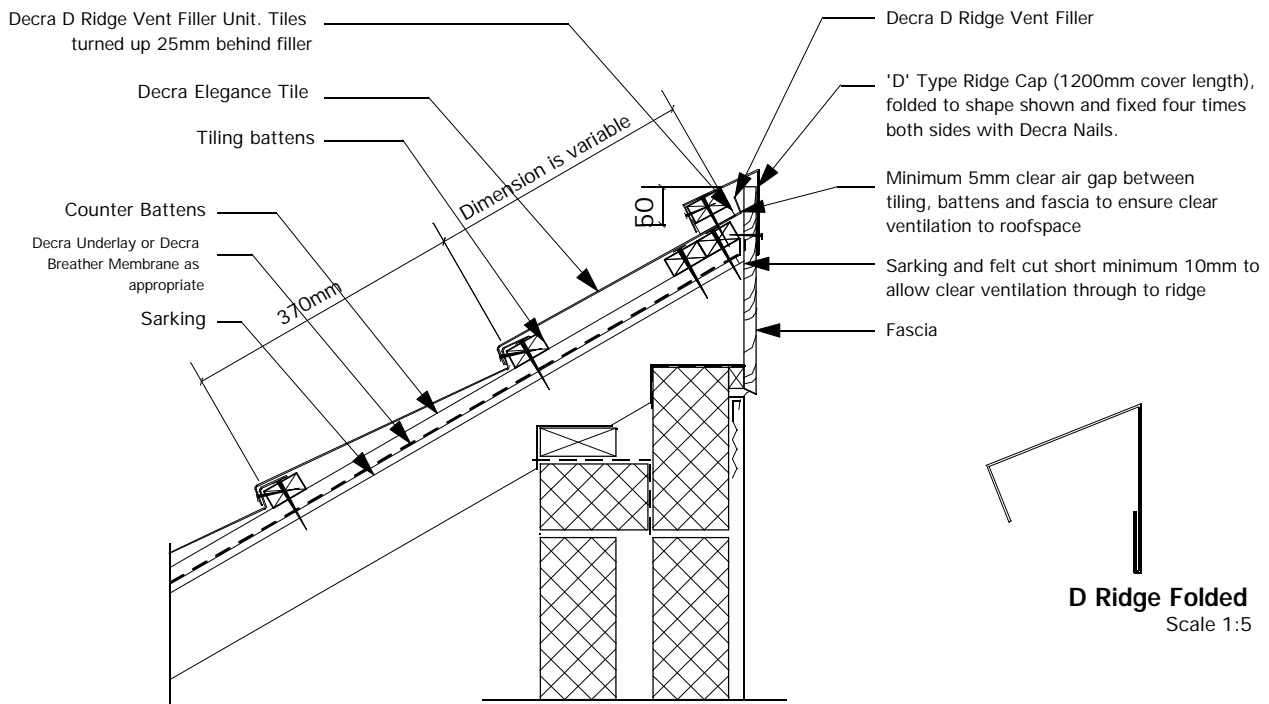
telephone: (01293) 545058/9
fax: (01293) 562709
email: technical@decra.co.uk
web-Site: <http://www.decra.co.uk>

The copyright of this drawing and detail information belongs to Decra Roof Systems Limited. Reproduction or amendment outwith the terms of the licensing agreement by other parties is expressly forbidden.

DECRA ELEGANCE

CONTENT
**DECRA ELEGANCE
MONO RIDGE DETAIL
D RIDGE WITH UNIVERSAL D HIP/RIDGE VENT**

DRAWING SCALE	1:10	DATE	07/09/98
DRAWING NO	DESS041	REVISION	



Mono Ridge Detail
Scale 1:10

Notes:

This detail suitable up to maximum 35° only

Decra®
Roof Systems Limited

A member of the Icopal Group



Unit 4
Crompton Fields
Crompton Way
Crawley
West Sussex
RH10 9QB

telephone: (01293) 545058/9

fax: (01293) 562709

email: technical@decra.co.uk

web-Site: <http://www.decra.co.uk>

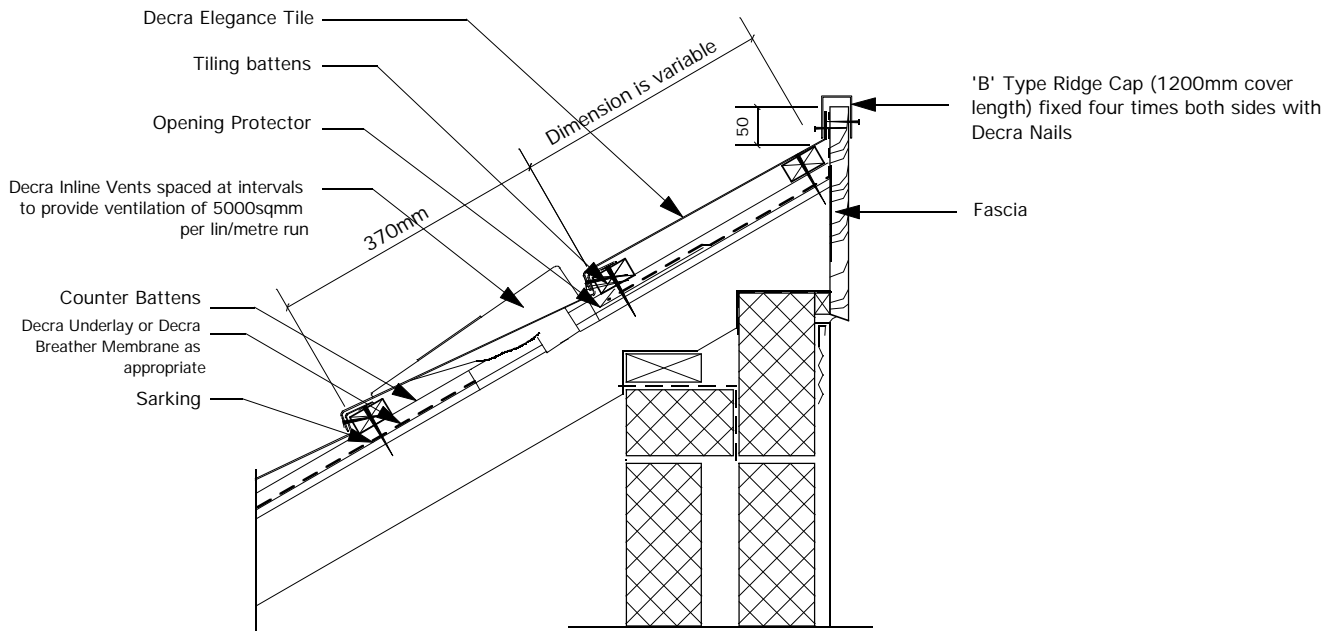
The copyright of this drawing and detail information belongs to Decra Roof Systems Limited. Reproduction or amendment outwith the terms of the licensing agreement by other parties is expressly forbidden.

DECRA ELEGANCE

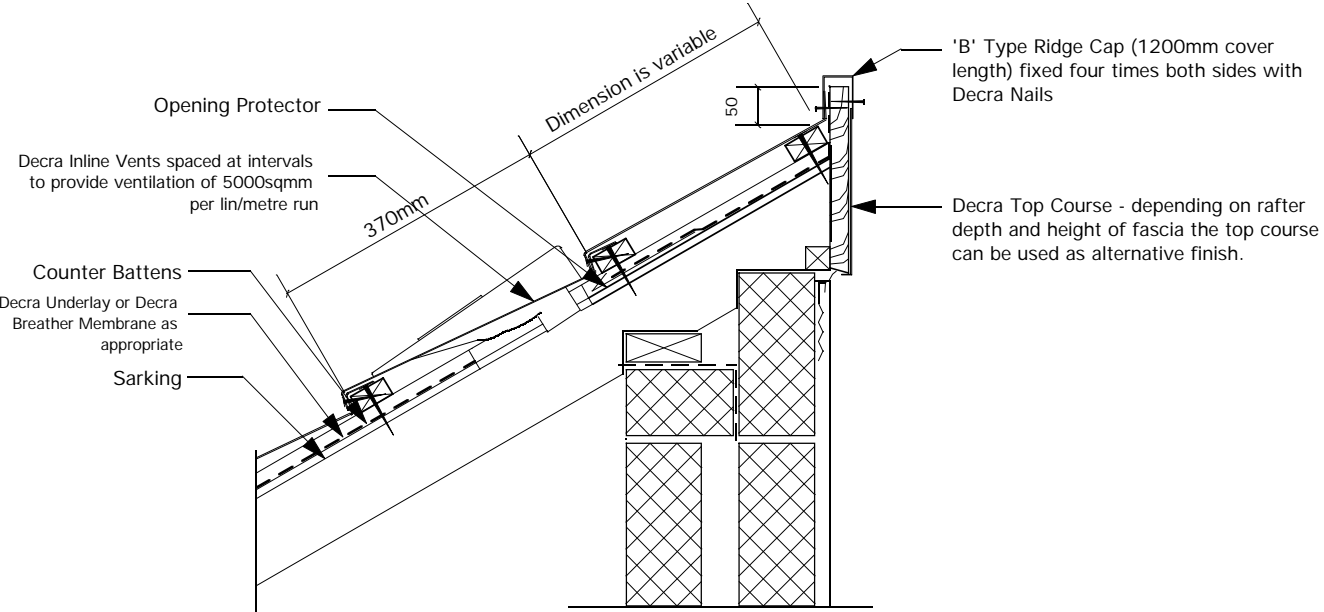
CONTENT
**DECRA ELEGANCE
MONO-RIDGE DETAIL
D TYPE RIDGE USING D RIDGE VENT FILLER**

DRAWING SCALE	1:10	DATE	07/09/98
---------------	-------------	------	-----------------

DRAWING NO	DESS042	REVISION	
------------	----------------	----------	--



Mono Ridge Detail
Scale 1:10



Alternative Mono Ridge Detail
Scale 1:10

Notes:

Decra[®]
Roof Systems Limited
A member of the Icopal Group

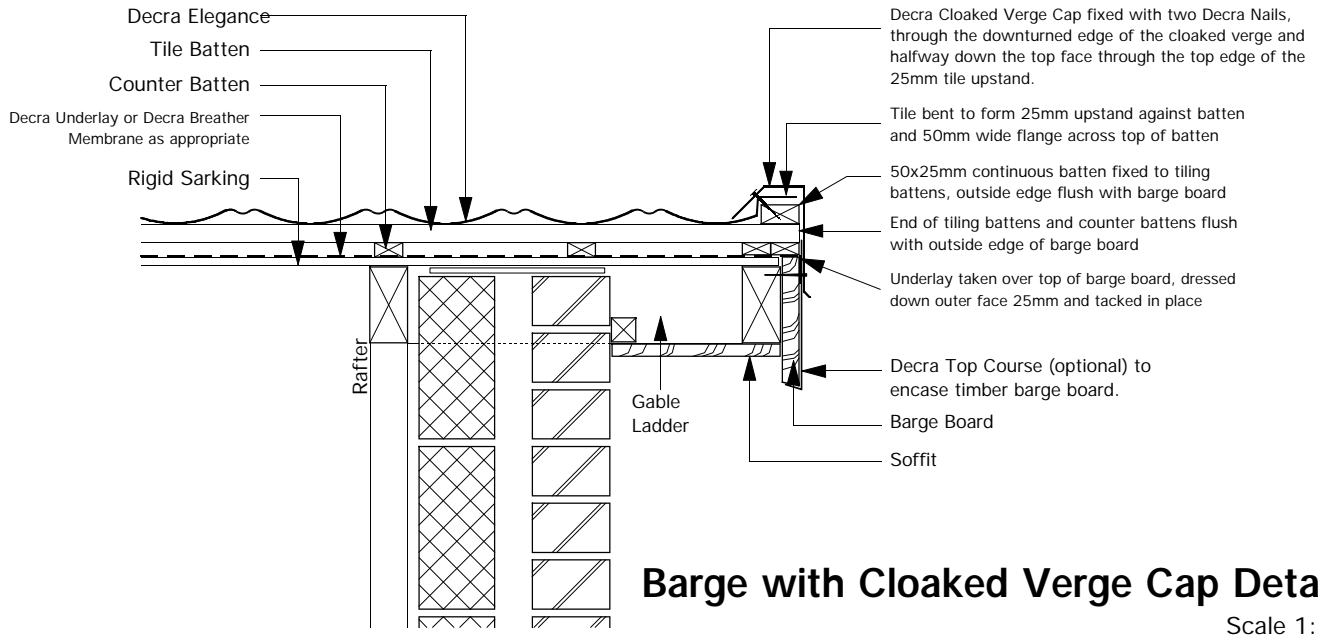


Unit 4
Crompton Fields
Crompton Way
Crawley
West Sussex
RH10 9QB

telephone: (01293) 545058/9
fax: (01293) 562709
email: technical@decra.co.uk
web-Site: <http://www.decra.co.uk>

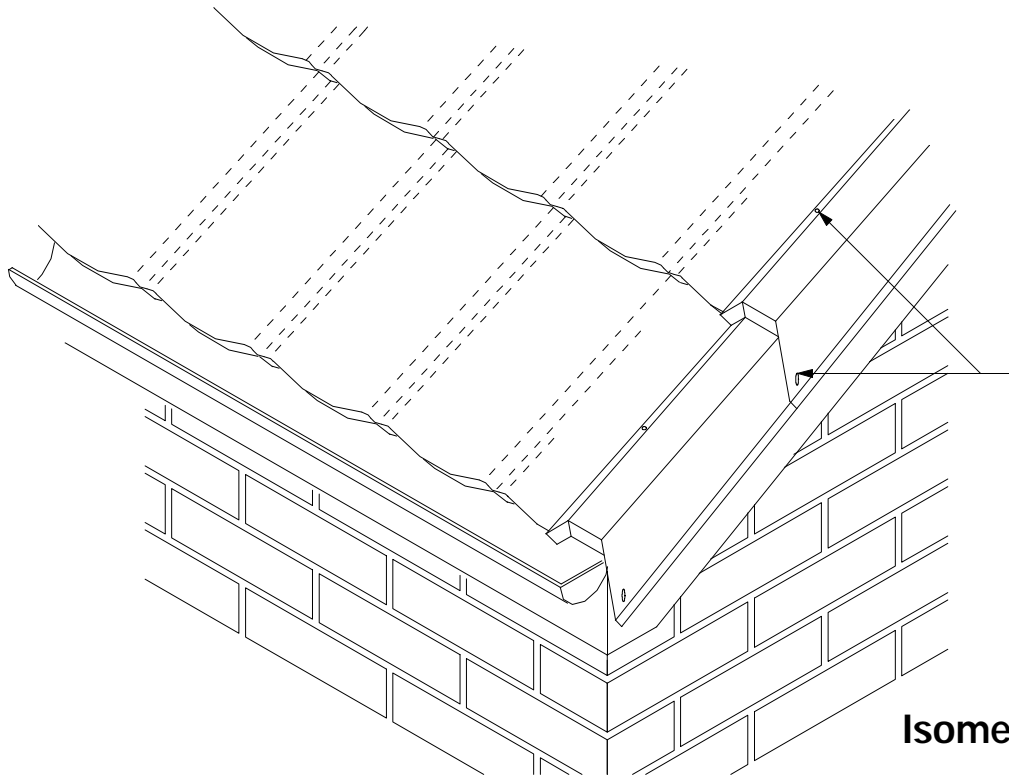
The copyright of this drawing and detail information belongs to Decra Roof Systems Limited. Reproduction or amendment outwith the terms of the licensing agreement by other parties is expressly forbidden.

DECRA ELEGANCE		
CONTENT	DECRA ELEGANCE MONO-RIDGE DETAILS (B TYPE RIDGE)	
DRAWING SCALE	1:10	DATE 07/09/98
DRAWING NO	DESS044	REVISION



Barge with Cloaked Verge Cap Detail

Scale 1:10



Decra Cloaked Verge Cap fixed with two Decra Nails, through the downturned edge of the cloaked verge and halfway down the top face through the top edge of the 25mm tile upstand.

Isometric Detail at Gutter

Scale 1:10

Notes:

Decra[®]
Roof Systems Limited
A member of the Icopal Group

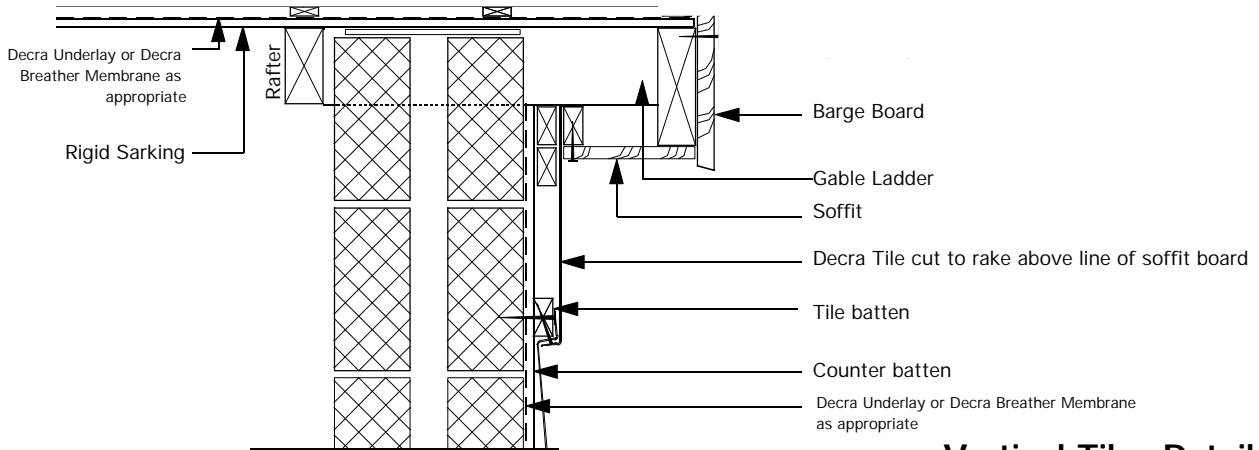
**ico
pal**

Unit 4
Crompton Fields
Crompton Way
Crawley
West Sussex
RH10 9QB

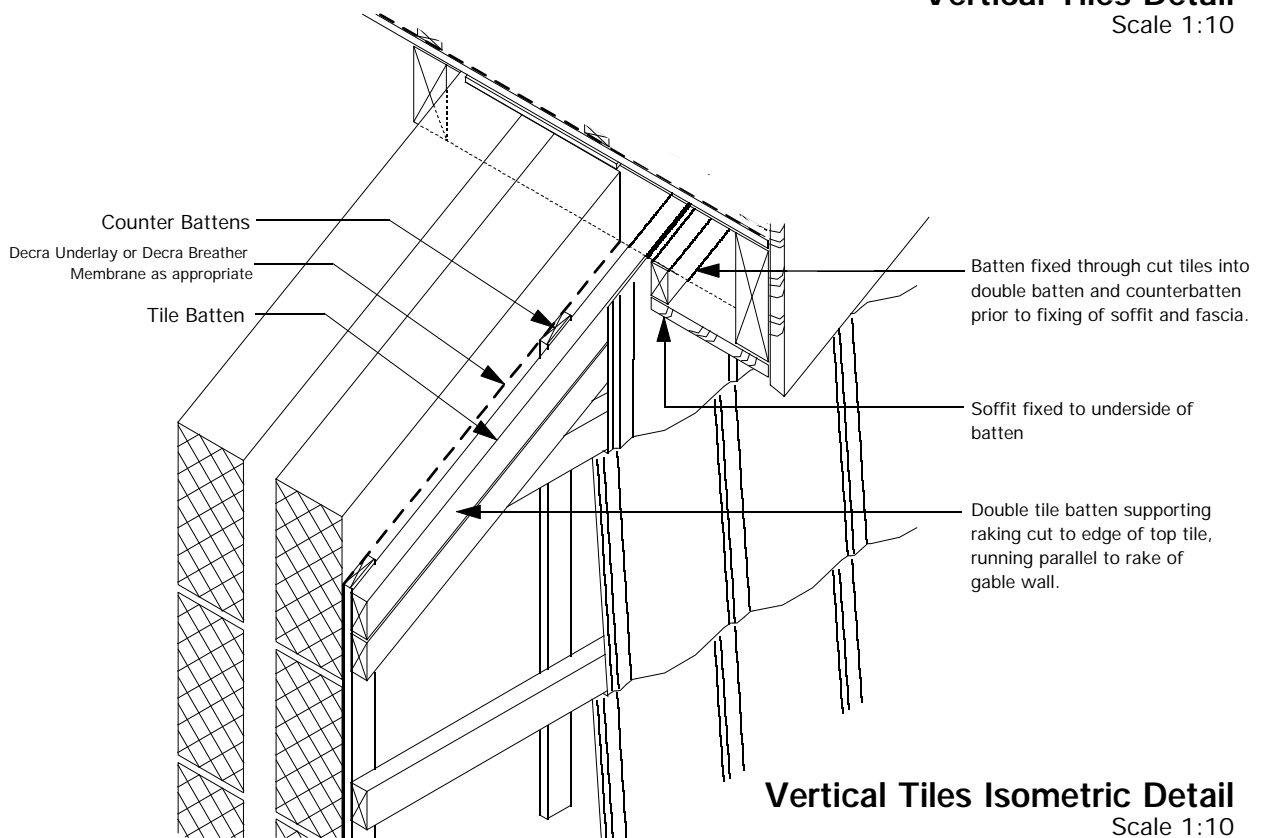
telephone: (01293) 545058/9
fax: (01293) 562709
email: technical@decra.co.uk
web-Site: <http://www.decra.co.uk>

The copyright of this drawing and detail information belongs to Decra Roof Systems Limited. Reproduction or amendment outwith the terms of the licensing agreement by other parties is expressly forbidden.

DECRA ELEGANCE			
CONTENT		DECRA ELEGANCE CLOAKED VERGE CAP DETAIL	
DRAWING SCALE	1:10	DATE	12/01/04
DRAWING NO	DESS049	REVISION	



Vertical Tiles Detail
Scale 1:10



Vertical Tiles Isometric Detail
Scale 1:10

Notes:

Decra[®]
Roof Systems Limited

A member of the Icopal Group



Unit 4
Crompton Fields
Crompton Way
Crawley
West Sussex
RH10 9QB

telephone: (01293) 545058/9

fax: (01293) 562709

email: technical@decra.co.uk

web-Site: <http://www.decra.co.uk>

The copyright of this drawing and detail information belongs to Decra Roof Systems Limited. Reproduction or amendment outwith the terms of the licensing agreement by other parties is expressly forbidden.

DECRA ELEGANCE

CONTENT

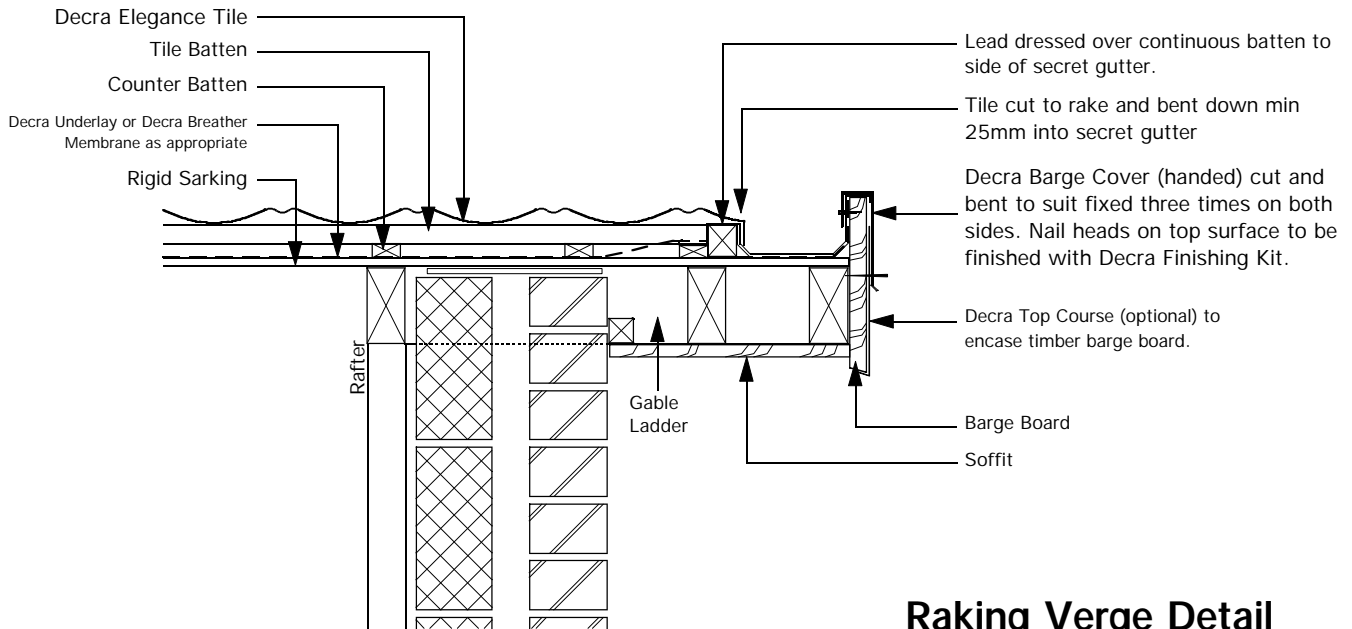
**DECRA ELEGANCE
VERTICAL TILING DETAIL**

DRAWING SCALE **1:10**

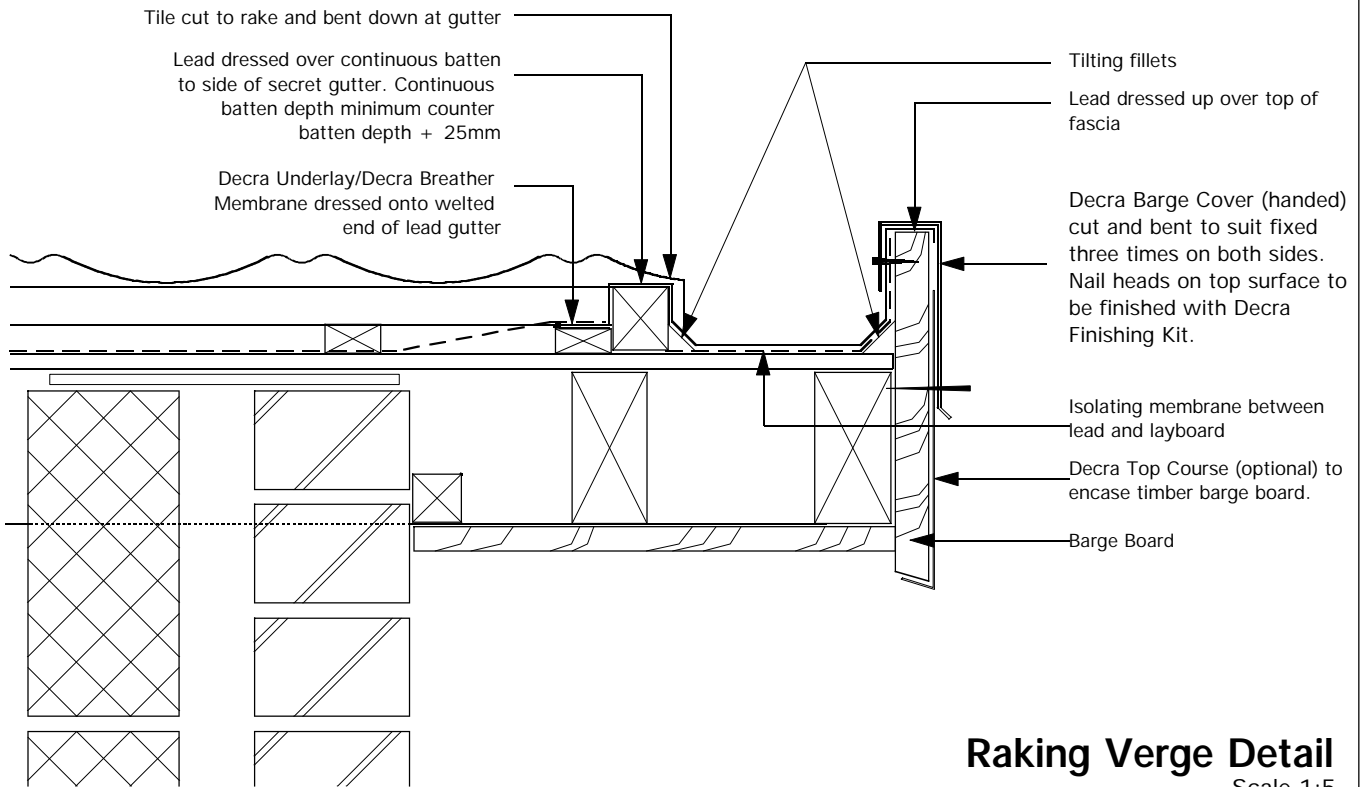
DATE **07/09/98**

DRAWING NO **DESS051**

REVISION



Raking Verge Detail
Scale 1:10



Raking Verge Detail
Scale 1:5

Notes:

Gutter width and depth shown are indicative.
Valley gutter sizes to be adjusted as required to comply with calculated width requirements of Code Of Practice as set out in BS 5534: Part1 and BS 6367

Decra[®]
Roof Systems Limited

A member of the Icopal Group



Unit 4
Crompton Fields
Crompton Way
Crawley
West Sussex
RH10 9QB

telephone: (01293) 545058/9
fax: (01293) 562709

email: technical@decra.co.uk
web-Site: <http://www.decra.co.uk>

The copyright of this drawing and detail information belongs to Decra Roof Systems Limited. Reproduction or amendment outwith the terms of the licensing agreement by other parties is expressly forbidden.

DECRA ELEGANCE

CONTENT

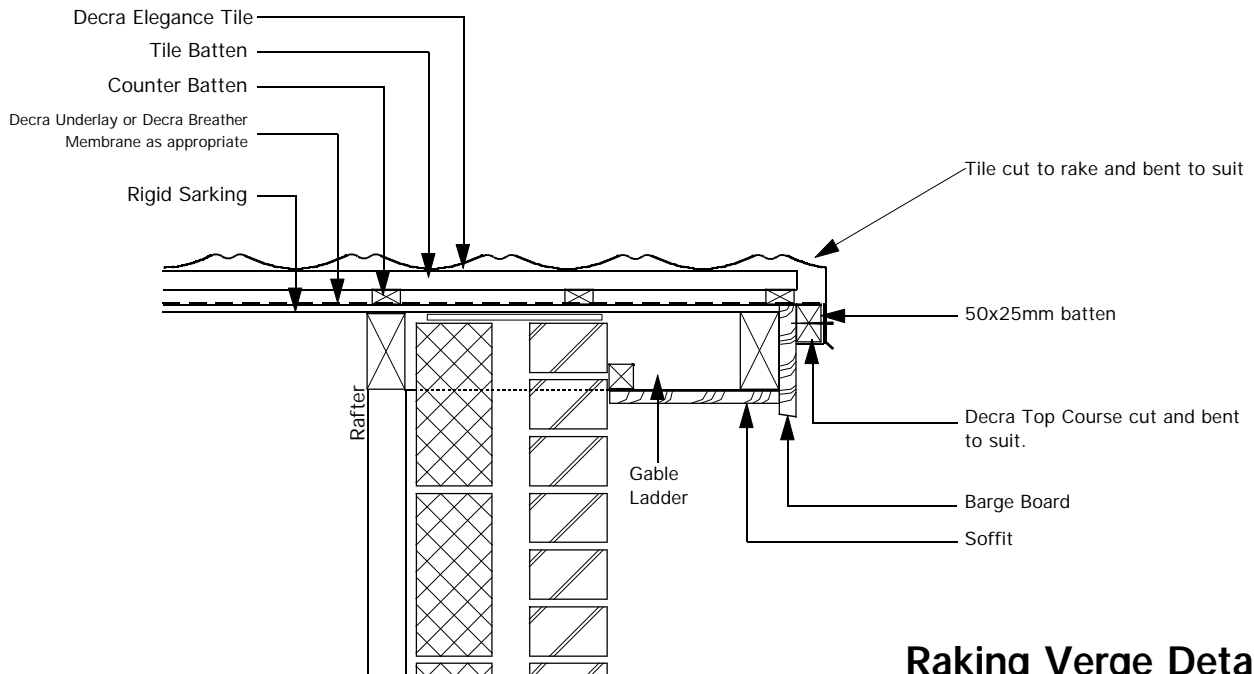
**DECRA ELEGANCE
RAKING VERGE - INTERNAL GUTTER**

DRAWING SCALE **1:10**

DATE **07/02/01**

DRAWING NO **DESS053**

REVISION



Raking Verge Detail
Scale 1:10

Notes:

Consideration should be given to the method of adequately draining rainwater run-off from the roof when using this detail. Where an external gutter is to be used the manufacturer's recommendations regarding minimum and maximum falls should be strictly adhered to.

Decra®
Roof Systems Limited
A member of the Icopal Group



Unit 4
Crompton Fields
Crompton Way
Crawley
West Sussex
RH10 9QB

telephone: (01293) 545058/9
fax: (01293) 562709
email: technical@decra.co.uk
web-Site: <http://www.decra.co.uk>

The copyright of this drawing and detail information belongs to Decra Roof Systems Limited. Reproduction or amendment outwith the terms of the licensing agreement by other parties is expressly forbidden.

DECRA ELEGANCE

CONTENT

**DECRA ELEGANCE
RAKING VERGE DETAIL**

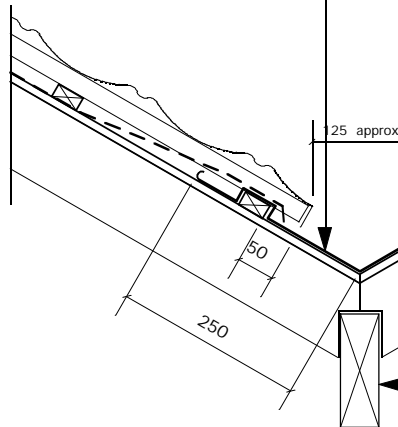
DRAWING SCALE **1:10**

DATE **07/02/01**

DRAWING NO **DESS054**

REVISION

Lead valley tray (by others) taken over batten and welded as shown



Decra Elegance tiles cut to rake and bent down at valley

Tile batten
Counter batten
Decra Underlay or Decra Breather Membrane as appropriate
Rigid sarking

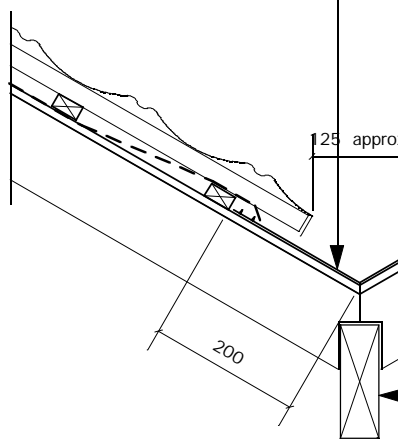
Continuous batten to each side of valley gutter

Rafter
Valley rafter

Lead Valley Detail

Scale 1:10

Preformed GRP Valley tray, Thickness of counter battens to suit.



Decra Elegance tiles cut to rake and bent down at valley

Tile batten
Counter batten
Decra Underlay or Decra Breather Membrane as appropriate
Rigid sarking

Continuous batten to each side of valley gutter

Rafter
Valley rafter

GRP Valley Detail

Scale 1:10

Notes:

Valley gutter sizes to be adjusted as required to comply with calculated width requirements of Code Of Practice as set out in BS 5534: Part 1

Decra[®]
Roof Systems Limited
A member of the Icopal Group



Unit 4
Crompton Fields
Crompton Way
Crawley
West Sussex
RH10 9QB

telephone: (01293) 545058/9
fax: (01293) 562709
email: technical@decra.co.uk
web-Site: <http://www.decra.co.uk>

DECRA ELEGANCE

DECRA ELEGANCE VALLEY GUTTER DETAILS

CONTENT

DRAWING SCALE

1:10

DATE

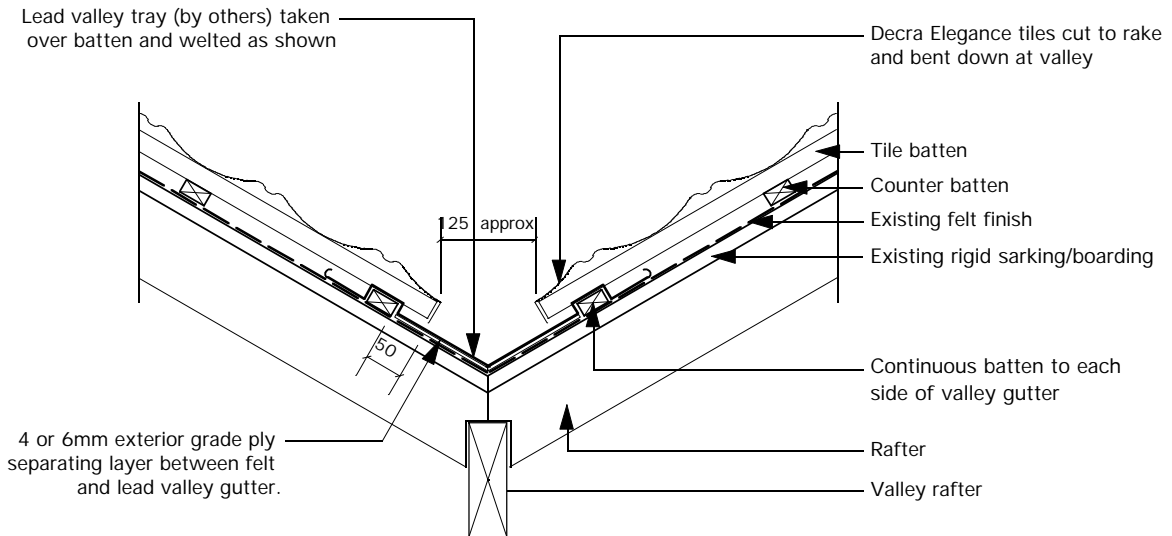
07/09/98

DRAWING NO

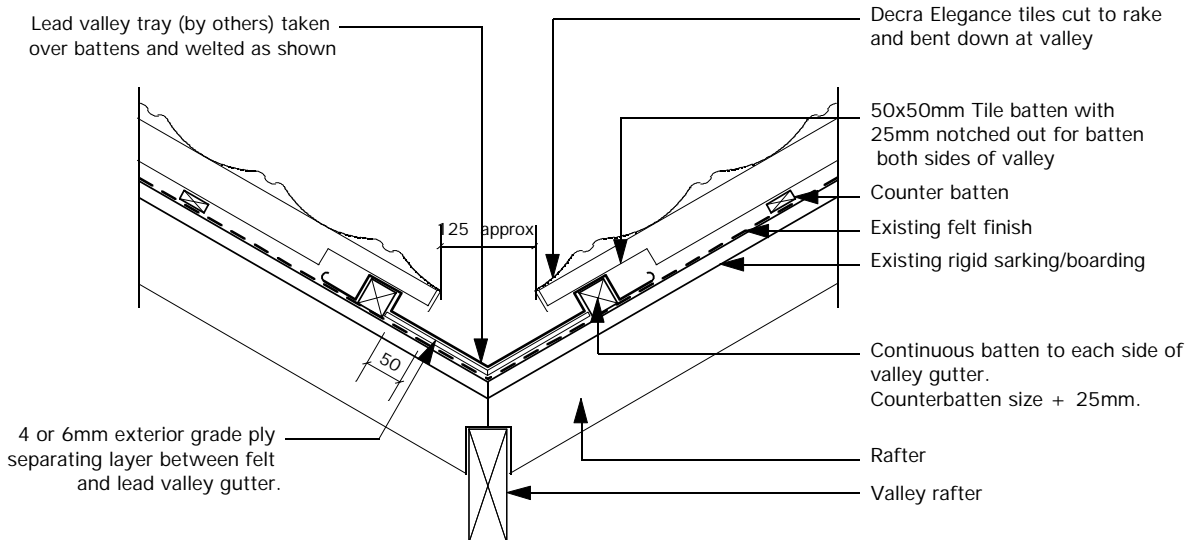
DESS055

REVISION

The copyright of this drawing and detail information belongs to Decra Roof Systems Limited. Reproduction or amendment outwith the terms of the licensing agreement by other parties is expressly forbidden.



Lead Valley Detail On Felt or Boarded Roof
Scale 1:10



Lead Valley Detail using 50x50mm Tile Battens
Scale 1:10

Notes:

Valley gutter sizes to be adjusted as required to comply with calculated width requirements of Code Of Practice as set out in BS 5534: Part 1

Decra®
Roof Systems Limited
A member of the Icopal Group



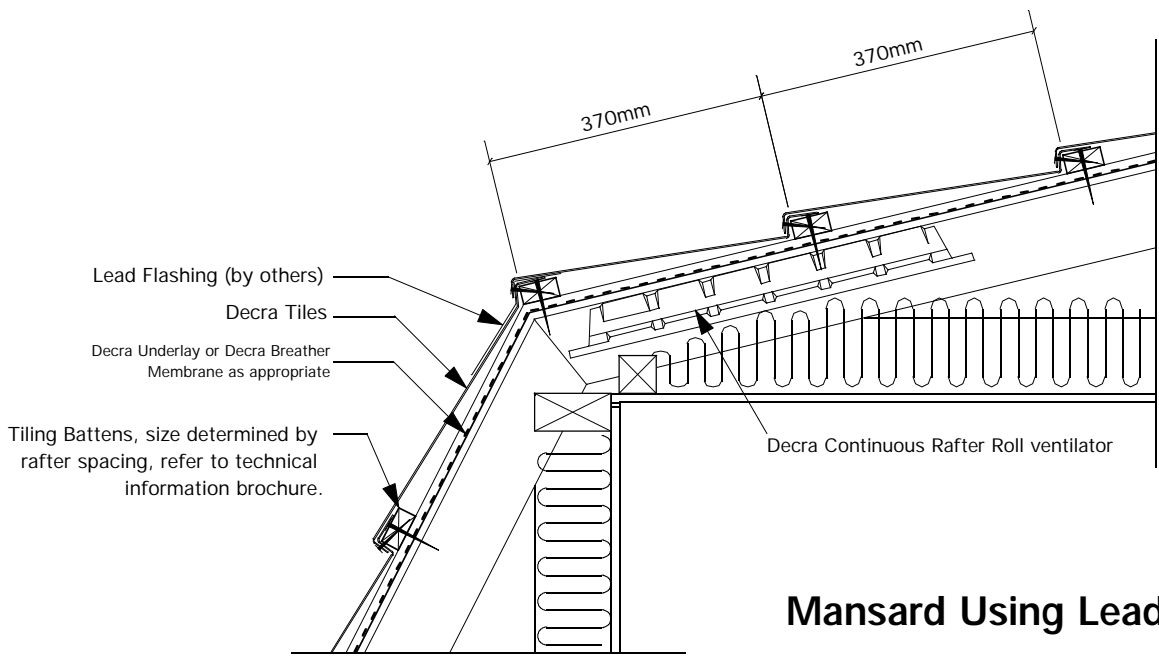
Unit 4
Crompton Fields
Crompton Way
Crawley
West Sussex
RH10 9QB

telephone: (01293) 545058/9
fax: (01293) 562709
email: technical@decra.co.uk
web-Site: <http://www.decra.co.uk>

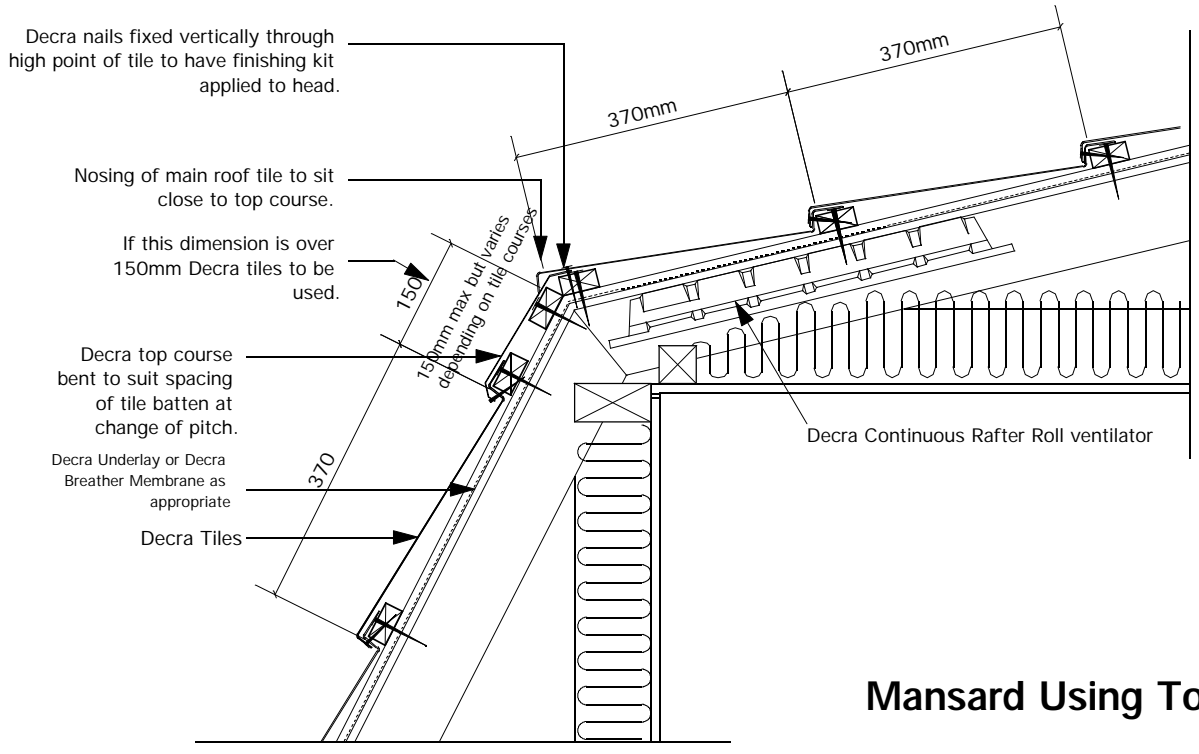
The copyright of this drawing and detail information belongs to Decra Roof Systems Limited. Reproduction or amendment outwith the terms of the licensing agreement by other parties is expressly forbidden.

DECRA ELEGANCE

CONTENT	DECRA ELEGANCE VALLEY GUTTER DETAILS TO FELTED/BOARDED ROOF	
DRAWING SCALE	1:10	DATE 07/09/98
DRAWING NO	DTSS056	REVISION



Mansard Using Lead Flashing
Scale 1:10



Mansard Using Top Course
Scale 1:10

Notes:

In re-roofing projects the Continuous Rafter Roll cannot be laid without partial removal of the sarking for access. If partial removal of the sarking is not possible or desirable some other method of ensuring clear ventilation between insulation and sarking should be employed.

Decra®
Roof Systems Limited
A member of the Icopal Group



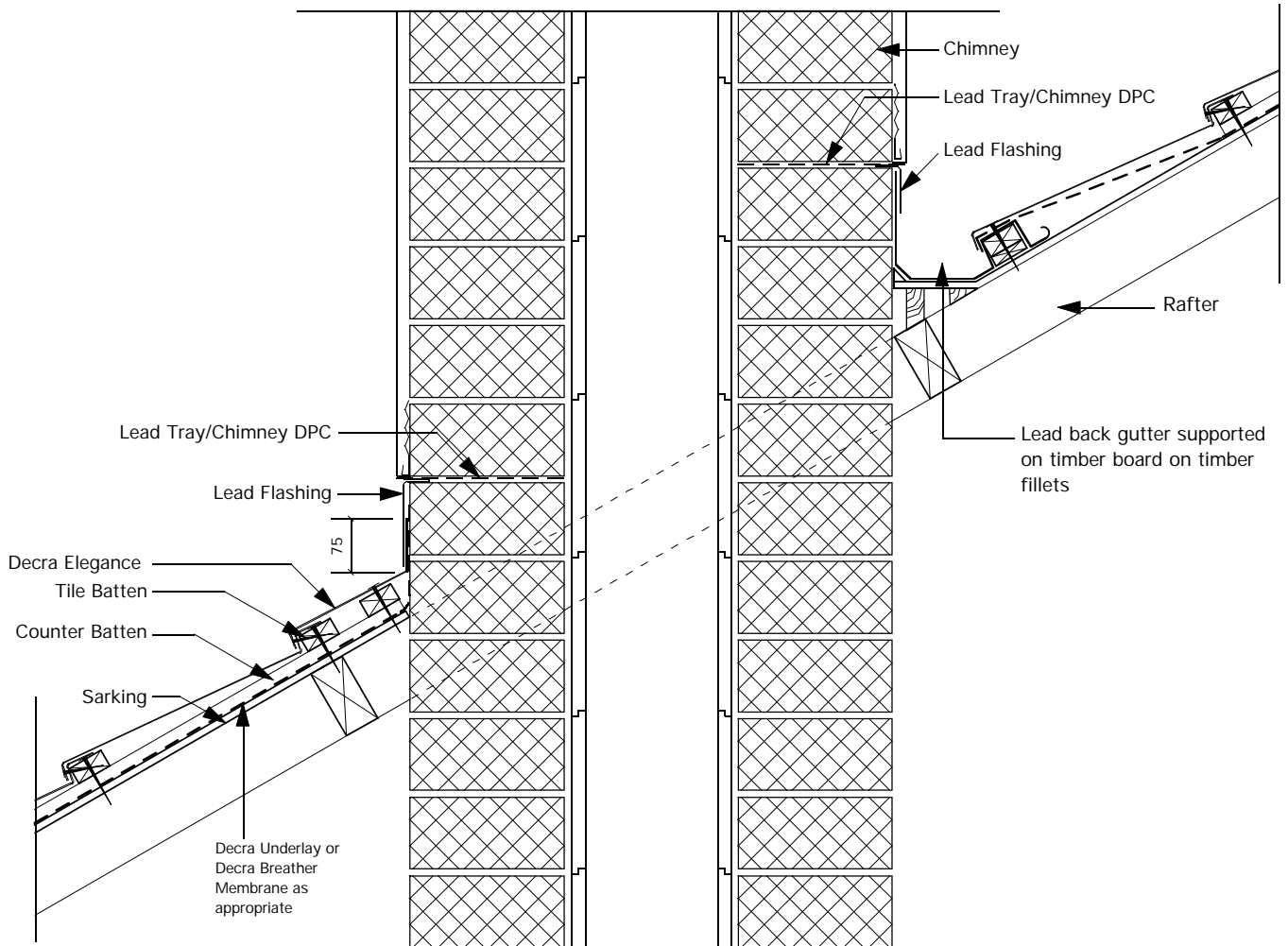
Unit 4
Crompton Fields
Crompton Way
Crawley
West Sussex
RH10 9QB

telephone: (01293) 545058/9
fax: (01293) 562709
email: technical@decra.co.uk
web-Site: <http://www.decra.co.uk>

The copyright of this drawing and detail information belongs to Decra Roof Systems Limited. Reproduction or amendment outwith the terms of the licensing agreement by other parties is expressly forbidden.

DECRA ELEGANCE		
CONTENT	DECRA ELEGANCE MANSARD ROOF DETAIL	
DRAWING SCALE	1:10	DATE 07/09/98
DRAWING NO	DESS060	REVISION

*Note:
Flue diameter and thickness of blockwork to comply
with building regulations requirements. Thicknesses
shown are indicative*



Flashing Details to Chimney
Scale 1:10

Notes:

Decra[®]
Roof Systems Limited

A member of the Icopal Group



Unit 4
Crompton Fields
Crompton Way
Crawley
West Sussex
RH10 9QB

telephone: (01293) 545058/9
fax: (01293) 562709

email: technical@decra.co.uk
web-Site: <http://www.decra.co.uk>

The copyright of this drawing and detail information belongs to Decra Roof Systems Limited. Reproduction or amendment outwith the terms of the licensing agreement by other parties is expressly forbidden.

DECRA ELEGANCE

CONTENT

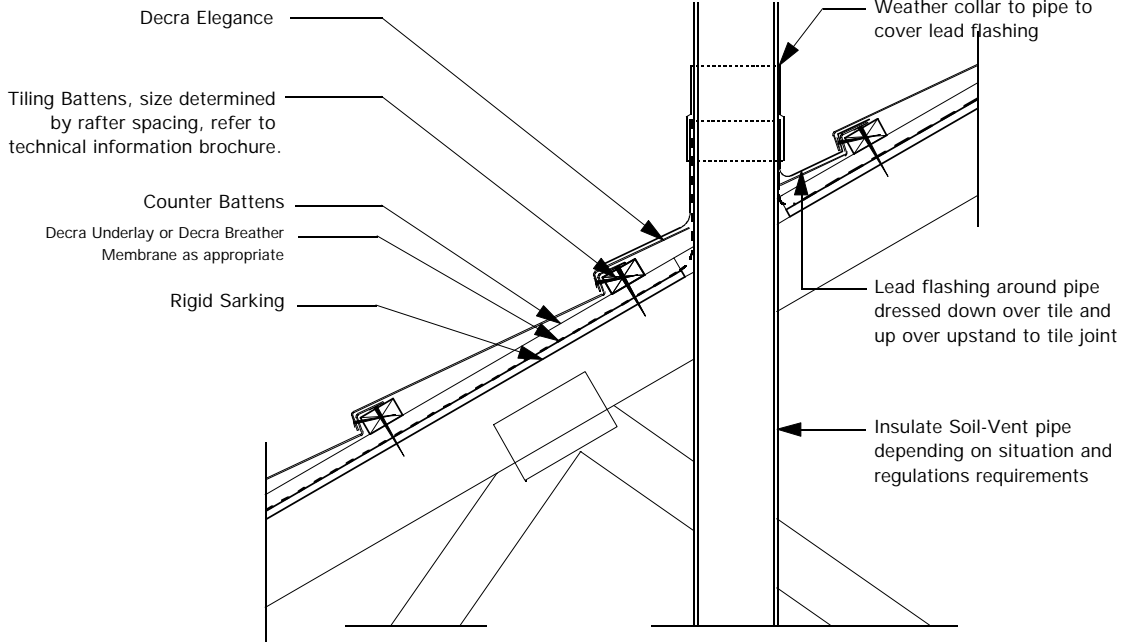
**DECRA ELEGANCE
FLASHING DETAILS TO CHIMNEY**

DRAWING SCALE **1:10**

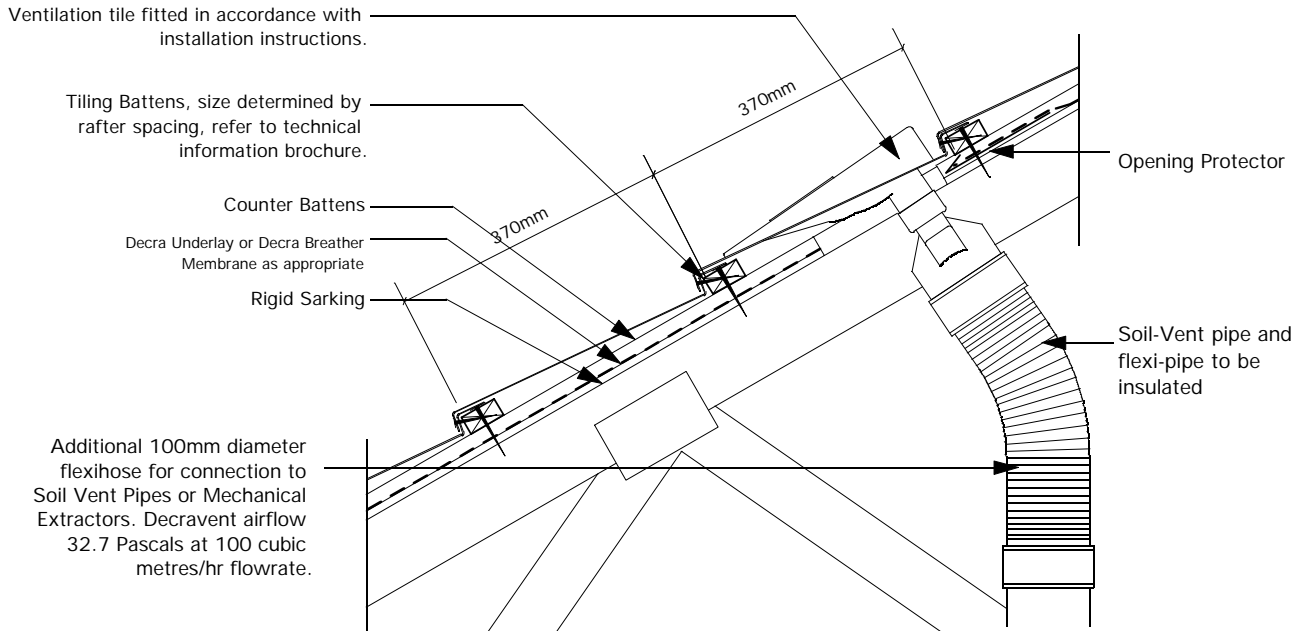
DATE **07/09/98**

DRAWING NO **DESS061**

REVISION



Soil Vent Pipe Through Roof
Scale 1:10



Decra InLine Tile Ventilator to Soil Vent Pipe
Scale 1:10

Notes:

Decra[®]
Roof Systems Limited
A member of the Icopal Group



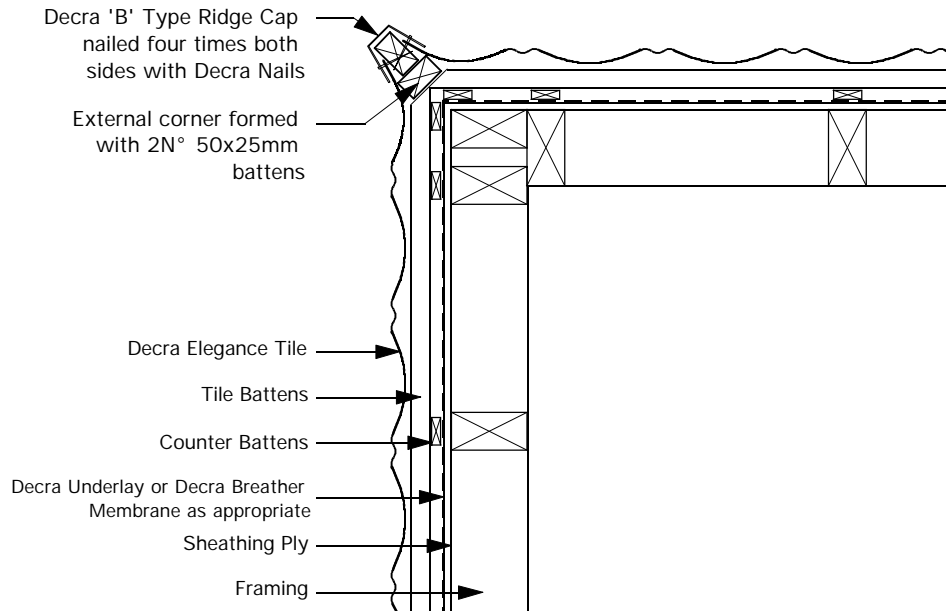
Unit 4
Crompton Fields
Crompton Way
Crawley
West Sussex
RH10 9QB

telephone: (01293) 545058/9
fax: (01293) 562709
email: technical@decra.co.uk
web-Site: <http://www.decra.co.uk>

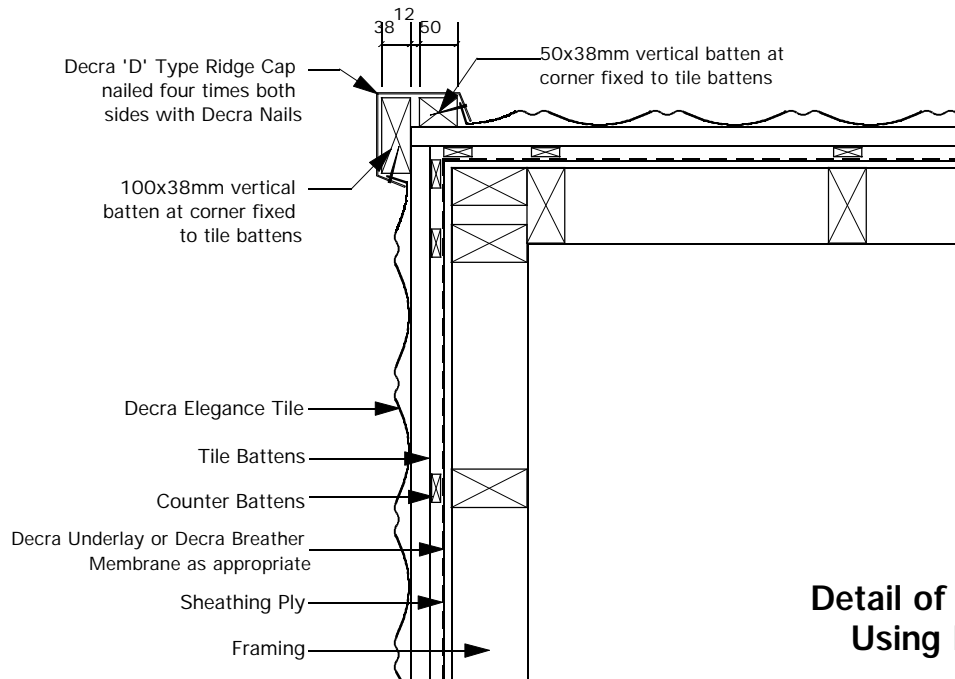
The copyright of this drawing and detail information belongs to Decra Roof Systems Limited. Reproduction or amendment outwith the terms of the licensing agreement by other parties is expressly forbidden.

DECRA ELEGANCE

CONTENT		
DECRA ELEGANCE SOIL-VENT TERMINAL DETAILS		
DRAWING SCALE	1:10	DATE 07/09/98
DRAWING NO	DESS062	REVISION



Detail of External Corner Using Decra 'B' Ridge
Scale 1:10



Detail of External Corner Using Decra 'D' Ridge
Scale 1:10

Notes:

Decra[®]
Roof Systems Limited
A member of the Icopal Group



Unit 4
Crompton Fields
Crompton Way
Crawley
West Sussex
RH10 9QB

telephone: (01293) 545058/9
fax: (01293) 562709
email: technical@decra.co.uk
web-Site: <http://www.decra.co.uk>

The copyright of this drawing and detail information belongs to Decra Roof Systems Limited. Reproduction or amendment outwith the terms of the licensing agreement by other parties is expressly forbidden.

DECRA ELEGANCE

**DECRA ELEGANCE
VERTICAL CORNER DETAILS**

CONTENT

DRAWING SCALE

1:10

DATE

07/09/98

DRAWING NO

DESS064

REVISION

On eaves course of tile, the tiles are fixed vertically through the high point of the tile into the fascia board or batten directly behind the fascia with Decra Nails. The nail heads to be covered with a finishing kit (supplied by Decra).

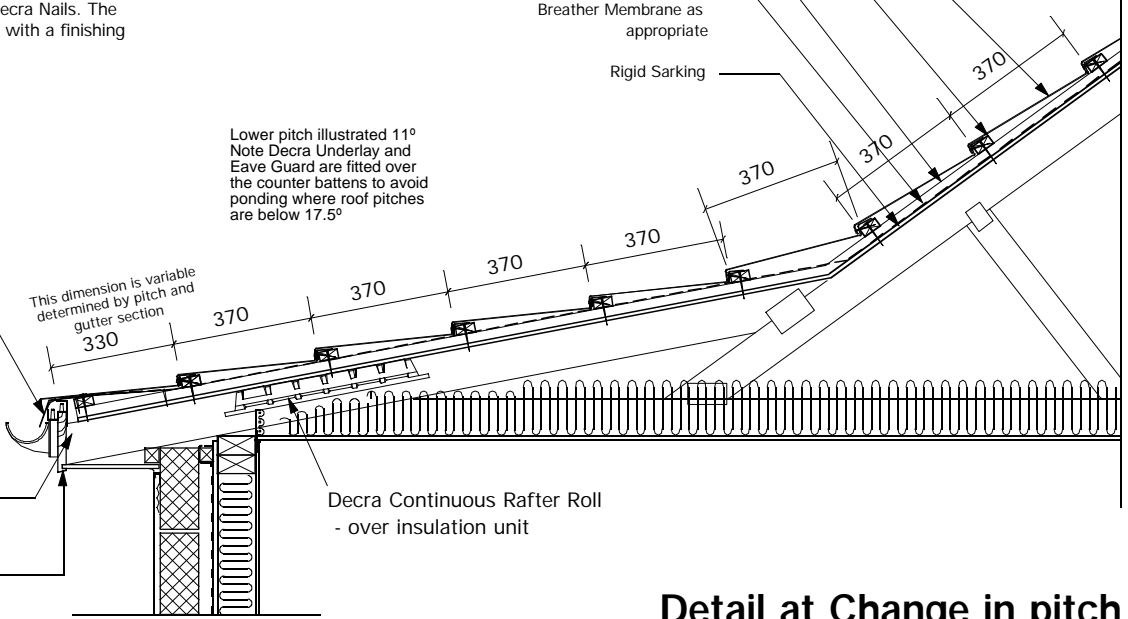
Decra Elegance
 Tiling Battens, size determined by rafter spacing, refer to technical information brochure.
 Counter Battens, thickness illustrated 25mm
 Decra Underlay or Decra Breather Membrane as appropriate
 Rigid Sarking

Lower pitch illustrated 11°
 Note Decra Underlay and Eave Guard are fitted over the counter battens to avoid ponding where roof pitches are below 17.5°

This eaves detail to be read in conjunction with Drawing DTSS017

Decra Eave Guard 400
 Decra 25mm Eaves Ventilator & gutter spacing bracket
 Tile batten set back 20mm minimum from eaves vent and sarking cut back for ventilation
 Top, outer edge of fascia board to be fixed at 25mm below batten height.

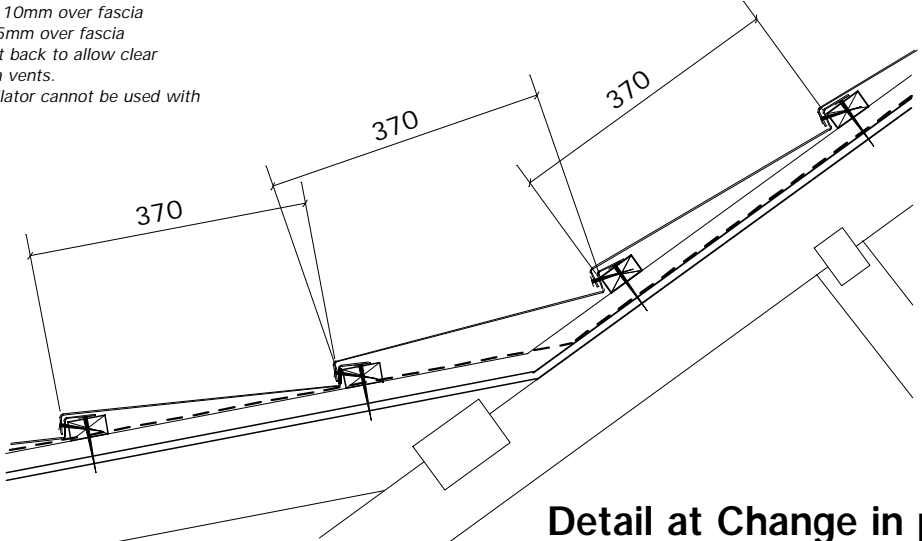
This dimension is variable determined by pitch and gutter section
 330



Detail at Change in pitch
 Scale 1:20

Note:
 If eaves ventilation is to be used, fascia board is to be fixed at 15mm below batten height for 10mm over fascia ventilator and 25mm below for 25mm over fascia ventilator. Sarking board to be cut back to allow clear ventilation when using over fascia vents.
 Note: the 10mm over fascia ventilator cannot be used with roof pitches below 15°

Note:
 This detail is an enlargement of the detail above. Underlay is shown fixed over the counter battens as required for roof pitches below 17.5°. Adjust accordingly where the lower roof pitch is greater than 17.5°



Detail at Change in pitch
 Scale 1:10

Notes:

Refer also to detail drawings DESS015 and DESS017 for Decra Eave Guard and Decra Fascia Vent combinations. Note that the 10mm fascia vent cannot be used at roof pitches below 15°, the 25mm fascia vent should be used instead - see also the ventilation recommendations in the information section of the Decra Technical Services CD.

In re-roofing projects the Continuous Rafter Roll cannot be laid without partial removal of the sarking for access. If partial removal of the sarking is not possible or desirable some other method of ensuring clear ventilation between insulation and sarking should be employed.

Decra[®]
 Roof Systems Limited
 A member of the Icopal Group

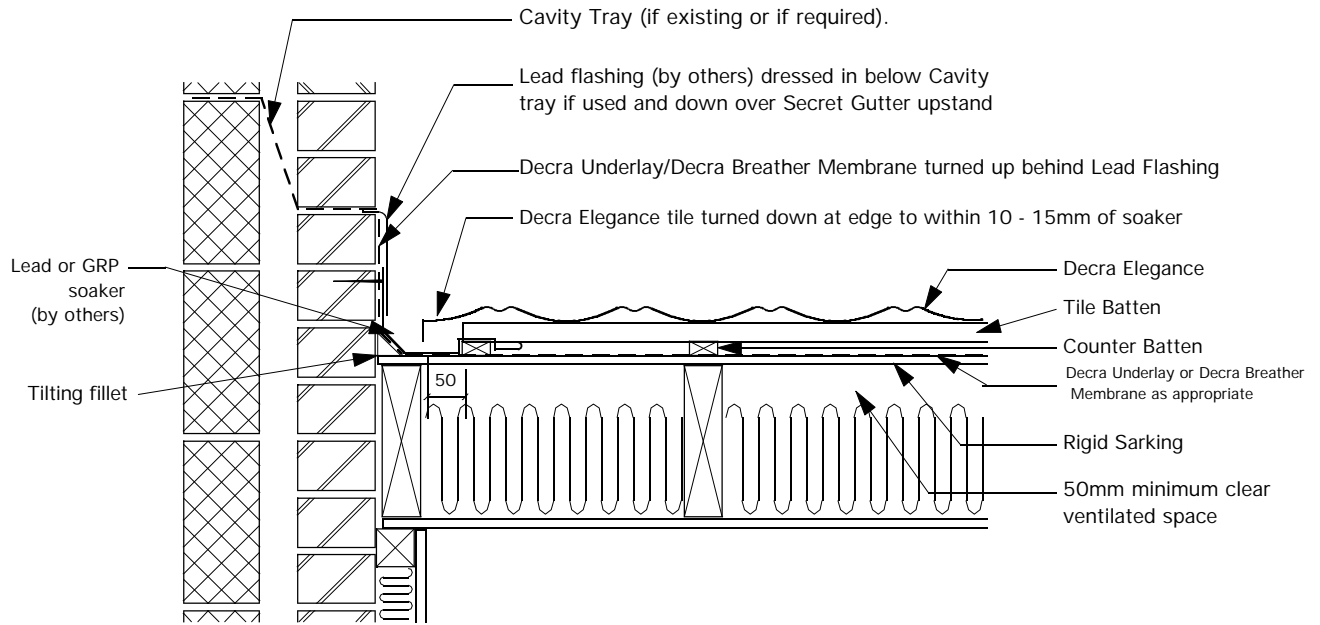


Unit 4
 Crompton Fields
 Crompton Way
 Crawley
 West Sussex
 RH10 9QB

telephone: (01293) 545058/9
 fax: (01293) 562709
 email: technical@decra.co.uk
 web-Site: <http://www.decra.co.uk>

DECRA ELEGANCE		
CONTENT DETAIL AT CHANGE IN ROOF PITCH USING DECRA EAVE GUARD 400 AND 25MM VENTILATOR		
DRAWING SCALE	1:10/20	DATE 21/04/03
DRAWING NO	DESS065	REVISION

The copyright of this drawing and detail information belongs to Decra Roof Systems Limited. Reproduction or amendment outwith the terms of the licensing agreement by other parties is expressly forbidden.



Abutment Detail With Secret Gutter
Scale 1:10

Notes:

Abutment Detail with Secret Gutter suitable only for roofs of pitch 25° or greater.

Decra®
Roof Systems Limited

A member of the Icopal Group



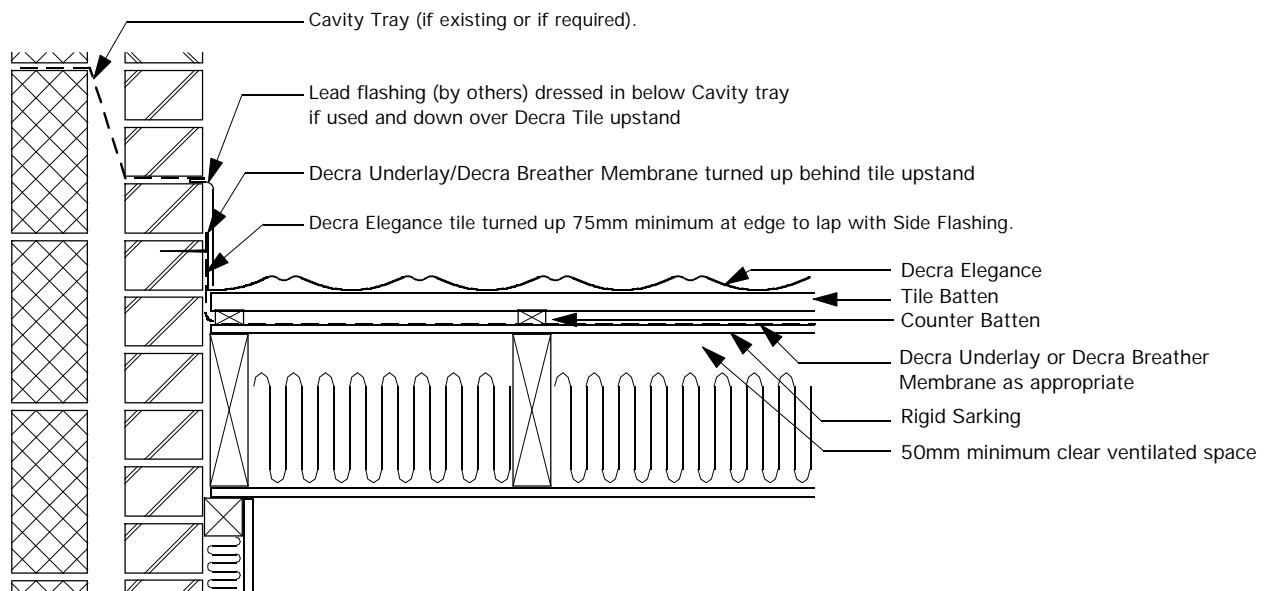
Unit 4
Crompton Fields
Crompton Way
Crawley
West Sussex
RH10 9QB

telephone: (01293) 545058/9
fax: (01293) 562709
email: technical@decra.co.uk
web-Site: <http://www.decra.co.uk>

The copyright of this drawing and detail information belongs to Decra Roof Systems Limited. Reproduction or amendment outwith the terms of the licensing agreement by other parties is expressly forbidden.

DECRA ELEGANCE

CONTENT		DECRA ELEGANCE ABUTMENT DETAIL WITH SECRET GUTTER	
DRAWING SCALE	1:10	DATE	07/09/98
DRAWING NO	DESS070	REVISION	



Abutment Detail Without Side Flashing
Scale 1:10

Decra[®]
Roof Systems Limited
A member of the Icopal Group



Unit 4
Crompton Fields
Crompton Way
Crawley
West Sussex
RH10 9QB

telephone: (01293) 545058/9
fax: (01293) 562709
email: technical@decra.co.uk
web-Site: <http://www.decra.co.uk>

The copyright of this drawing and detail information belongs to Decra Roof Systems Limited. Reproduction or amendment outwith the terms of the licensing agreement by other parties is expressly forbidden.

DECRA ELEGANCE

CONTENT

**DECRA ELEGANCE
ABUTMENT DETAILS**

DRAWING SCALE

1:10

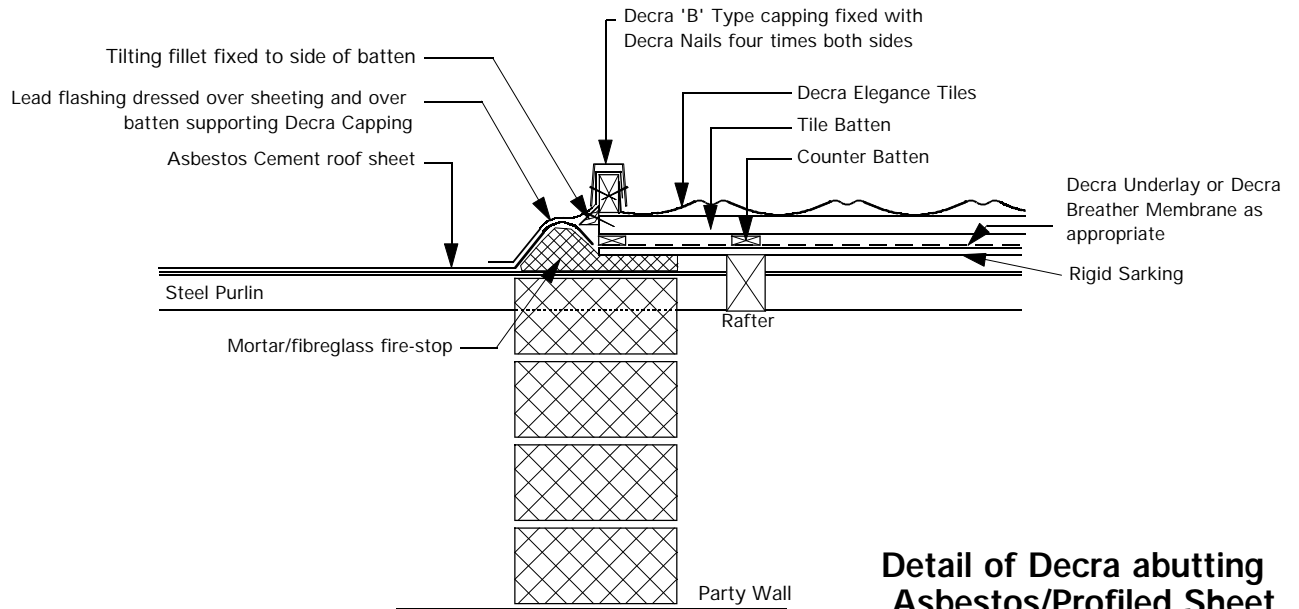
DATE

07/09/98

DRAWING NO

DESS071

REVISION



**Detail of Decra abutting
Asbestos/Profiled Sheet**
Scale 1:10

Notes:

Decra[®]
Roof Systems Limited

A member of the Icopal Group



Unit 4
Crompton Fields
Crompton Way
Crawley
West Sussex
RH10 9QB

telephone: (01293) 545058/9

fax: (01293) 562709

email: technical@decra.co.uk

web-Site: <http://www.decra.co.uk>

The copyright of this drawing and detail information belongs to Decra Roof Systems Limited. Reproduction or amendment outwith the terms of the licensing agreement by other parties is expressly forbidden.

DECRA ELEGANCE

CONTENT

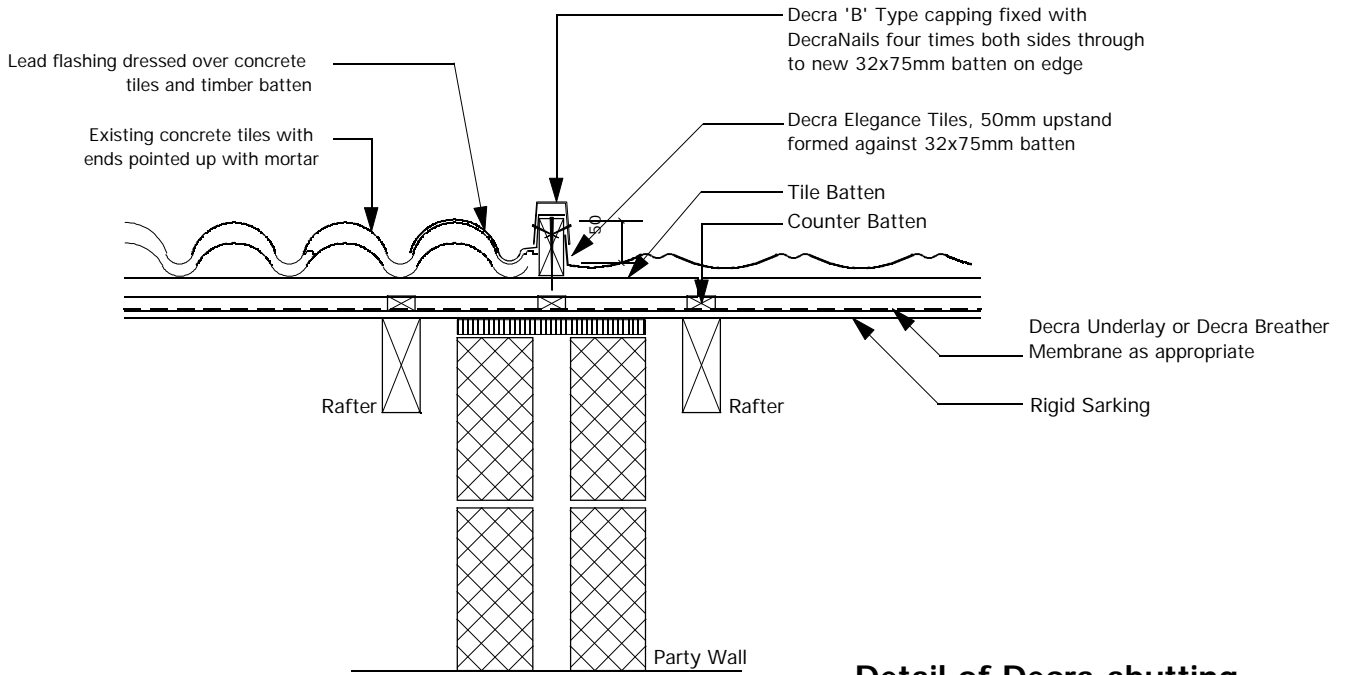
**DECRA ELEGANCE
ROOF SHEETING ABUTMENT DETAILS**

DRAWING SCALE **1:10**

DATE **07/09/98**

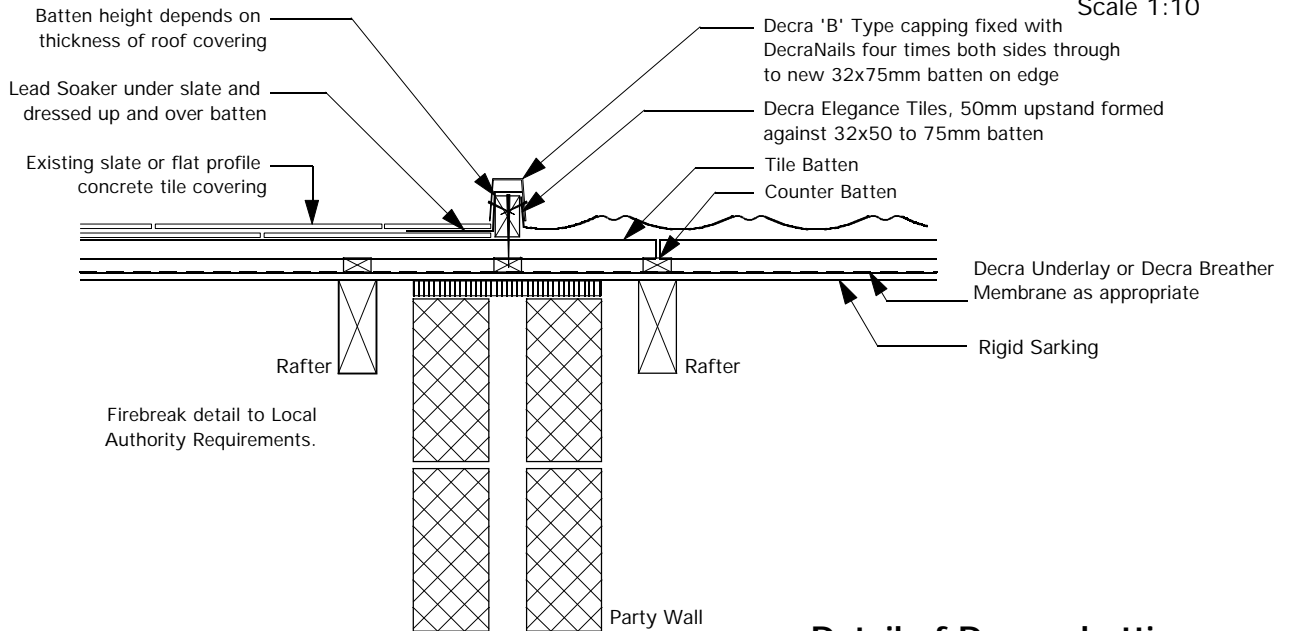
DRAWING NO **DESS072**

REVISION



Detail of Decra abutting Concrete Tiles of Profiled Section

Scale 1:10



Detail of Decra abutting Slate or flat profile Concrete Tile

Scale 1:10

Notes:

Decra[®]
Roof Systems Limited

A member of the Icopal Group



Unit 4
Crompton Fields
Crompton Way
Crawley
West Sussex
RH10 9QB

telephone: (01293) 545058/9

fax: (01293) 562709

email: technical@decra.co.uk

web-Site: <http://www.decra.co.uk>

The copyright of this drawing and detail information belongs to Decra Roof Systems Limited. Reproduction or amendment outwith the terms of the licensing agreement by other parties is expressly forbidden.

DECRA ELEGANCE

CONTENT

DECRA ELEGANCE

SLATE AND TILE ABUTMENT DETAILS

DRAWING SCALE

1:10

DATE

07/09/98

DRAWING NO

DESS073

REVISION

VELUX - EDW FLASHING

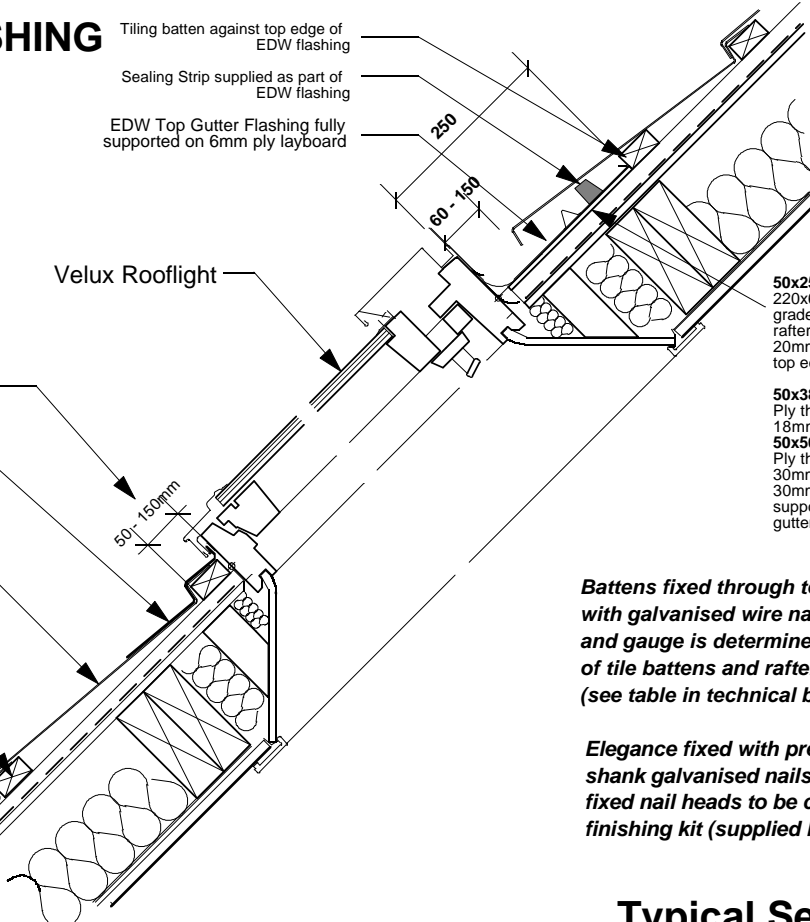
Note:
50x25mm battens:
6mm ply layboards to be fitted to top edge and sides to secure Velux brackets at 20mm below top surface of tiling battens.

50x50 and 50x38mm Battens:
Tiling battens to be notched 20mm to secure Velux fixing brackets 20mm below top surface of tiling battens.

Tiling batten against top edge of EDW flashing
Sealing Strip supplied as part of EDW flashing
EDW Top Gutter Flashing fully supported on 6mm ply layboard

minimum and maximum dimensions from front face of velux rooflight and bottom face of tiling batten. Where dimensions exceeds 50mm, ply layboards or battens must be used below the bottom apron flashing for support.

Velux EDW Bottom Apron Flashing
Decra Elegance
Tiling Battens, minimum thickness 25mm, size determined by rafter spacing, refer to technical information brochure.
Counter battens
Decra Underlay or Decra Breather Membrane as appropriate
Rigid sarking



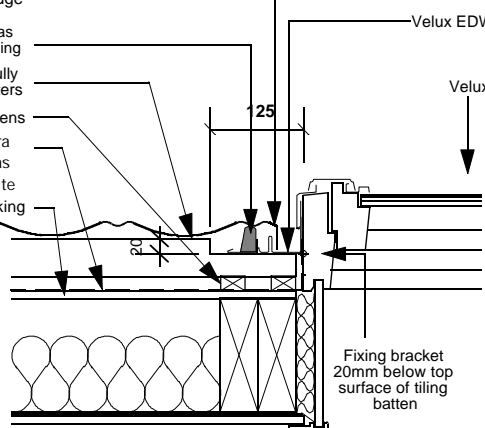
50x25mm battens:
220x6mm thick exterior grade ply layboard over rafter bridling, fitted with 20mm gap between ply and top edge of velux rooflight
50x38mm battens:
Ply thickness increases to 18mm,
50x50mm battens:
Ply thickness increases to 30mm - or use rows of 30mm thick battens for support beneath top edge gutter.

Battens fixed through to rafters with galvanised wire nails, length and gauge is determined by size of tile battens and rafter spacings (see table in technical brochure).

Elegance fixed with pre-coated twist shank galvanised nails, vertically fixed nail heads to be covered with a finishing kit (supplied by Decra).

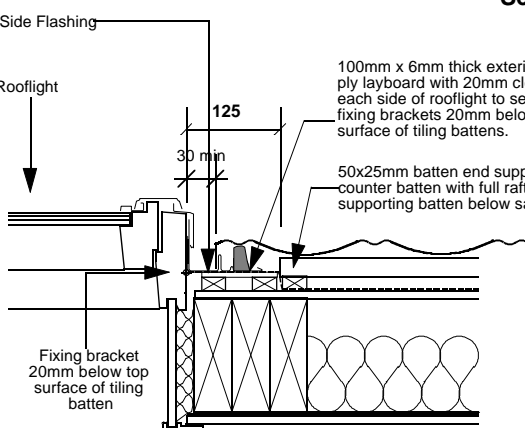
Typical Section Scale 1:10

Decra Elegance turn down 20mm at edge
Sealing Strip Supplied as part of EDW flashing
Notched tiling batten fully supported on double rafters
Counter battens
Decra Underlay or Decra Breather Membrane as appropriate
Rigid Sarking



Detail using 50x50mm Battens

This detail same for 50x38mm battens, battens notched 20mm to secure fixing brackets 20mm below line of tiling battens



Detail using 50x25mm Battens

Typical Cross-Sections Scale 1:10

Notes: 15° minimum roof pitch for Velux GGL Rooflights.
Velux Type EDW flashings must be used
The use of the following rooflights are to be strongly recommended for improved fitting in conjunction with Decra Elegance tiles: GGL206, GGL306, GGL410, GGL606, Special sizes complying with overall external frame heights of 1180mmx1600mm.

Velux Rooflight profiles and details courtesy of, and copyright to, Velux.
This detail is to be read in conjunction with Velux installation and design instructions.
Design and installation must ensure that ventilation of roofspace requirements are adhered to. Detail shown may not suit all types of roof construction where ventilation is concerned.

This detail to be read in conjunction with Acrobat files for velux installation instructions in the information section on the Decra Technical Services CD

Decra[®]
Roof Systems Limited
A member of the Icopal Group



Unit 4
Crompton Fields
Crompton Way
Crawley
West Sussex
RH10 9QB

telephone: (01293) 545058/9
fax: (01293) 562709
email: technical@decra.co.uk
web-Site: <http://www.decra.co.uk>

The copyright of this drawing and detail information belongs to Decra Roof Systems Limited. Reproduction or amendment outwith the terms of the licensing agreement by other parties is expressly forbidden.

DECRA ELEGANCE		
CONTENT	DECRA ELEGANCE VELUX ROOFLIGHT EDW FLASHING	
DRAWING SCALE	1:10	DATE 07/09/98
DRAWING NO	DESS080	REVISION