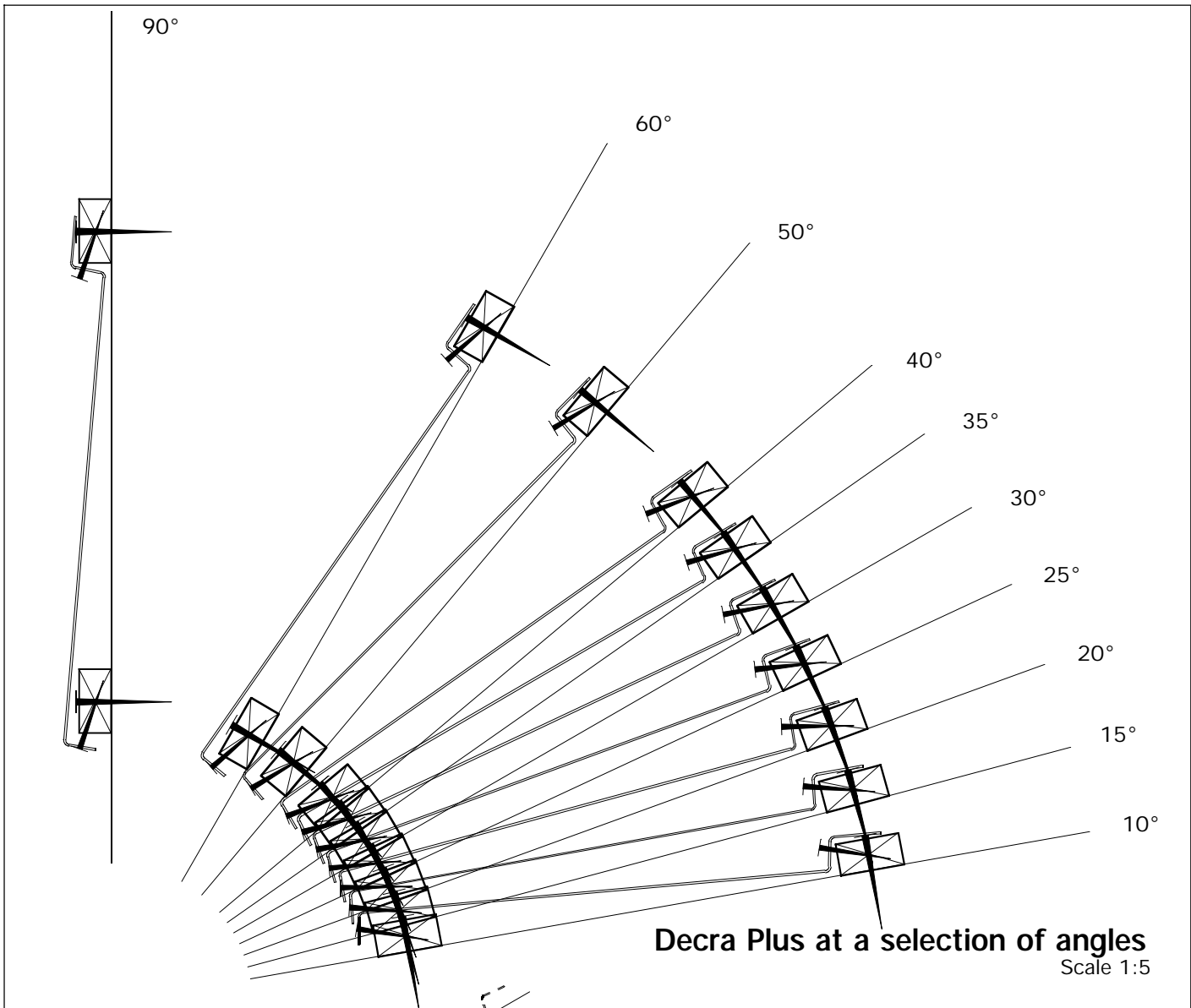


Decra Plus Tile

Scottish Practice

Drawing no	Description	Shown In Decra Brochure	Most Commonly Used Detail
DPSS001	Plus Tile Component • <i>Decra Plus at a selection of angles</i>		
DPSS002	Section Components • <i>Decra Plus Components Using D Type Ridge</i>		
DPSS003	Elevations Components • <i>Decra Plus Elevations at a selection of angles</i>		
DPSS004	Standard Section Through Tiles • <i>Typical Section through Tiles</i>		<input checked="" type="checkbox"/>
DPSS013	Eaves Detail Using Eave Guard 400 Unventilated and 600MM Rafter Spacing • <i>Eaves Detail greater than 17.5° roof pitch</i> • <i>Eaves Detail 10° to 17.5°</i>		<input checked="" type="checkbox"/>
DPSS015	Eaves Detail Ventilated Using Eave Guard 400, 10MM Eaves Vent and 600MM Rafter Spacing • <i>Eaves Detail greater than 17.5° roof pitch</i> • <i>Eaves Detail 15° to 17.5°</i>		<input checked="" type="checkbox"/>
DPSS017	Eaves Detail Using Eave Guard 400 Unventilated and 600MM Rafter Spacing • <i>Eaves Detail greater than 17.5° roof pitch</i> • <i>Eaves Detail 10° to 17.5°</i>		<input checked="" type="checkbox"/>
DPSS020	Unventilated D Ridge Details • <i>D Ridge Detail</i>		<input checked="" type="checkbox"/>
DPSS021	Ventilated D Ridge Detail Using Universal Hip/Ridge Ventilator • <i>Vented D Ridge Detail</i>		<input checked="" type="checkbox"/>
DPSS027	D Ridge Flue Terminal • <i>Ridge Detail</i> • <i>Flue Component Isometric</i>		<input checked="" type="checkbox"/>
DPSS031	Hip Detail Using D Type Ridge • <i>Hip detail using Decra D Ridge</i> • <i>Cuatway Isometric to Hip</i>		<input checked="" type="checkbox"/>
DPSS032	Hip Detail Using D Type Ridge Ventilated • <i>Hip detail using Decra D Ridge</i> • <i>Cutaway Isometric to Hip</i>		<input checked="" type="checkbox"/>
DPSS040	Mono Ridge Detail (D Type Ridge) • <i>Mono Ridge detail</i>		<input checked="" type="checkbox"/>
DPSS041	Mono Ridge Detail D Ridge with Universal D Hip/Ridge vent • <i>Mono Ridge detail</i>		<input checked="" type="checkbox"/>
DPSS050	Verge Detail • <i>Barge detail</i> • <i>Isometric detail at gutter</i>		<input checked="" type="checkbox"/>
DPSS051	Vertical Tiling Detail • <i>Vertical Tiles detail</i> • <i>Vertical Tiles Isometric Detail</i>		
DPSS052	Verge Detail using D Box Barge • <i>Barge detail</i> • <i>Isometric detail at gutter</i>		<input checked="" type="checkbox"/>

DPSS053	Raking Verge - Internal Gutter • <i>Raking Verge Detail</i>		
DPSS054	Raking Verge • <i>Raking Verge Detail</i>		
DPSS055	Valley Gutter Details • <i>Lead Valley Detail</i> • <i>GRP Valley Detail</i>		<input checked="" type="checkbox"/>
DPSS056	Valley Gutter Details to Felted / Boarded Roof • <i>Lead Valley detail on Felt or Boarded Roof</i> • <i>Lead Valley detail using 50x50mm Tile Battens</i>		<input checked="" type="checkbox"/>
DPSS060	Mansard Roof Detail • <i>Mansard using Lead Flashing</i> • <i>Mansard using Top Course</i>		<input checked="" type="checkbox"/>
DPSS061	Flashing Details to Chimney • <i>Flashing Details to Chimney</i>		<input checked="" type="checkbox"/>
DPSS062	Soil-Vent Terminal Details • <i>Soil Vent Pipe through Roof</i> • <i>Decra InLine Tiel Ventilator to Soil Pipe Vent</i>		<input checked="" type="checkbox"/>
DPSS064	Vertical Corners Details • <i>Detail of External Corner using Decra 'B' Ridge</i> • <i>Detail of External Corner using Decra 'D' Ridge</i>		
DPSS065	Detail at change in roof pitch using Decra Eave Guard 400 and 25mm Ventilator • <i>Detail at Change in pitch 1:20</i> • <i>Detail at Change in pitch 1:10</i>		<input checked="" type="checkbox"/>
DPSS070	Abutment Detail with Secret Gutter • <i>Abutment Detail with Secret Gutter</i>		<input checked="" type="checkbox"/>
DPSS071	Abutment Details • <i>Abutment detail using Decra Side Flashing</i> • <i>Abutment detail without Side Flashing</i>		<input checked="" type="checkbox"/>
DPSS072	Roof Sheeting Abutment Details • <i>Detail of Decra abutting Asbestos / Profiled Sheet</i>		
DPSS073	Slate and Tile Abutment Details • <i>Detail of Decra abutting Concretet tiles of Profiled section</i> • <i>Detail of Decra abutting Slate or profile Concrete tile</i>		
DPSS080	Velux Rooflight EDH Flashing • <i>Typical Section</i> • <i>Typical Cross-Sections</i>		<input checked="" type="checkbox"/>



Decra Plus at a selection of angles
Scale 1:5

Duplicate a tile and batten. Move them 368mm along the line of the counter batten as shown to increase the number of rows of tiles on the roof.

Rotate the line of tiles, battens, counter battens and sarking as required and adjust the fascia and ridge cap to suit the desired pitch of roof.

These components can be scaled for use on larger or smaller scale detail drawings.

Notes:

Refer also to the Detail drawings when using these components.
For Ventilated situations copy the relevant eaves and D ridge details from the Detail drawings.

Decra[®]
Roof Systems Limited
A member of the Icopal Group

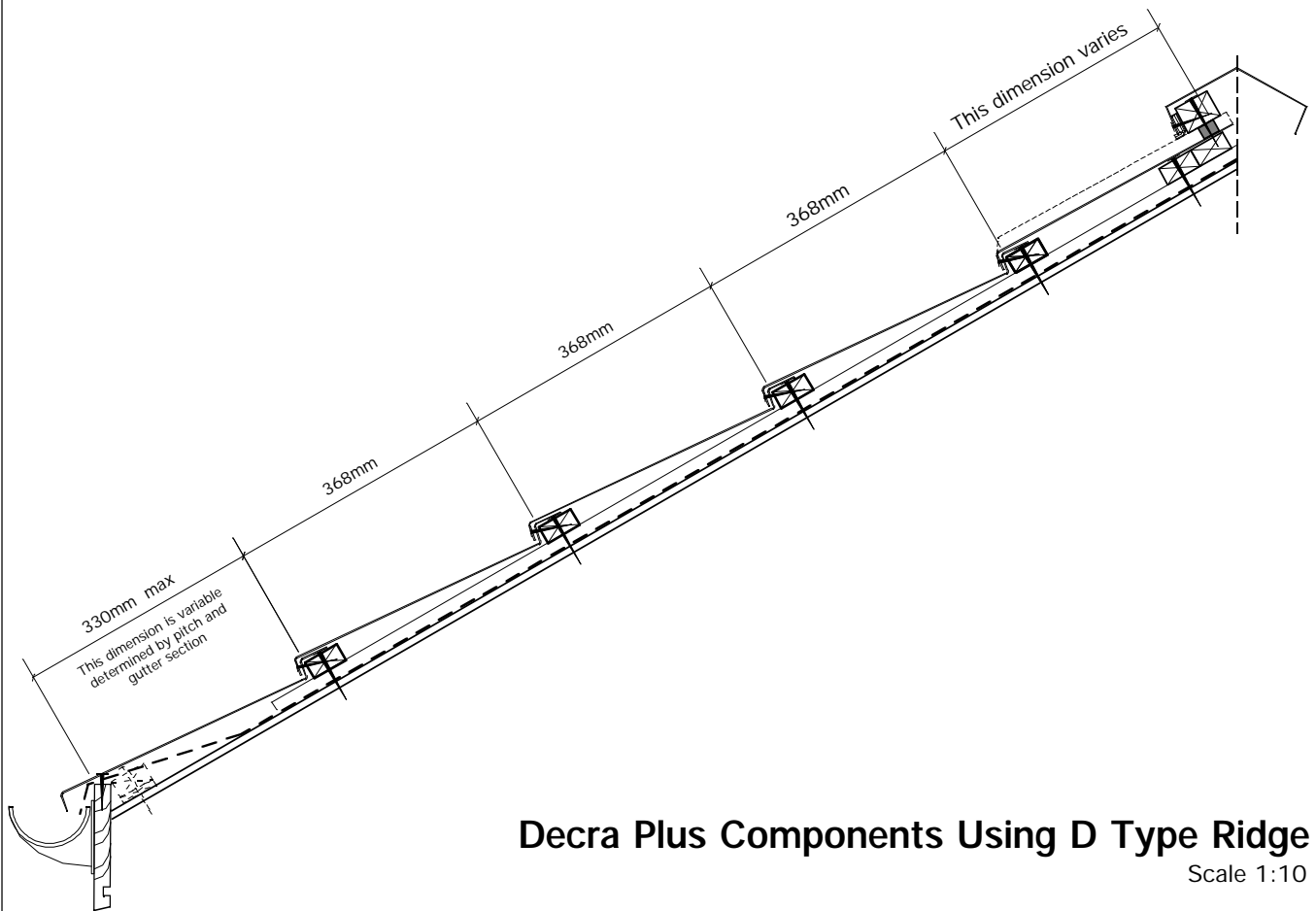


Unit 4
Crompton Fields
Crompton Way
Crawley
West Sussex
RH10 9QB

telephone: (01293) 545058/9
fax: (01293) 562709
email: technical@decra.co.uk
web-Site: <http://www.decra.co.uk>

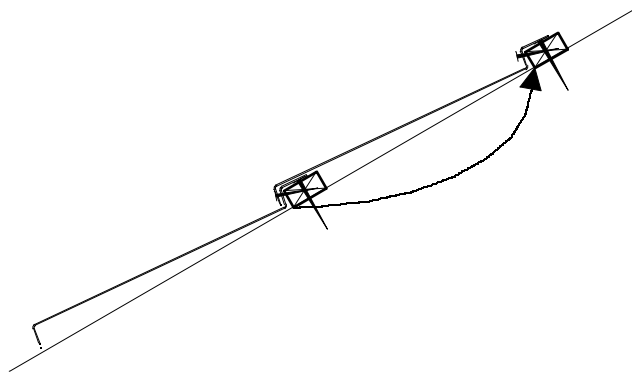
The copyright of this drawing and detail information belongs to Decra Roof Systems Limited. Reproduction or amendment outwith the terms of the licensing agreement by other parties is expressly forbidden.

DECRA PLUS			
CONTENT		DECRA PLUS PLUS TILE COMPONENT	
DRAWING SCALE	1:5	DATE	27/01/01
DRAWING NO	DPSS001	REVISION	



Decra Plus Components Using D Type Ridge

Scale 1:10



Duplicate a tile and batten. Move them 368mm along the line of the counter batten as shown to increase the number of rows of tiles on the roof.

Rotate the line of tiles, battens, counter battens and sarking as required and adjust the fascia and ridge cap to suit the desired pitch of roof.

These components can be scaled for use on larger or smaller scale detail drawings.

Notes:

Refer also to the Detail drawings when using these components.
For Ventilated situations copy the relevant eaves and D ridge details from the Detail drawings.

Decra[®]
Roof Systems Limited

A member of the Icopal Group



Unit 4
Crompton Fields
Crompton Way
Crawley
West Sussex
RH10 9QB

telephone: (01293) 545058/9
fax: (01293) 562709
email: technical@decra.co.uk
web-Site: <http://www.decra.co.uk>

DECRA PLUS

CONTENT

DECRA PLUS SECTION COMPONENTS

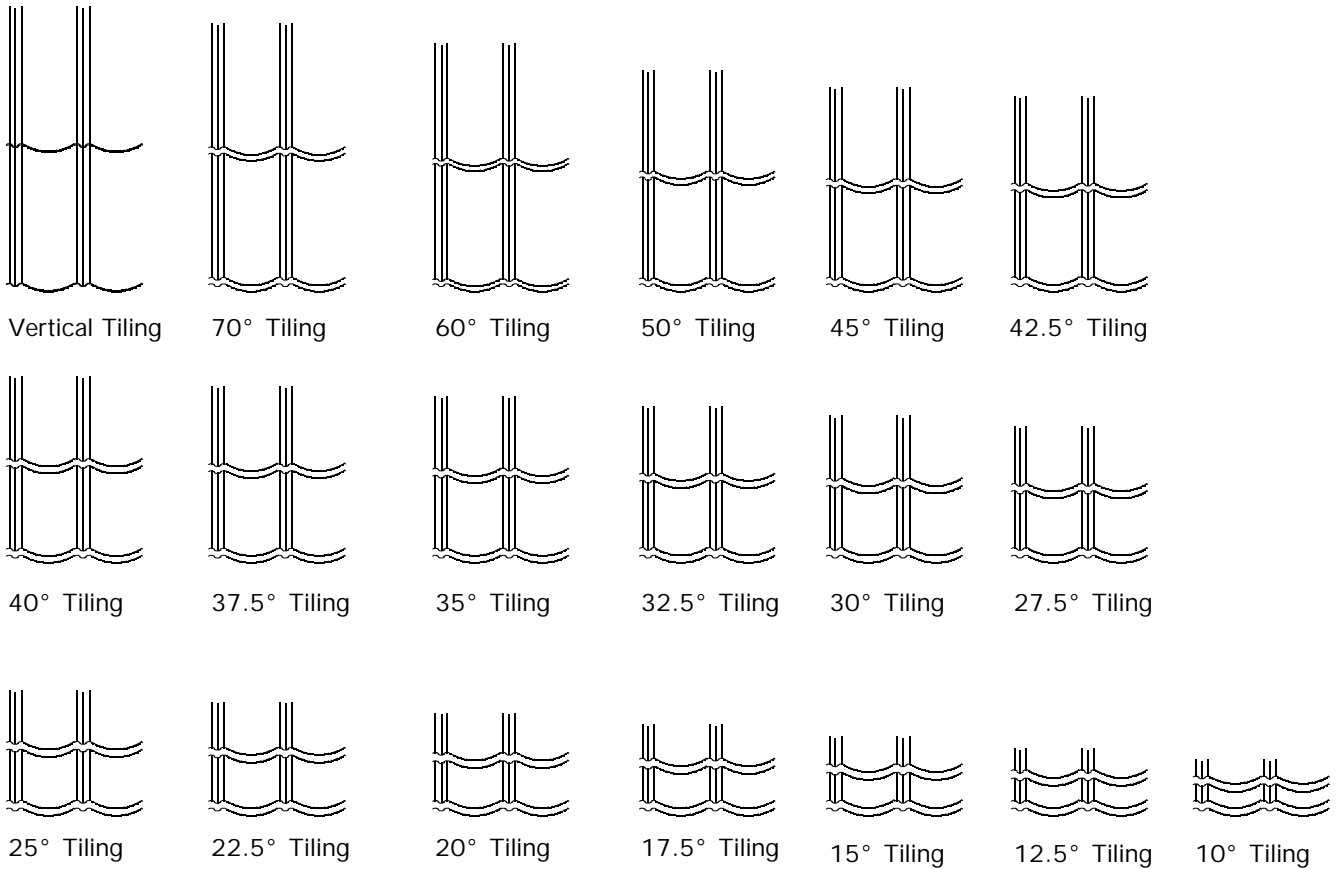
DRAWING SCALE 1:10

DATE 27/01/01

DRAWING NO DPSS002

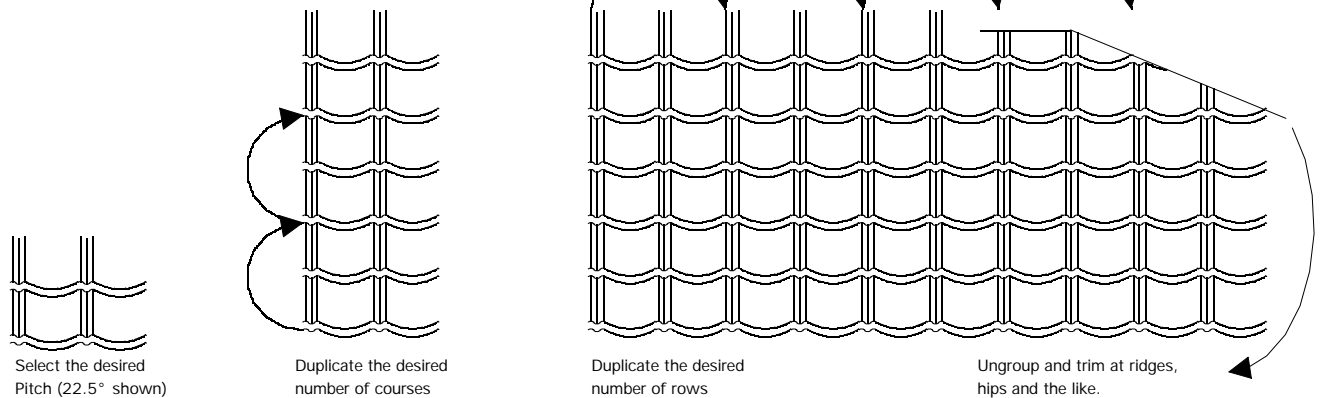
REVISION

The copyright of this drawing and detail information belongs to Decra Roof Systems Limited. Reproduction or amendment outwith the terms of the licensing agreement by other parties is expressly forbidden.



Decra Plus Elevations at a selection of angles
Scale 1:20

To use the elevations:



Notes:

The elevation components are given to assist in the production of elevations and are intended to give an indication of the appearance of Decra Plus tiles at the various pitches noted. To use the components select the one closest to the pitch of your roof and duplicate as shown. If a more accurate indication is required you should construct your own using the profile given in the component drawing for the Decra Plus tile and rearrange it using construction lines from a Decra Plus roof drawn at the desired pitch.

Decra[®]
Roof Systems Limited
A member of the Icopal Group



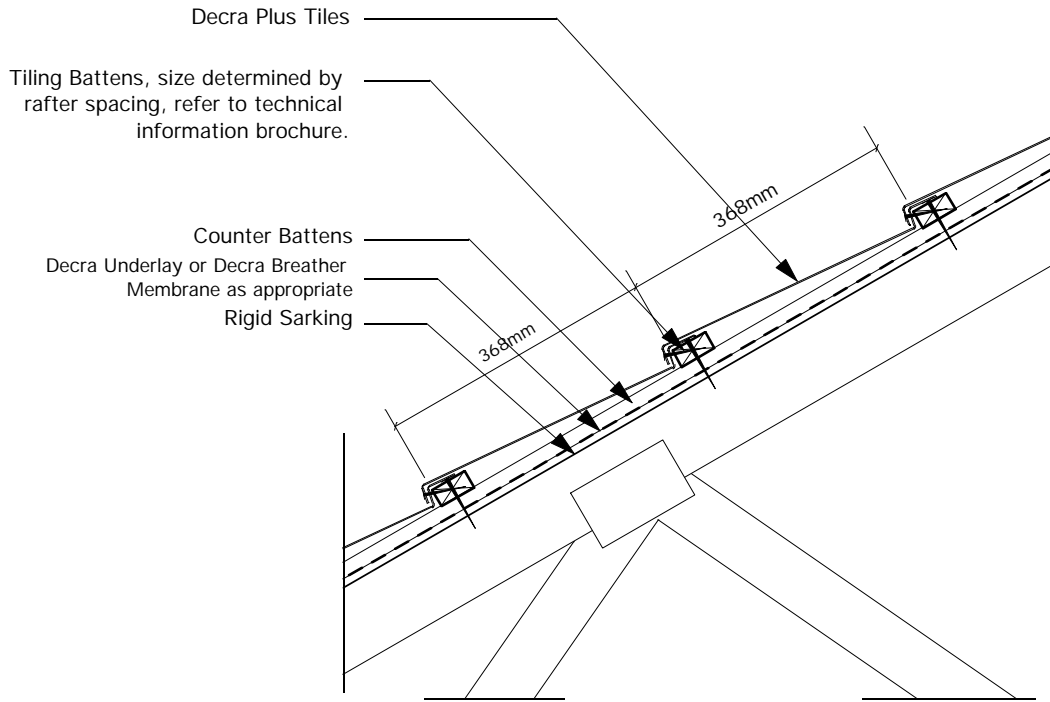
Unit 4
Crompton Fields
Crompton Way
Crawley
West Sussex
RH10 9QB

telephone: (01293) 545058/9
fax: (01293) 562709
email: technical@decra.co.uk
web-Site: <http://www.decra.co.uk>

The copyright of this drawing and detail information belongs to Decra Roof Systems Limited. Reproduction or amendment outwith the terms of the licensing agreement by other parties is expressly forbidden.

DECRA PLUS		
CONTENT	DECRA PLUS ELEVATIONS COMPONENTS	
DRAWING SCALE	1:20	DATE 27/01/01
DRAWING NO	DPSS003	REVISION

Tile Batten (minimum thickness 25mm) @ 368mm spacings. Size is determined by rafter spacing, refer to table in technical information brochure.



Typical Section through Tiles

Scale 1:10

Notes:

Decra[®]
Roof Systems Limited

A member of the Icopal Group



Unit 4
Crompton Fields
Crompton Way
Crawley
West Sussex
RH10 9QB

telephone: (01293) 545058/9

fax: (01293) 562709

email: technical@decra.co.uk

web-Site: <http://www.decra.co.uk>

The copyright of this drawing and detail information belongs to Decra Roof Systems Limited. Reproduction or amendment outwith the terms of the licensing agreement by other parties is expressly forbidden.

DECRA PLUS

CONTENT

DECRA PLUS

STANDARD SECTION THROUGH TILES

DRAWING SCALE

1:10

DATE

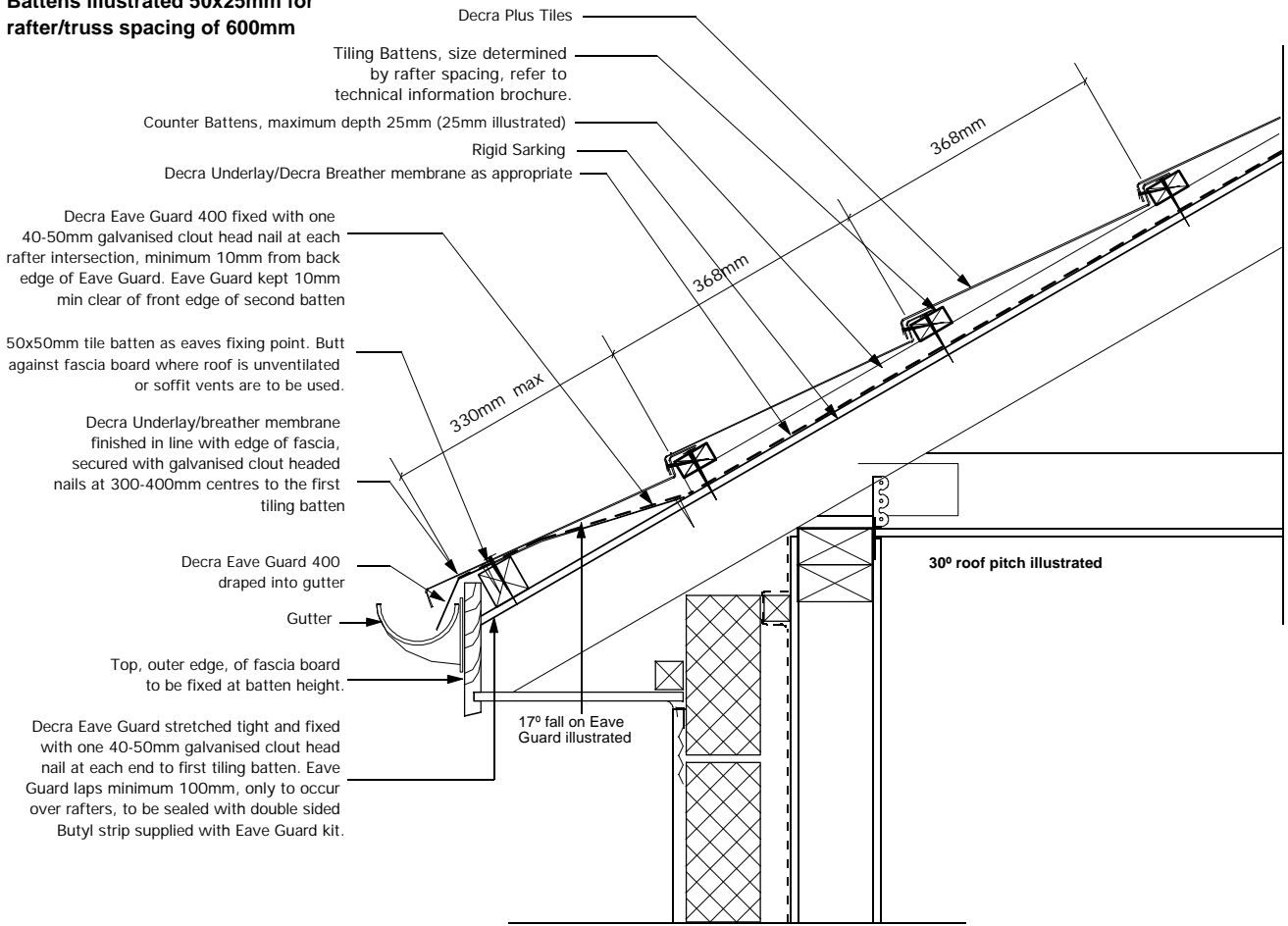
27/01/01

DRAWING NO

DPSS004

REVISION

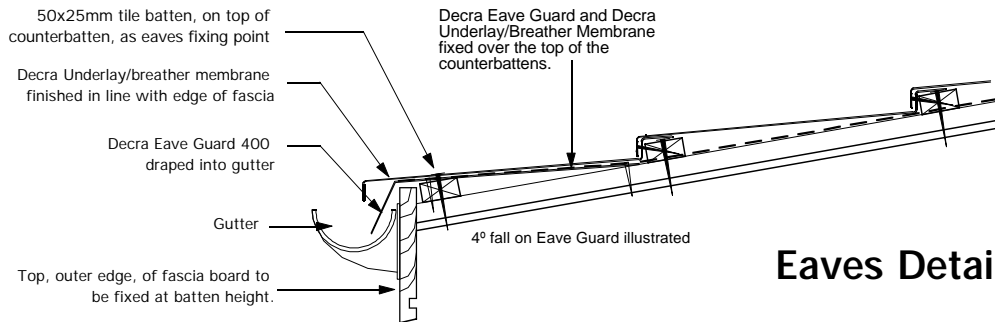
Battens illustrated 50x25mm for rafter/truss spacing of 600mm



Eaves Detail greater than 17.5° roof pitch

Scale 1:10

At low roof pitches care must be taken when setting out the underlying roof structure that ponding does not occur.



10° roof pitch illustrated

Note: Below 17.5° the Decra Underlay and Eave Guard are fixed over the top of the counter battens. It is essential that this is strictly adhered to in order to prevent ponding occurring.

Eaves Detail 10° to 17.5°

Scale 1:10

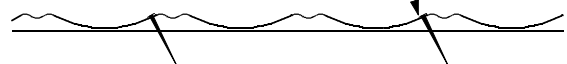
Notes:

This detail drawing is to be read in conjunction with the Decra Eave Guard 400 installation instructions.

This eaves arrangement can be used where soffit ventilation (not shown on this drawing) is being used.

Decra Eaves Guard has a front and back edge. It is essential that it is installed the right way round with the front edge draped into the gutter and the textured edge on top.

On eaves course of tile, the tiles are fixed vertically through the high point of the tile into the fascia board or batten directly behind the fascia with pre-coated Decra Plus Fixing Nails or Decra Plus Fixing Screws. The nail/screw heads to be covered with a finishing kit (supplied by Decra).



Decra®
Roof Systems Limited

A member of the Icopal Group



Unit 4
Crompton Fields
Crompton Way
Crawley
West Sussex
RH10 9QB

telephone: (01293) 545058/9
fax: (01293) 562709

email: technical@decra.co.uk
web-Site: <http://www.decra.co.uk>

The copyright of this drawing and detail information belongs to Decra Roof Systems Limited. Reproduction or amendment outwith the terms of the licensing agreement by other parties is expressly forbidden.

DECRA PLUS

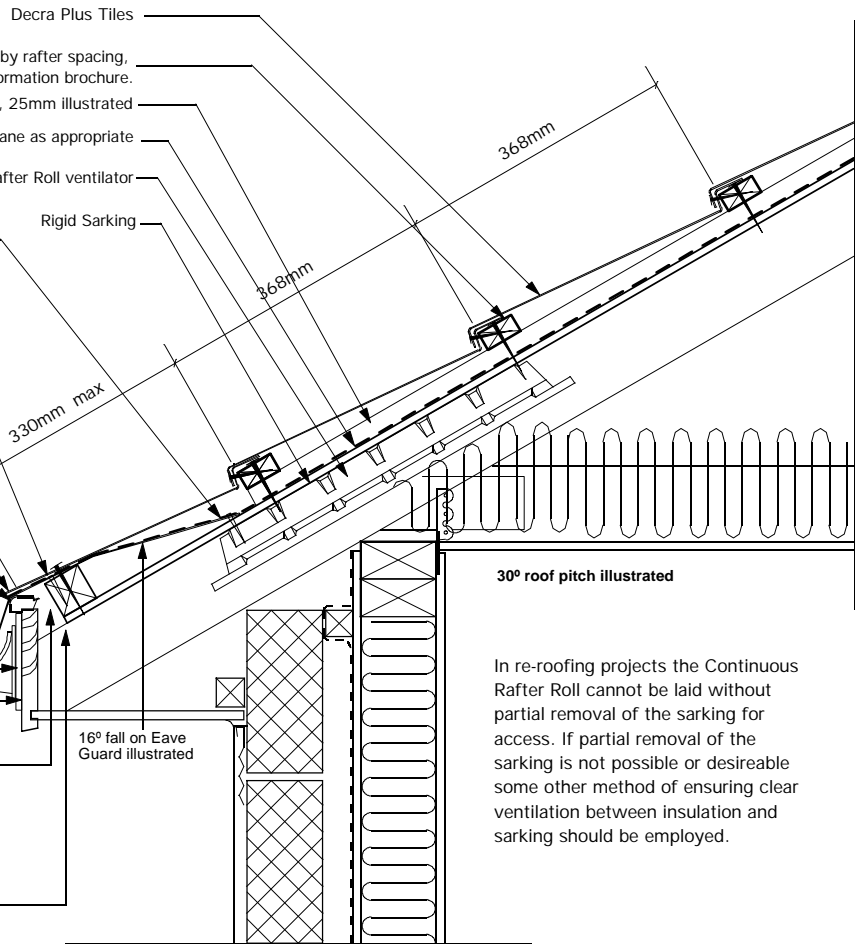
CONTENT **EAVES DETAIL
USING EAVE GUARD 400
UNVENTILATED AND 600MM RAFTER SPACING**

DRAWING SCALE **1:10** DATE **15/04/03**

DRAWING NO **DPSS013** REVISION

Battens illustrated 50x25mm for rafter/truss spacing of 600mm

- Tiling Battens, size determined by rafter spacing, refer to technical information brochure.
- Counter Battens, max depth 25mm, 25mm illustrated
- Decra Underlay/Decra Breather membrane as appropriate
- Decra Continuous Rafter Roll ventilator
- Decra Eave Guard 400 fixed with one 40-50mm galvanised clout head nail at each rafter intersection, minimum 10mm from back edge of Eave Guard. Eave Guard kept 10mm min clear of front edge of second batten
- 50x50mm tile batten as eaves fixing point, min 20mm gap between fascia vent and batten
- Decra Underlay/breather membrane finished in line with edge of fascia, secured with galvanised clout headed nails at 300-400mm centres to the first tiling batten
- Decra 10mm over fascia eaves ventilator
- Decra Eave Guard 400 draped into gutter
- Gutter
- Gutter spacing bracket
- Top, outer edge, of fascia board to be fixed 15mm below batten height.
- Decra Eave Guard stretched tight and fixed with one 40-50mm galvanised clout head nail at each end to first tiling batten. Eave Guard laps minimum 100mm, only to occur over rafters, to be sealed with double sided Butyl strip supplied with Eave Guard kit.
- Rigid Sarking cut back to allow clear ventilation to roofspace.



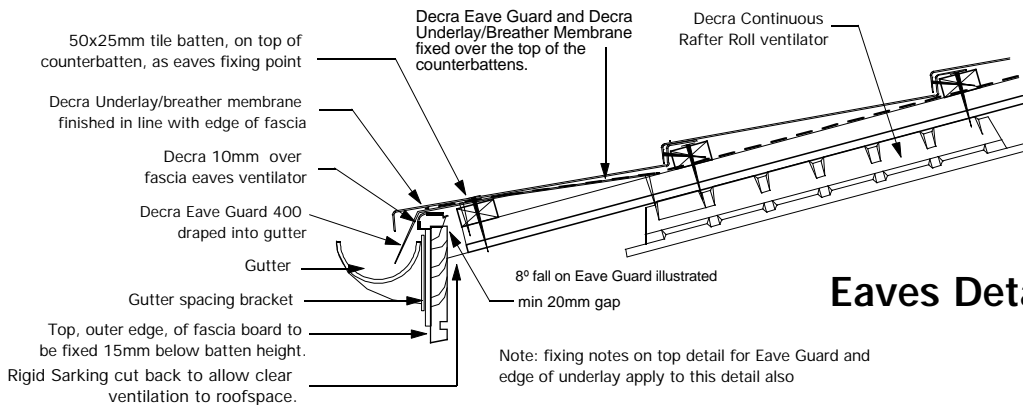
30° roof pitch illustrated

In re-roofing projects the Continuous Rafter Roll cannot be laid without partial removal of the sarking for access. If partial removal of the sarking is not possible or desirable some other method of ensuring clear ventilation between insulation and sarking should be employed.

At low roof pitches care must be taken when setting out the underlying roof structure that ponding does not occur.

Eaves Detail greater than 17.5° roof pitch

Scale 1:10



15° roof pitch illustrated

Note: Below 17.5° the Decra Underlay and Eave Guard are fixed **over the top of the counter battens**. It is essential that this is strictly adhered to in order to prevent ponding occurring.

Eaves Detail 15° to 17.5°

Scale 1:10

See notes for roof pitches below 15°

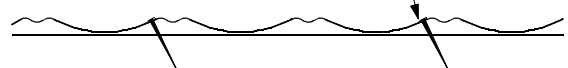
Notes:

This detail drawing is to be read in conjunction with the Decra Eave Guard 400 installation instructions.

Decra Eaves Guard has a front and back edge. It is essential that it is installed the right way round with the front edge draped into the gutter and the textured edge on top.

The 10mm eaves ventilator cannot be used where roof pitches are below 15°, the Decra 25mm over fascia vent should be used instead. For further information on ventilation recommendations see the information section of the Decra Technical Services CD, and see drawing No DPSS017 for the lower pitched, 600mm rafter spacing detail using the 25mm vent.

On eaves course of tile, the tiles are fixed vertically through the high point of the tile into the fascia board or batten directly behind the fascia with pre-coated Decra Plus Fixing Nails or Decra Plus Fixing Screws. The nail/screw heads to be covered with a finishing kit (supplied by Decra).



Decra®
Roof Systems Limited

A member of the Icopal Group



Unit 4
Crompton Fields
Crompton Way
Crawley
West Sussex
RH10 9QB

telephone: (01293) 545058/9
fax: (01293) 562709

email: technical@decra.co.uk
web-Site: <http://www.decra.co.uk>

DECRA PLUS

CONTENT **EAVES DETAIL VENTILATED USING EAVE GUARD 400, 10MM EAVES VENT AND 600MM RAFTER SPACING**

DRAWING SCALE **1:10**

DATE **15/04/03**

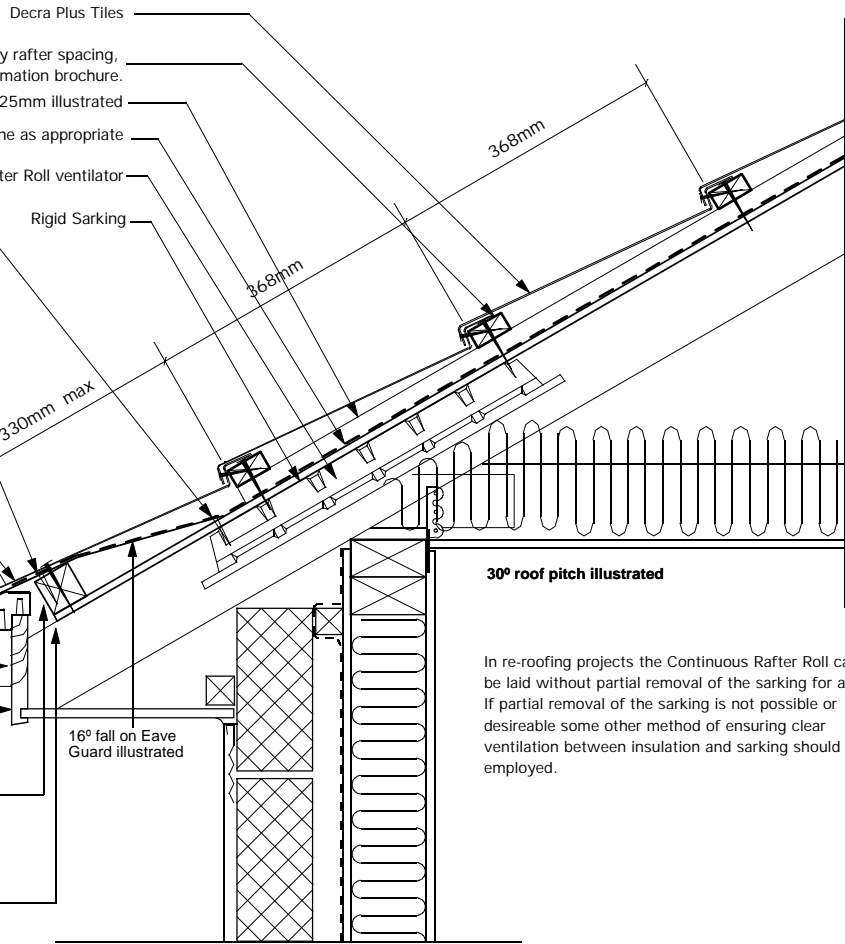
DRAWING NO **DPSS015**

REVISION

The copyright of this drawing and detail information belongs to Decra Roof Systems Limited. Reproduction or amendment outwith the terms of the licensing agreement by other parties is expressly forbidden.

Battens illustrated 50x25mm for rafter/truss spacing of 600mm

- Tiling Battens, size determined by rafter spacing, refer to technical information brochure.
- Counter Battens, max depth 25mm, 25mm illustrated
- Decra Underlay/Decra Breather membrane as appropriate
- Decra Continuous Rafter Roll ventilator
- Decra Eave Guard 400 fixed with one 40-50mm galvanised clout head nail at each rafter intersection, minimum 10mm from back edge of Eave Guard. Eave Guard kept 10mm min clear of front edge of second batten
- 50x50mm tile batten as eaves fixing point, min 20mm gap between fascia vent and batten
- Decra Underlay/breather membrane finished in line with edge of fascia, secured with galvanised clout headed nails at 300-400mm centres to the first tiling batten
- Decra 25mm over fascia eaves ventilator
- Decra Eave Guard 400 draped into gutter
- Gutter
- Gutter spacing bracket
- Top, outer edge, of fascia board to be fixed 25mm below batten height.
- Decra Eave Guard stretched tight and fixed with one 40-50mm galvanised clout head nail at each end to first tiling batten. Eave Guard laps minimum 100mm, only to occur over rafters, to be sealed with double sided Butyl strip supplied with Eave Guard kit.
- Rigid Sarking cut back to allow clear ventilation to roofspace.



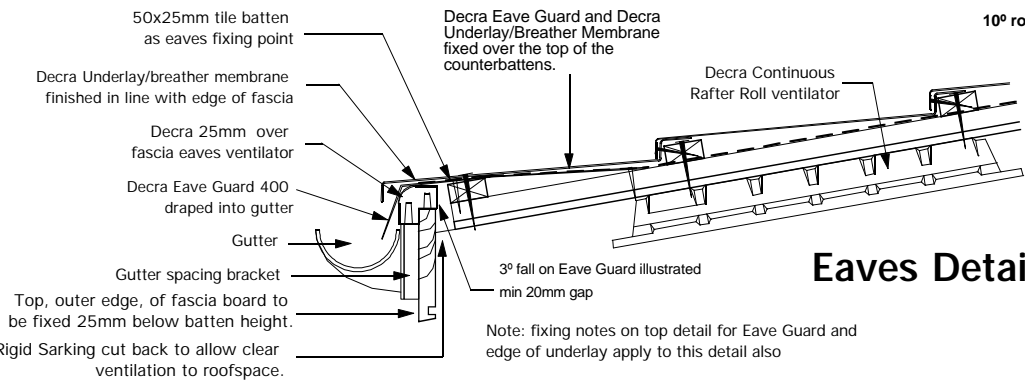
30° roof pitch illustrated

In re-roofing projects the Continuous Rafter Roll cannot be laid without partial removal of the sarking for access. If partial removal of the sarking is not possible or desirable some other method of ensuring clear ventilation between insulation and sarking should be employed.

At low roof pitches care must be taken when setting out the underlying roof structure that ponding does not occur.

Eaves Detail greater than 17.5° roof pitch

Scale 1:10



10° roof pitch illustrated

Note: Below 17.5° the Decra Underlay and Eave Guard are fixed over the top of the counter battens. It is essential that this is strictly adhered to in order to prevent ponding occurring.

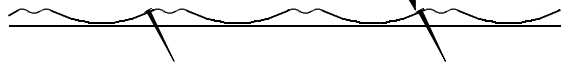
Eaves Detail 10° to 17.5°

Scale 1:10

Notes:

- This detail drawing is to be read in conjunction with the Decra Eave Gaurd 400 installation instructions.
- Decra Eaves Gaurd has a front and back edge. It is essential that it is installed the right way round with the front edge draped into the gutter and the textured edge on top.

On eaves course of tile, the tiles are fixed vertically through the high point of the tile into the fascia board or batten directly behind the fascia with pre-coated Decra Plus Fixing Nails or Decra Plus Fixing Screws. The nail/screw heads to be covered with a finishing kit (supplied by Decra).



Decra®
Roof Systems Limited
A member of the Icopal Group

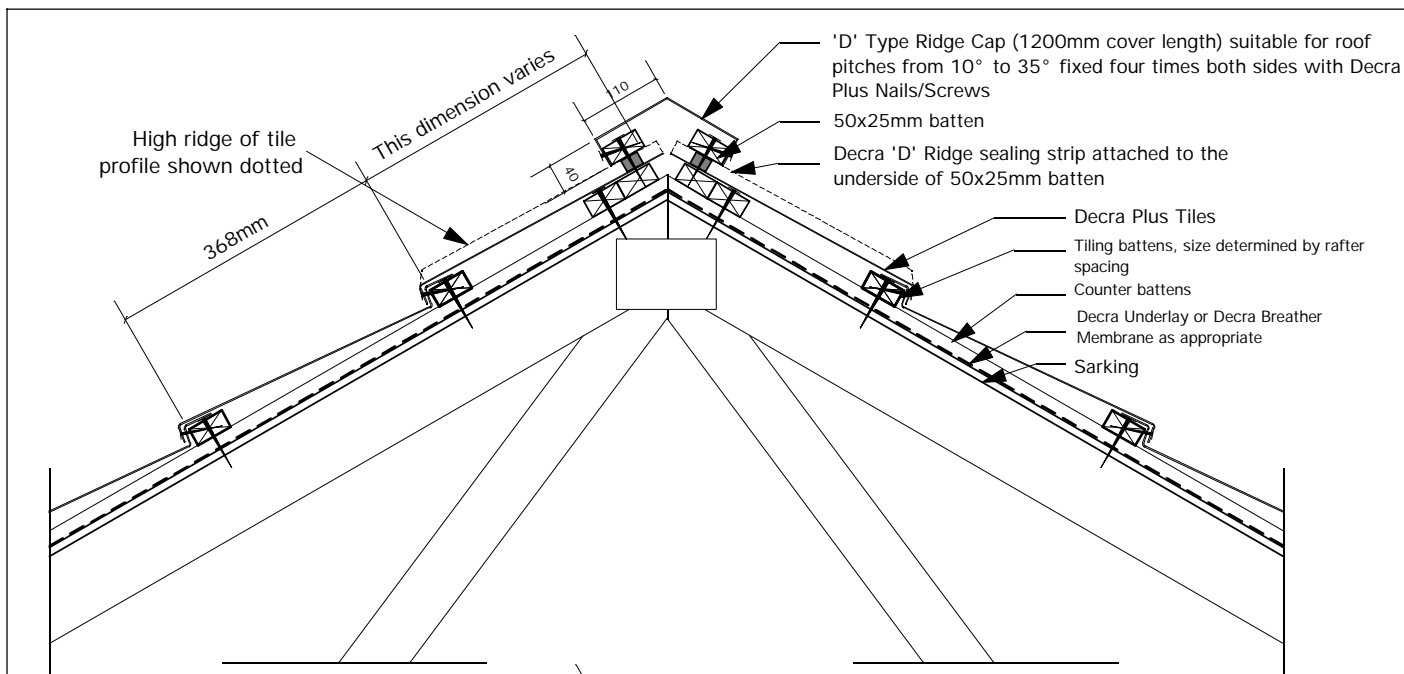


Unit 4
Crompton Fields
Crompton Way
Crawley
West Sussex
RH10 9QB

telephone: (01293) 545058/9
fax: (01293) 562709
email: technical@decra.co.uk
web-Site: <http://www.decra.co.uk>

The copyright of this drawing and detail information belongs to Decra Roof Systems Limited. Reproduction or amendment outwith the terms of the licensing agreement by other parties is expressly forbidden.

DECRA PLUS		
CONTENT	EAVES DETAIL VENTILATED USING EAVE GUARD 400, 25MM EAVES VENT AND 600MM RAFTER SPACING	
DRAWING SCALE	1:10	DATE 15/04/03
DRAWING NO	DPSS017	REVISION



'D' Ridge Detail

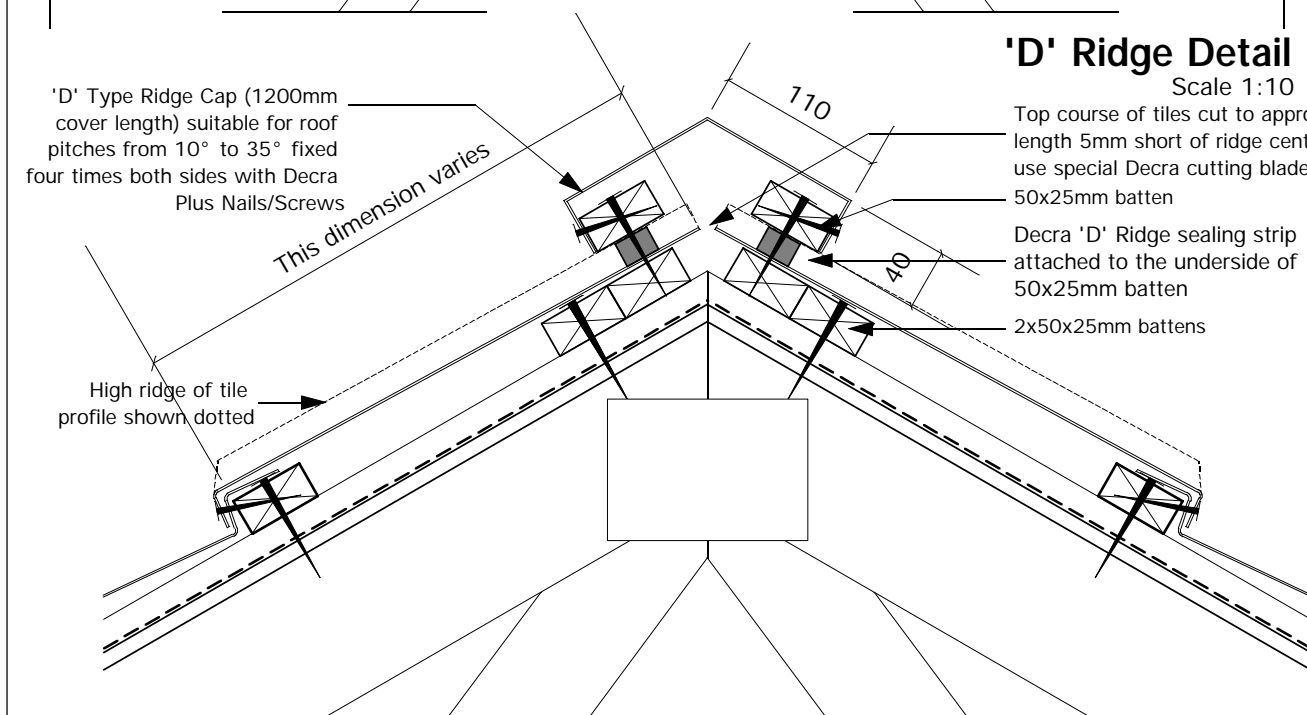
Scale 1:10

'D' Type Ridge Cap (1200mm cover length) suitable for roof pitches from 10° to 35° fixed four times both sides with Decra Plus Nails/Screws

This dimension varies

High ridge of tile profile shown dotted

Top course of tiles cut to appropriate length 5mm short of ridge centre line use special Decra cutting blade
50x25mm batten
Decra 'D' Ridge sealing strip attached to the underside of 50x25mm batten
2x50x25mm battens



'D' Ridge Detail

Scale 1:5

Notes:

Preformed Decra D Ridge end closure units are available

Decra®
Roof Systems Limited

A member of the Icopal Group



Unit 4
Crompton Fields
Crompton Way
Crawley
West Sussex
RH10 9QB

telephone: (01293) 545058/9

fax: (01293) 562709

email: technical@decra.co.uk

web-Site: <http://www.decra.co.uk>

The copyright of this drawing and detail information belongs to Decra Roof Systems Limited. Reproduction or amendment outwith the terms of the licensing agreement by other parties is expressly forbidden.

DECRA PLUS

CONTENT

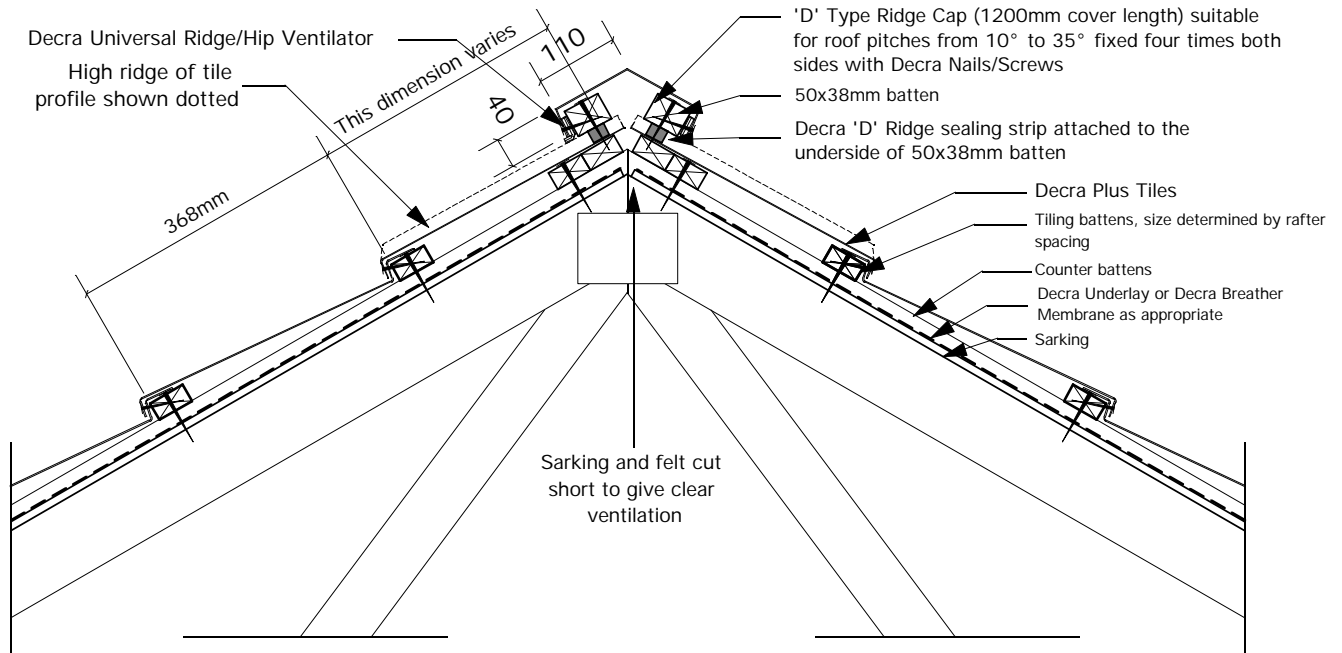
**DECRA PLUS
UNVENTILATED D RIDGE DETAILS**

DRAWING SCALE **1:5/10**

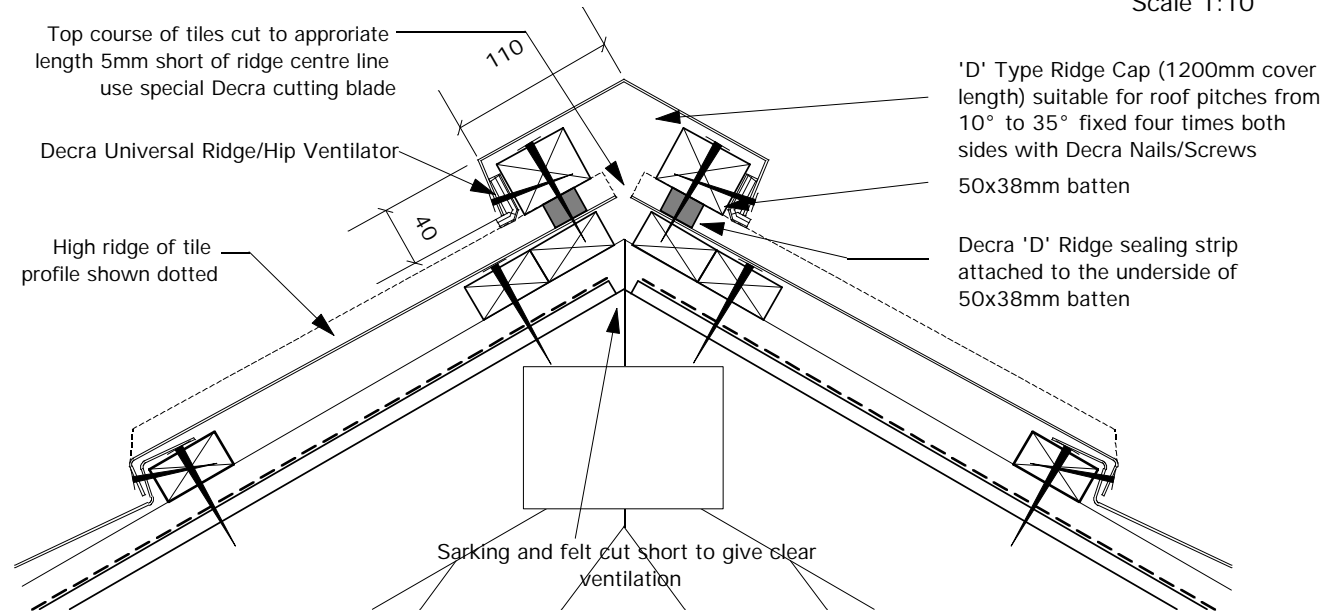
DATE **29/01/01**

DRAWING NO **DPSS020**

REVISION



Vented 'D' Ridge Detail
Scale 1:10



Vented 'D' Ridge Detail
Scale 1:10

Notes:

Preformed Decra D Ridge end closure units are available

Decra®
Roof Systems Limited

A member of the Icopal Group



Unit 4
Crompton Fields
Crompton Way
Crawley
West Sussex
RH10 9QB

telephone: (01293) 545058/9

fax: (01293) 562709

email: technical@decra.co.uk

web-Site: <http://www.decra.co.uk>

The copyright of this drawing and detail information belongs to Decra Roof Systems Limited. Reproduction or amendment outwith the terms of the licensing agreement by other parties is expressly forbidden.

DECRA PLUS

CONTENT
**DECRA PLUS
VENTILATED D RIDGE DETAIL
USING UNIVERSAL HIP/RIDGE VENTILATOR**

DRAWING SCALE **1:10** DATE **29/01/01**

DRAWING NO **DPSS021** REVISION

Universal D Ridge/Hip ventilator blanking pieces 1200mm long each side in length along ridge, centred on flue tile centre, to each side of gas flue terminal tile. Ventilation blanking pieces only used if rest of ridge is being ventilated with universal ridge ventilator.

High ridge of tile profile shown dotted

368mm

This dimension varies

Ø

R Type Ridge Terminal adapter supplied by others.

Battens and tiles to be cut back to leave minimum 25mm clearance between timber, tiles and R Type Flue adapter

D type Ridge Cap with Gas Flue Ridge Terminal.

Decra 'D' Ridge sealing strip attached to the underside of 50x25mm batten

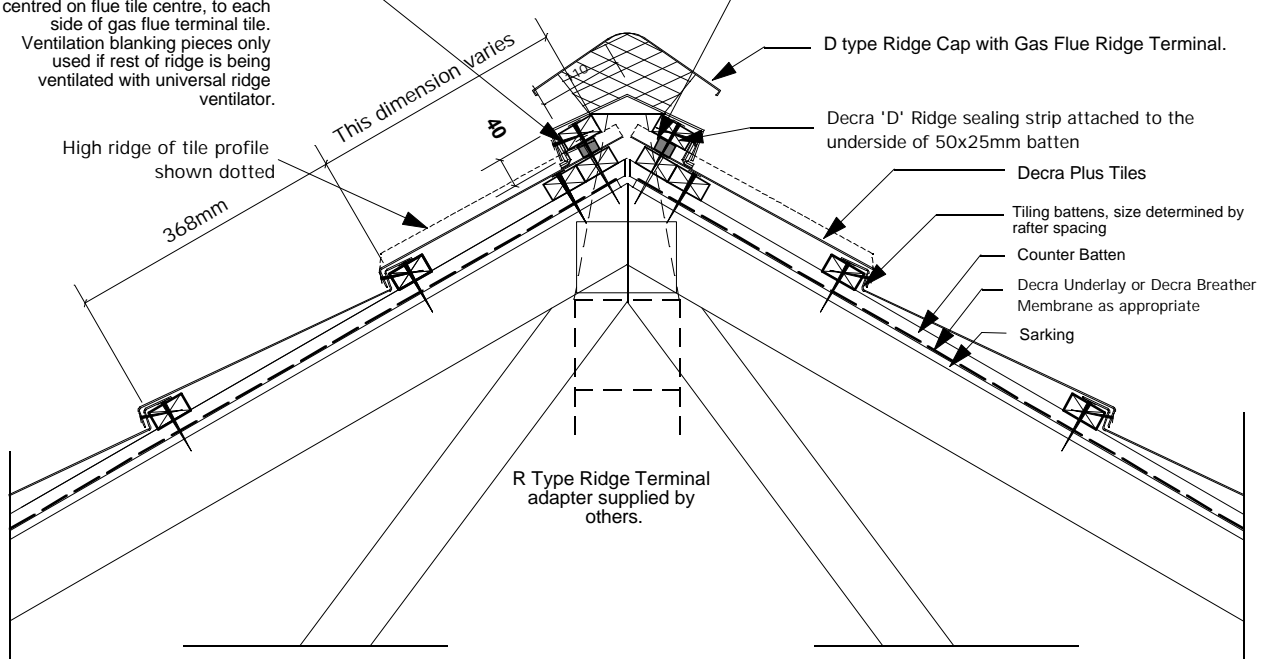
Decra Plus Tiles

Tiling battens, size determined by rafter spacing

Counter Batten

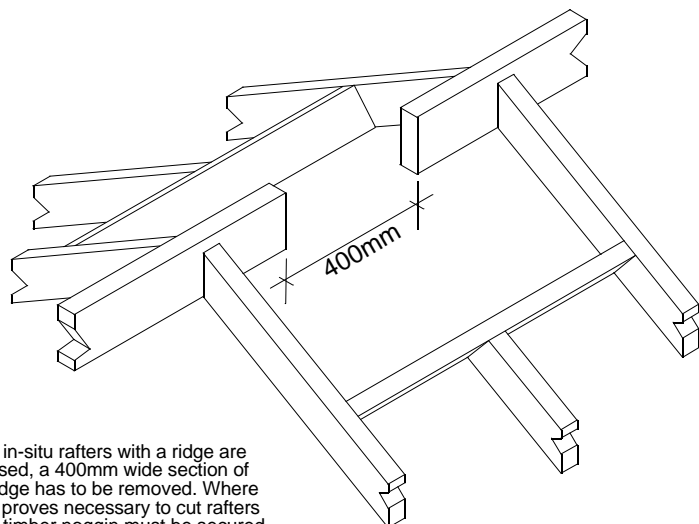
Decra Underlay or Decra Breather Membrane as appropriate

Sarking



Ridge Detail

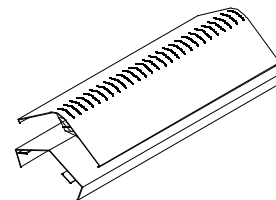
Scale 1:10



If in-situ rafters with a ridge are used, a 400mm wide section of ridge has to be removed. Where it proves necessary to cut rafters a timber noggin must be secured to rafters each side of the ridge.

Cut Ridge Board Detail

Scale 1:20



Flue Component Isometric

Scale 1:20

Notes:

To improve clearance between R Type adapter and flue terminal an extension piece (supplied by others) can be used.

This detail should be read in conjunction with the Gas Flue Terminal Installation Instructions. This is located on the Decra Technical Services CD, or may be obtained from Decra Roof Systems.

Decra[®]
Roof Systems Limited

A member of the Icopal Group



Unit 4
Crompton Fields
Crompton Way
Crawley
West Sussex
RH10 9QB

telephone: (01293) 545058/9

fax: (01293) 562709

email: technical@decra.co.uk

web-Site: <http://www.decra.co.uk>

The copyright of this drawing and detail information belongs to Decra Roof Systems Limited. Reproduction or amendment outwith the terms of the licensing agreement by other parties is expressly forbidden.

DECRA PLUS

CONTENT

**DECRA PLUS
D RIDGE FLUE TERMINAL**

DRAWING SCALE

1:10/20

DATE

07/09/98

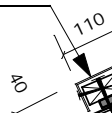
DRAWING NO

DPSS027

REVISION

'D' Type Ridge Cap (1200mm cover length) suitable for roof pitches from 10° to 35° fixed four times both sides with Decra Nails/Screws

Decra Plus Tiles



End course cut to appropriate length 5mm short of hip line using special Decra cutting blade.

Decra 'D' Ridge sealing strip attached to underside of 50x25mm batten

50x25mm batten fixed to tile battens along length of hip

Hip Rafter

Tile Battens

Counter battens

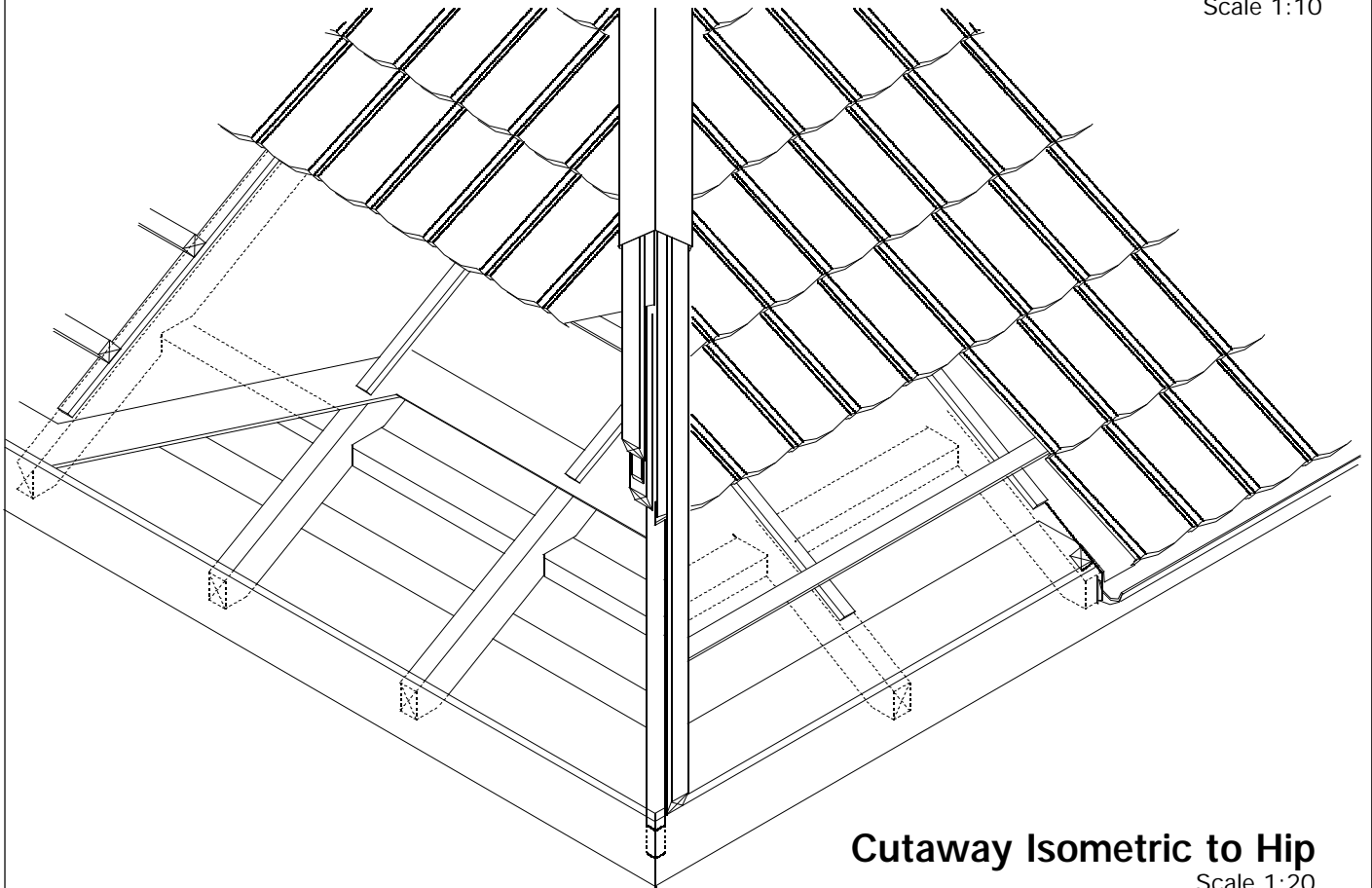
Decra Underlay or Decra Breather Membrane as appropriate

Rigid Sarking

Rafter

Hip Detail Using Decra 'D' Ridge

Scale 1:10



Cutaway Isometric to Hip

Scale 1:20

Notes:

Decra D Ridge Hip End Closure Units are available

Decra®
Roof Systems Limited

A member of the Icopal Group



Unit 4
Crompton Fields
Crompton Way
Crawley
West Sussex
RH10 9QB

telephone: (01293) 545058/9

fax: (01293) 562709

email: technical@decra.co.uk

web-Site: <http://www.decra.co.uk>

The copyright of this drawing and detail information belongs to Decra Roof Systems Limited. Reproduction or amendment outwith the terms of the licensing agreement by other parties is expressly forbidden.

DECRA PLUS

CONTENT

**DECRA PLUS
HIP DETAIL USING D TYPE RIDGE**

DRAWING SCALE

1:10/20

DATE

01/02/01

DRAWING NO

DPSS031

REVISION

'D' Type Ridge Cap (1200mm cover length) suitable for roof pitches from 10° to 35° fixed four times both sides with Decra Nails/Screws
Universal Decra Ridge and Hip Vent

Decra Plus Tiles

Rafter

Sarking and felt cut short to give clear ventilation

Decra Underlay or Decra Breather Membrane as appropriate
Rigid Sarking

Hip Rafter

Tile Battens

Counter battens

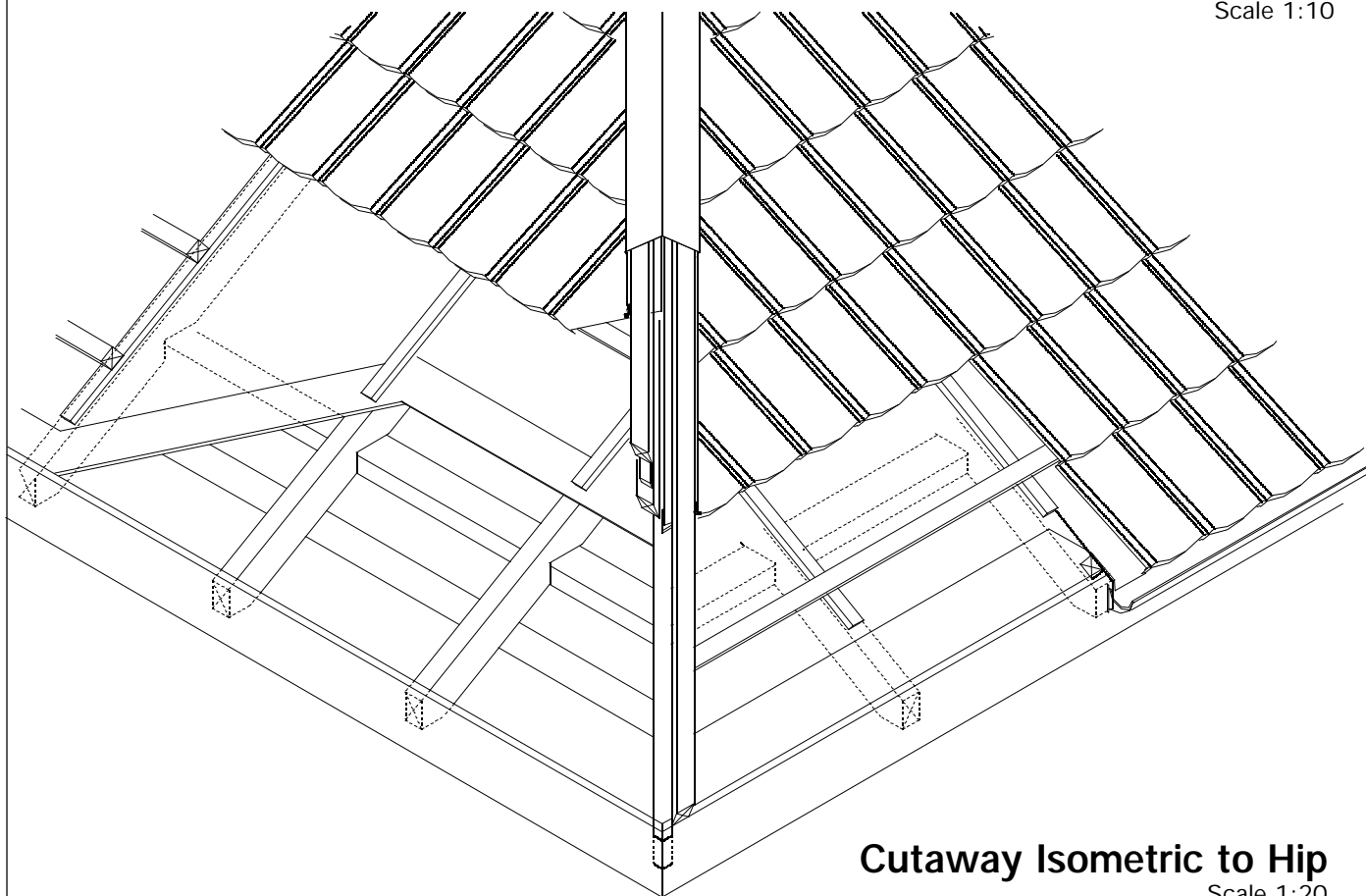
End course cut to appropriate length 5mm short of hip line using special Decra cutting blade.

Decra 'D' Ridge sealing strip attached to underside of 50x38mm batten

50x25mm batten fixed to tile battens along length of hip

Hip Detail Using Decra 'D' Ridge

Scale 1:10



Cutaway Isometric to Hip

Scale 1:20

Notes:

Decra D Ridge Hip End Closure Units are available

Decra[®]
Roof Systems Limited

A member of the Icopal Group



Unit 4
Crompton Fields
Crompton Way
Crawley
West Sussex
RH10 9QB

telephone: (01293) 545058/9

fax: (01293) 562709

email: technical@decra.co.uk

web-Site: <http://www.decra.co.uk>

The copyright of this drawing and detail information belongs to Decra Roof Systems Limited. Reproduction or amendment outwith the terms of the licensing agreement by other parties is expressly forbidden.

DECRA PLUS

CONTENT

**DECRA PLUS
HIP DETAIL USING D TYPE RIDGE
VENTILATED**

DRAWING SCALE

1:10/20

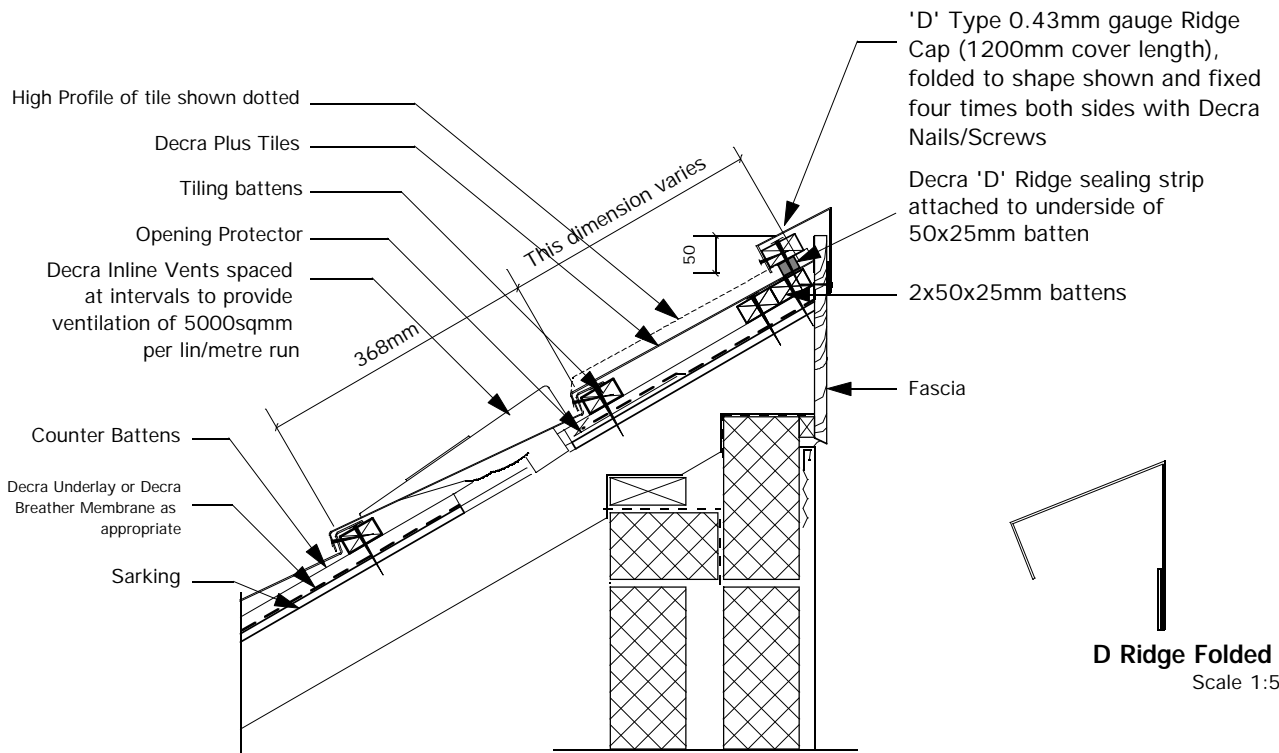
DATE

01/02/01

DRAWING NO

DPSS032

REVISION



Mono Ridge Detail
Scale 1:10

Notes:

This detail suitable up to maximum 35° only

Decra®
Roof Systems Limited

A member of the Icopal Group



Unit 4
Crompton Fields
Crompton Way
Crawley
West Sussex
RH10 9QB

telephone: (01293) 545058/9
fax: (01293) 562709

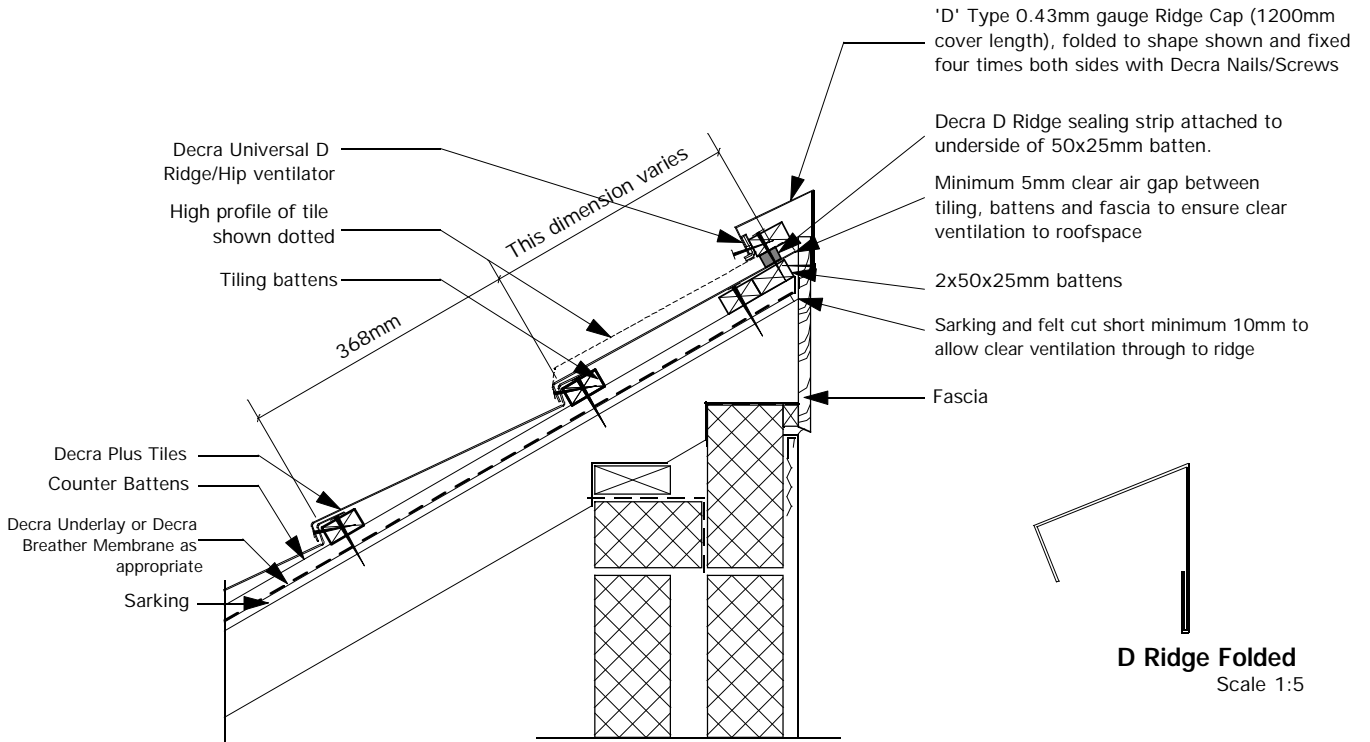
email: technical@decra.co.uk
web-Site: <http://www.decra.co.uk>

The copyright of this drawing and detail information belongs to Decra Roof Systems Limited. Reproduction or amendment outwith the terms of the licensing agreement by other parties is expressly forbidden.

DECRA PLUS

**DECRA PLUS
MONO RIDGE DETAIL
(D TYPE RIDGE)**

CONTENT	DECRA PLUS MONO RIDGE DETAIL (D TYPE RIDGE)	
DRAWING SCALE	1:10	DATE 01/02/01
DRAWING NO	DPSS040	REVISION



Mono Ridge Detail
Scale 1:10

Notes:

This detail suitable up to maximum 35° only

Decra®
Roof Systems Limited

A member of the Icopal Group



Unit 4
Crompton Fields
Crompton Way
Crawley
West Sussex
RH10 9QB

telephone: (01293) 545058/9

fax: (01293) 562709

email: technical@decra.co.uk

web-Site: <http://www.decra.co.uk>

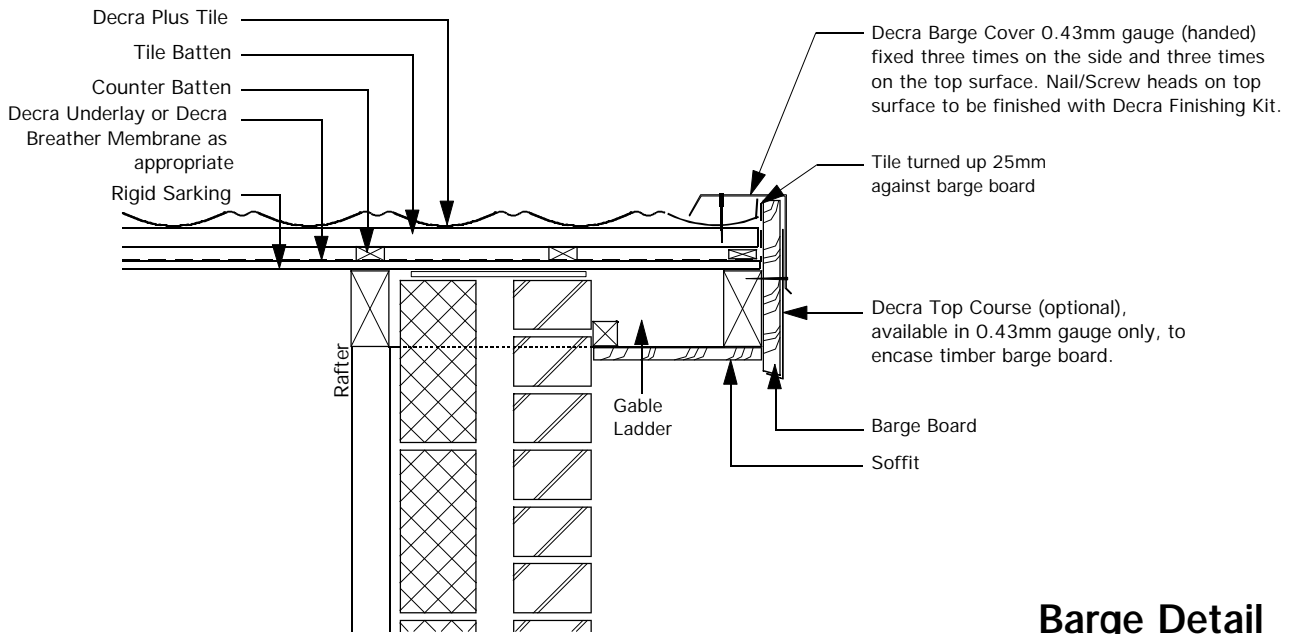
The copyright of this drawing and detail information belongs to Decra Roof Systems Limited. Reproduction or amendment outwith the terms of the licensing agreement by other parties is expressly forbidden.

DECRA PLUS

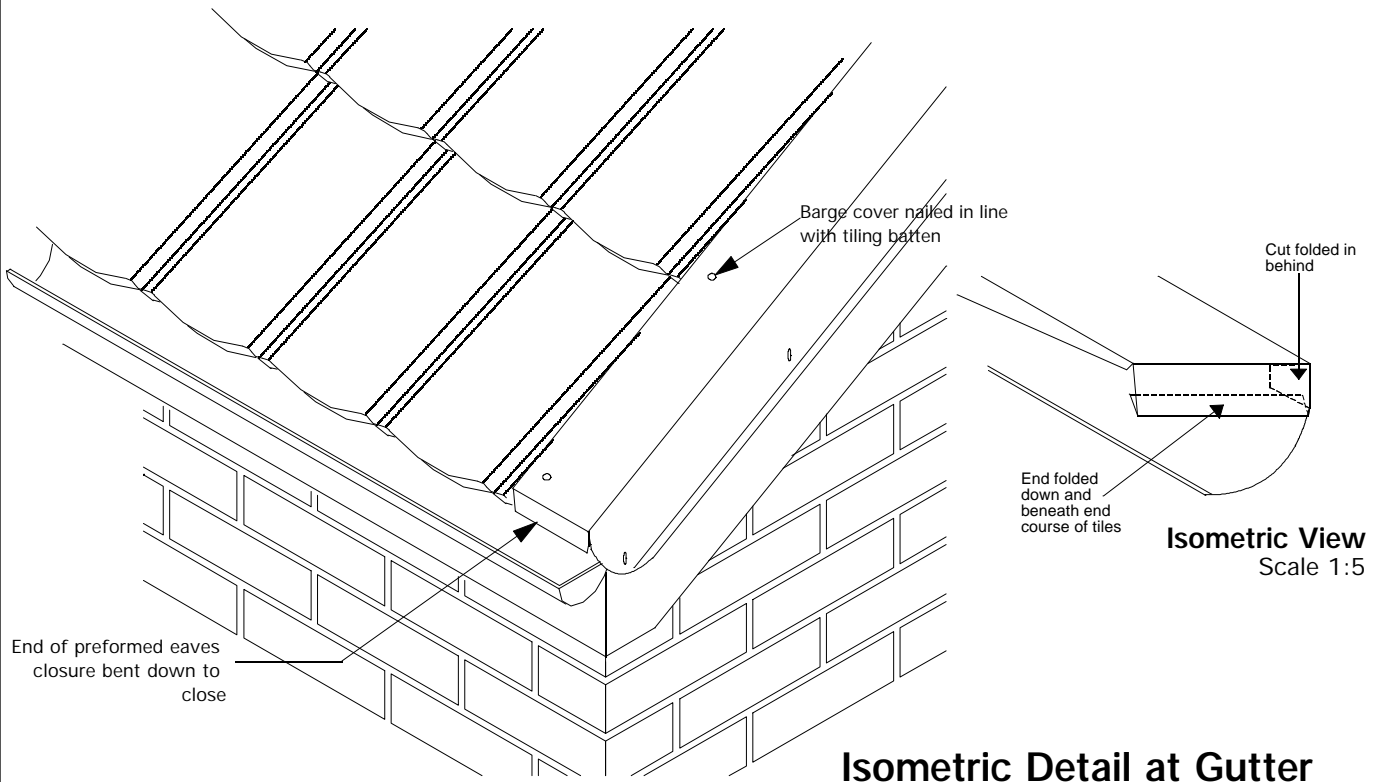
CONTENT	DECRA PLUS MONO RIDGE DETAIL D RIDGE WITH UNIVERSAL D HIP/RIDGE VENT	
---------	---	--

DRAWING SCALE	1:10	DATE	01/02/01
---------------	-------------	------	-----------------

DRAWING NO	DPSS041	REVISION	
------------	----------------	----------	--



Barge Detail
Scale 1:10



Notes:

Decra Barge Covers available in 0.43mm standard gauge

Decra[®]
Roof Systems Limited

A member of the Icopal Group



Unit 4
Crompton Fields
Crompton Way
Crawley
West Sussex
RH10 9QB

telephone: (01293) 545058/9
fax: (01293) 562709

email: technical@decra.co.uk
web-Site: <http://www.decra.co.uk>

The copyright of this drawing and detail information belongs to Decra Roof Systems Limited. Reproduction or amendment outwith the terms of the licensing agreement by other parties is expressly forbidden.

DECRA PLUS

CONTENT

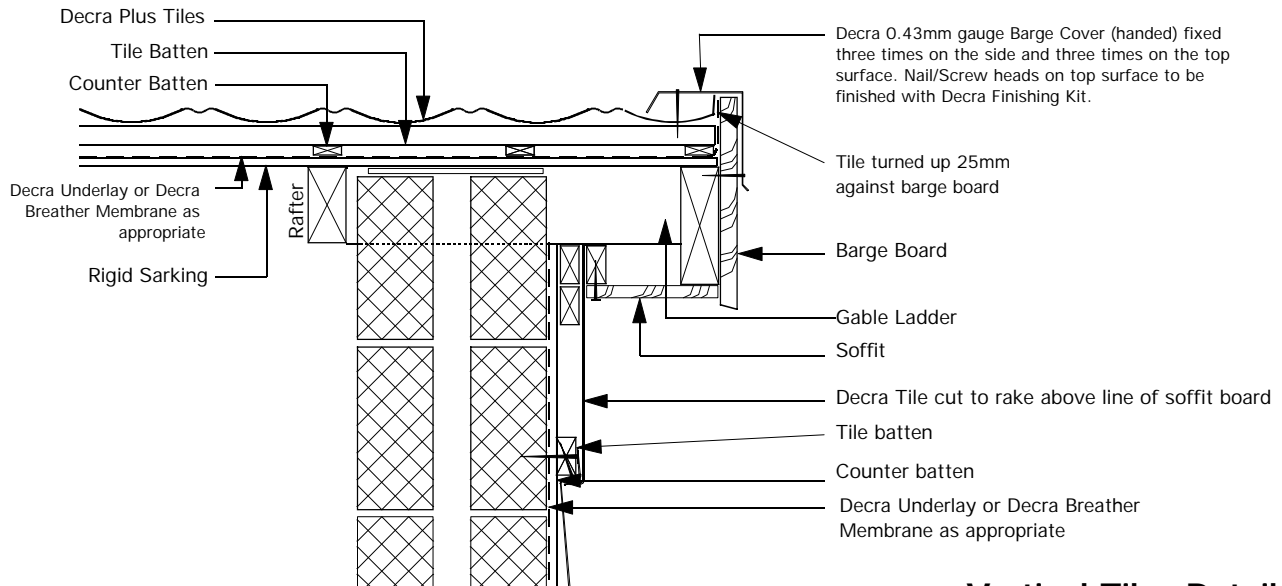
**DECRA PLUS
VERGE DETAIL**

DRAWING SCALE **1:10**

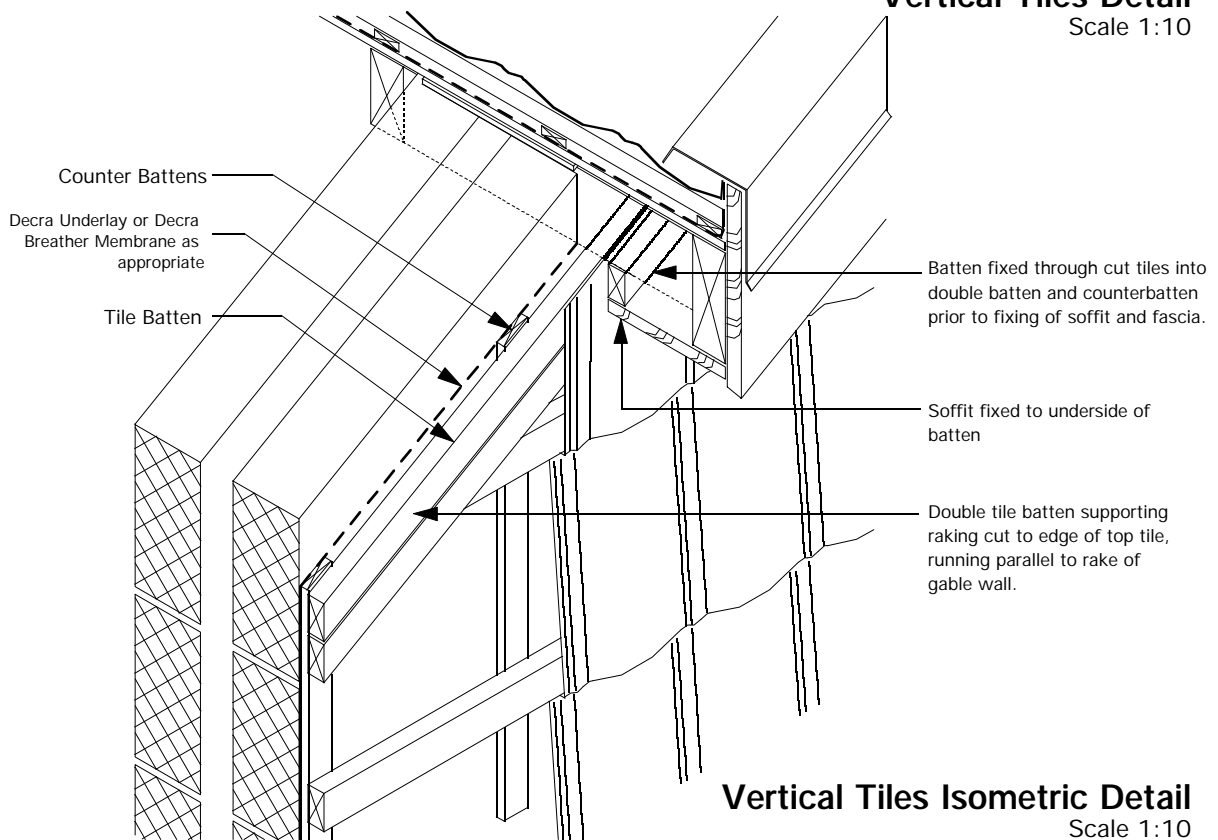
DATE **01/02/01**

DRAWING NO **DPSS050**

REVISION



Vertical Tiles Detail
Scale 1:10



Vertical Tiles Isometric Detail
Scale 1:10

Notes:

Decra[®]
Roof Systems Limited

A member of the Icopal Group



Unit 4
Crompton Fields
Crompton Way
Crawley
West Sussex
RH10 9QB

telephone: (01293) 545058/9

fax: (01293) 562709

email: technical@decra.co.uk

web-Site: <http://www.decra.co.uk>

The copyright of this drawing and detail information belongs to Decra Roof Systems Limited. Reproduction or amendment outwith the terms of the licensing agreement by other parties is expressly forbidden.

DECRA PLUS

**DECRA PLUS
VERTICAL TILING DETAIL**

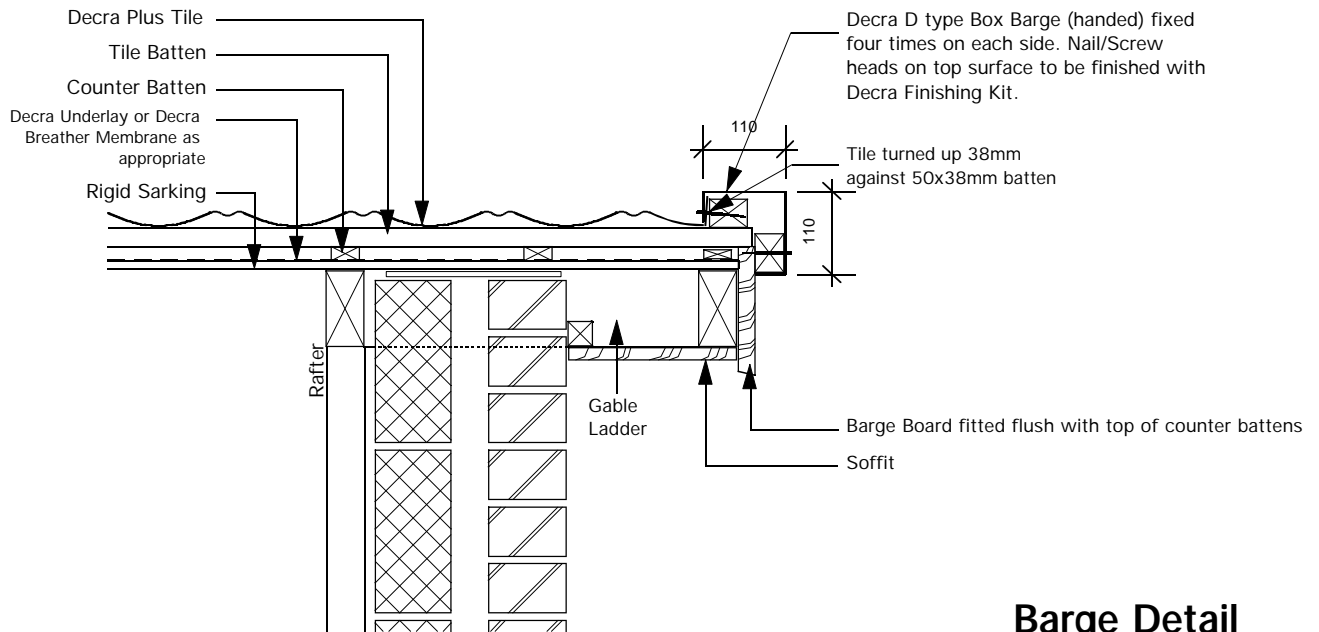
CONTENT

DRAWING SCALE **1:10**

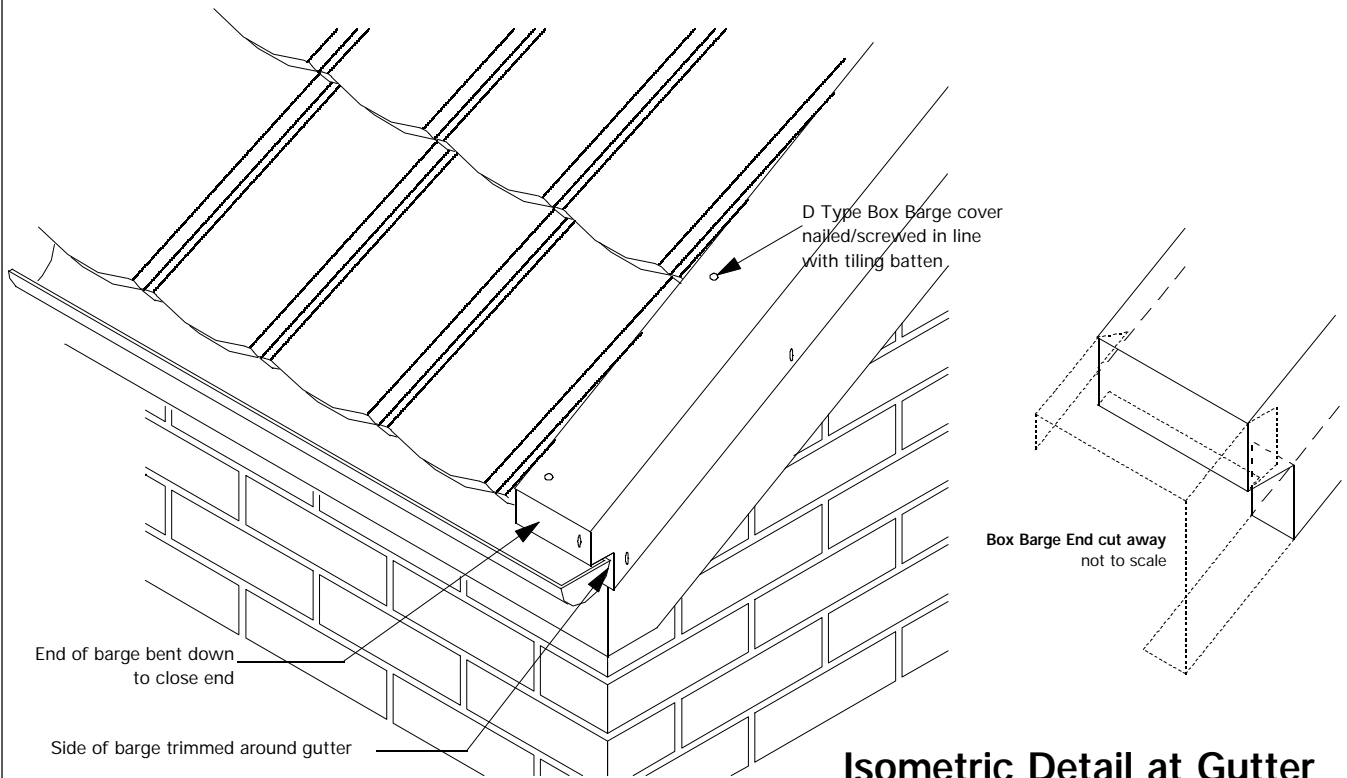
DATE **01/02/01**

DRAWING NO **DPSS051**

REVISION



Barge Detail
Scale 1:10



Isometric Detail at Gutter
Scale 1:10

Notes:

Decra[®]
Roof Systems Limited

A member of the Icopal Group



Unit 4
Crompton Fields
Crompton Way
Crawley
West Sussex
RH10 9QB

telephone: (01293) 545058/9
fax: (01293) 562709

email: technical@decra.co.uk
web-Site: <http://www.decra.co.uk>

The copyright of this drawing and detail information belongs to Decra Roof Systems Limited. Reproduction or amendment outwith the terms of the licensing agreement by other parties is expressly forbidden.

DECRA PLUS

CONTENT

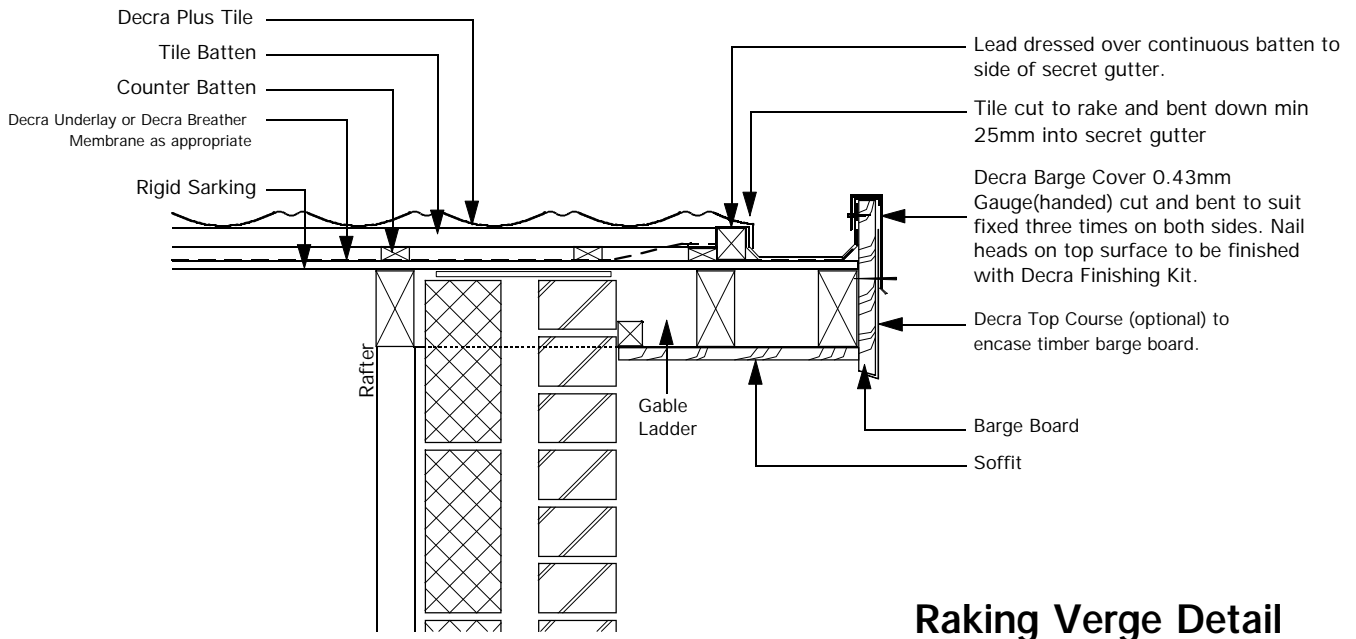
DECRA PLUS
VERGE DETAIL USING 'D' BOX BARGE

DRAWING SCALE **1:10**

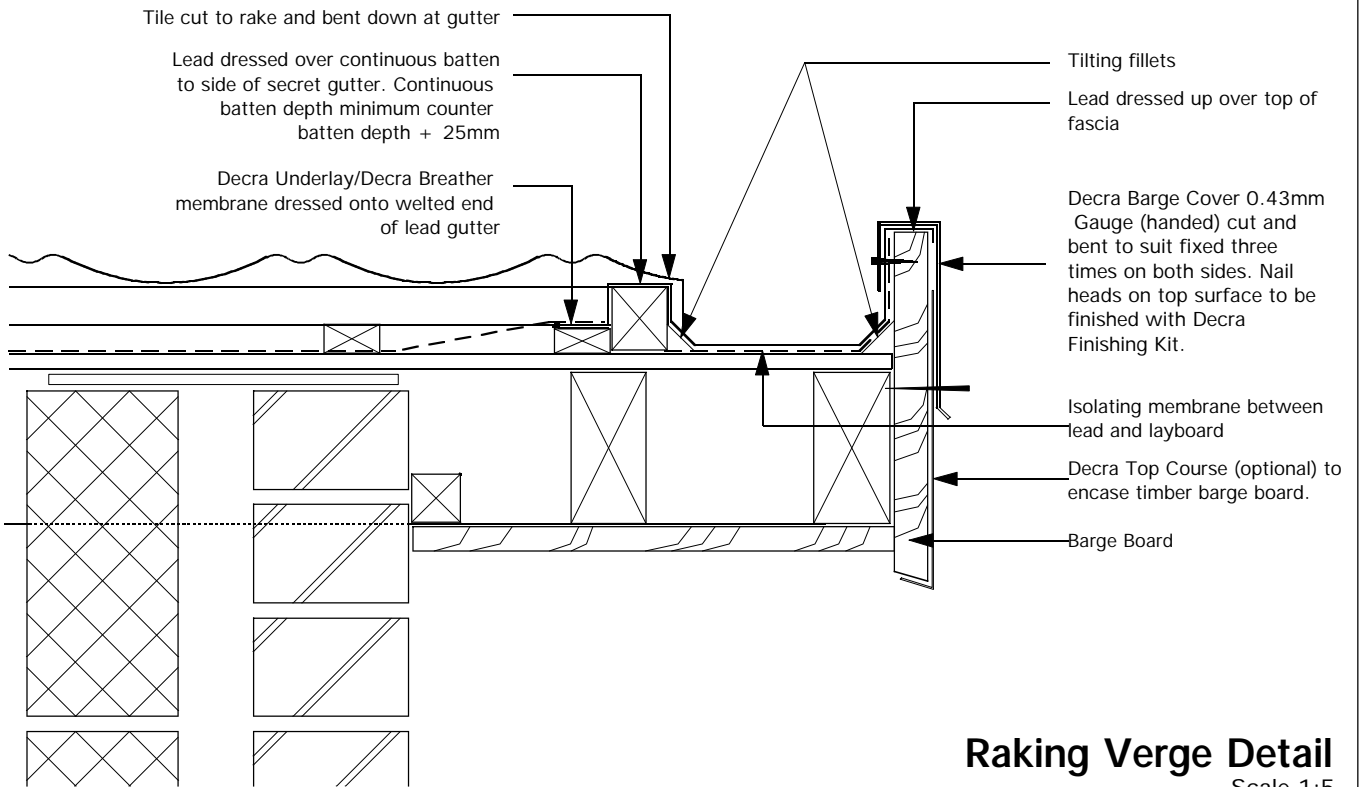
DATE **01/02/01**

DRAWING NO **DPSS052**

REVISION



Raking Verge Detail
Scale 1:10



Raking Verge Detail
Scale 1:5

Notes:

Gutter width and depth shown are indicative.
Valley gutter sizes to be adjusted as required to comply with calculated width requirements of Code Of Practice as set out in BS 5534: Part1 and BS 6367

Decra[®]
Roof Systems Limited
A member of the Icopal Group



Unit 4
Crompton Fields
Crompton Way
Crawley
West Sussex
RH10 9QB

telephone: (01293) 545058/9
fax: (01293) 562709
email: technical@decra.co.uk
web-Site: <http://www.decra.co.uk>

The copyright of this drawing and detail information belongs to Decra Roof Systems Limited. Reproduction or amendment outwith the terms of the licensing agreement by other parties is expressly forbidden.

DECRA PLUS

CONTENT

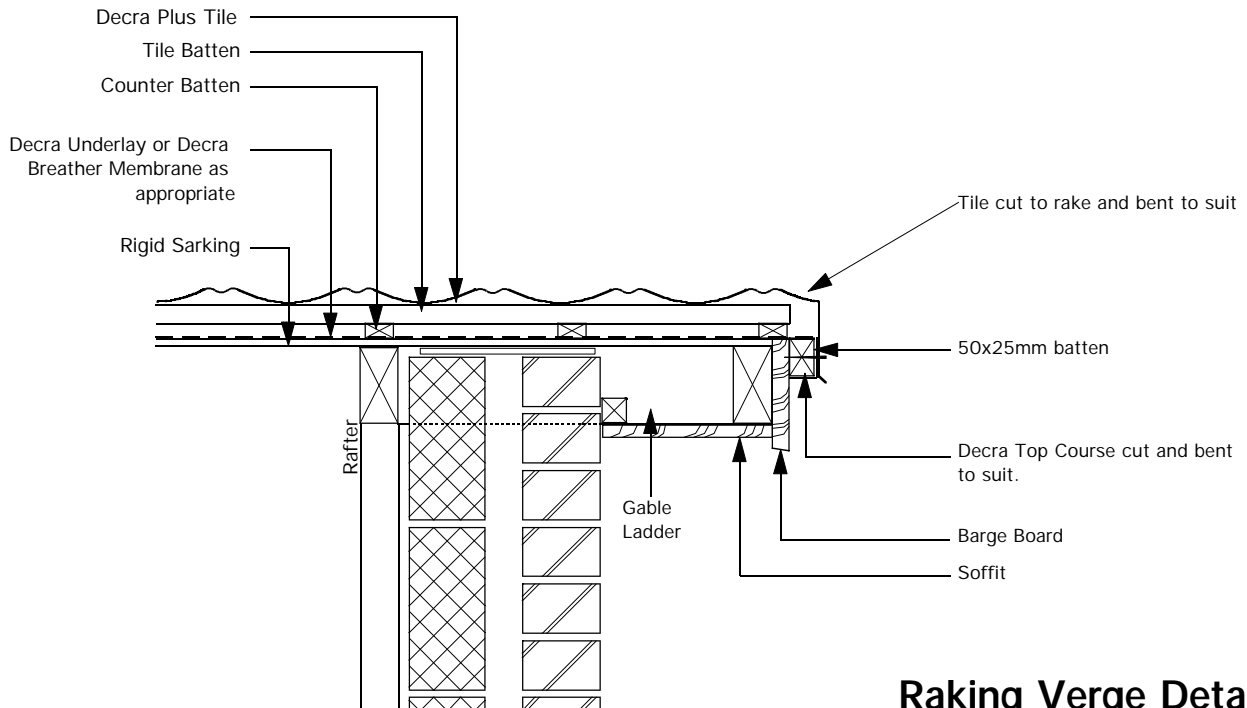
DECRA PLUS
RAKING VERGE - INTERNAL GUTTER

DRAWING SCALE **1:10**

DATE **07/02/01**

DRAWING NO **DPSS053**

REVISION



Raking Verge Detail
Scale 1:10

Notes:

Consideration should be given to the method of adequately draining rainwater run-off from the roof when using this detail. Where an external gutter is to be used the manufacturer's recommendations regarding minimum and maximum falls should be strictly adhered to.

Decra[®]
Roof Systems Limited
A member of the Icopal Group



Unit 4
Crompton Fields
Crompton Way
Crawley
West Sussex
RH10 9QB

telephone: (01293) 545058/9
fax: (01293) 562709
email: technical@decra.co.uk
web-Site: <http://www.decra.co.uk>

The copyright of this drawing and detail information belongs to Decra Roof Systems Limited. Reproduction or amendment outwith the terms of the licensing agreement by other parties is expressly forbidden.

DECRA PLUS

**DECRA PLUS
RAKING VERGE DETAIL**

CONTENT

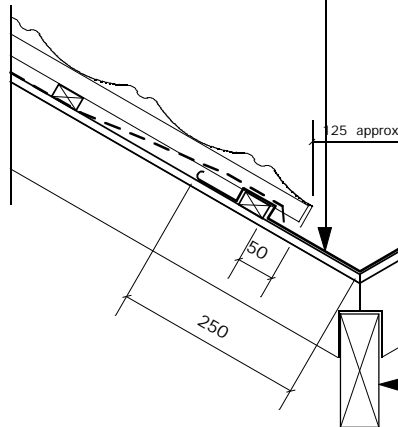
DRAWING SCALE **1:10**

DATE **07/02/01**

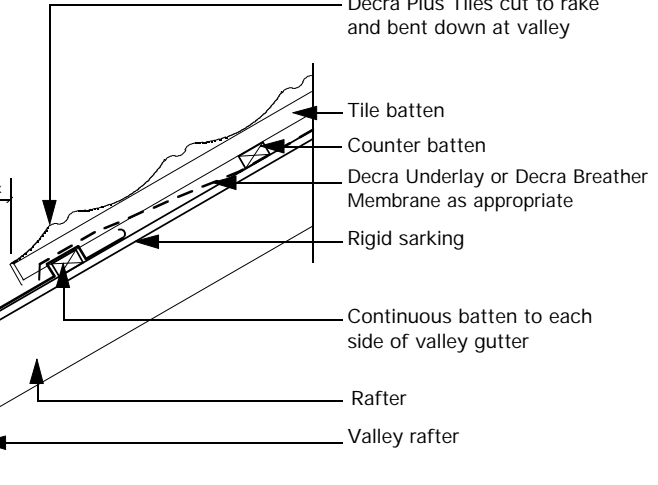
DRAWING NO **DPSS054**

REVISION

Lead valley tray (by others) taken over batten and welded as shown

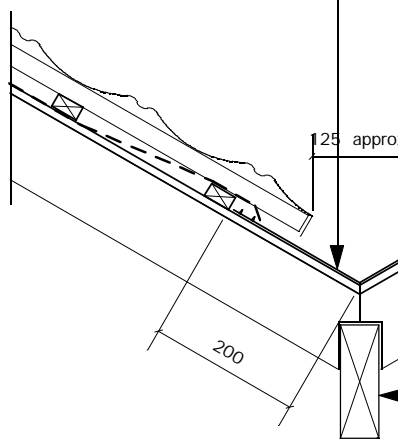


Decra Plus Tiles cut to rake and bent down at valley

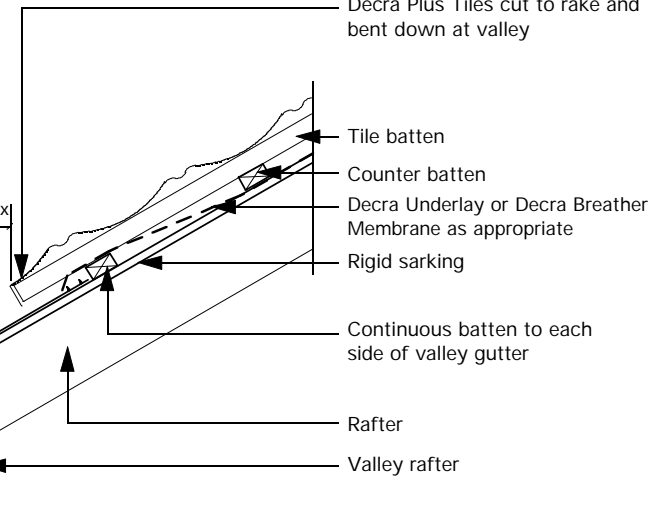


Lead Valley Detail
Scale 1:10

Preformed GRP Valley tray, Thickness of counter battens to suit.



Decra Plus Tiles cut to rake and bent down at valley



GRP Valley Detail
Scale 1:10

Notes:

Valley gutter sizes to be adjusted as required to comply with calculated width requirements of Code Of Practice as set out in BS 5534: Part 1

Decra[®]
Roof Systems Limited
A member of the Icopal Group



Unit 4
Crompton Fields
Crompton Way
Crawley
West Sussex
RH10 9QB

telephone: (01293) 545058/9
fax: (01293) 562709
email: technical@decra.co.uk
web-Site: <http://www.decra.co.uk>

DECRA PLUS

**DECRA PLUS
VALLEY GUTTER DETAILS**

CONTENT

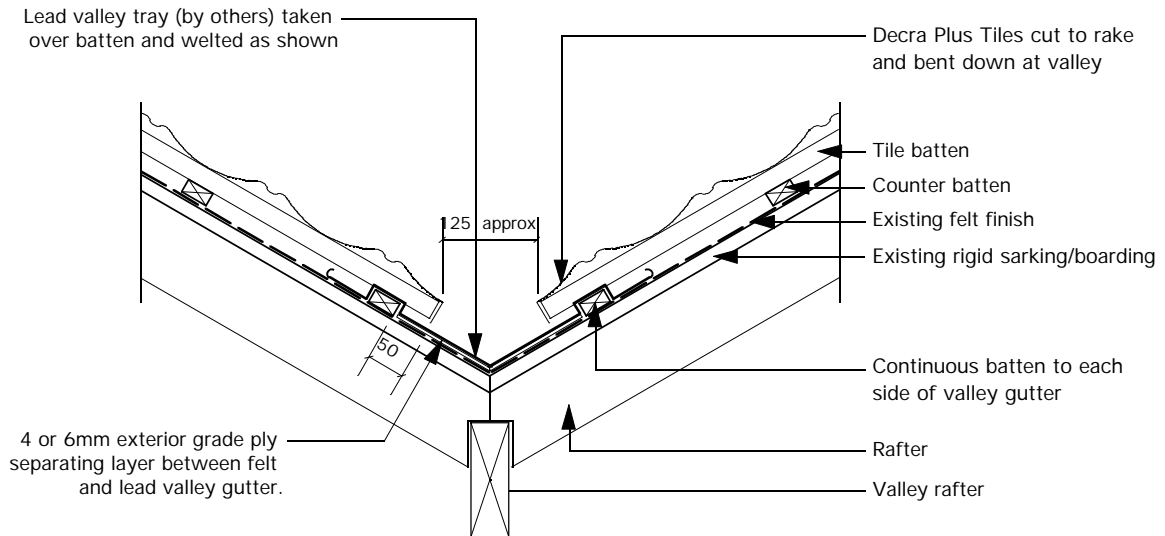
DRAWING SCALE **1:10**

DATE **01/02/01**

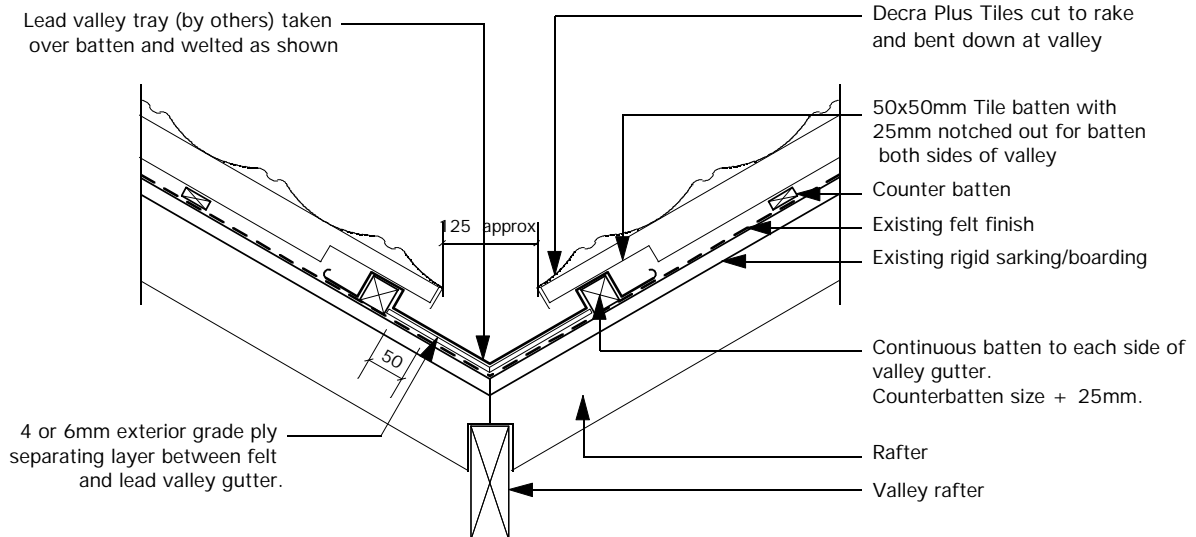
DRAWING NO **DPSS055**

REVISION

The copyright of this drawing and detail information belongs to Decra Roof Systems Limited. Reproduction or amendment outwith the terms of the licensing agreement by other parties is expressly forbidden.



Lead Valley Detail On Felt or Boarded Roof
Scale 1:10



Lead Valley Detail using 50x50mm Tile Battens
Scale 1:10

Notes:

Valley gutter sizes to be adjusted as required to comply with calculated width requirements of Code Of Practice as set out in BS 5534: Part 1

Decra®
Roof Systems Limited
A member of the Icopal Group



Unit 4
Crompton Fields
Crompton Way
Crawley
West Sussex
RH10 9QB

telephone: (01293) 545058/9
fax: (01293) 562709
email: technical@decra.co.uk
web-Site: <http://www.decra.co.uk>

The copyright of this drawing and detail information belongs to Decra Roof Systems Limited. Reproduction or amendment outwith the terms of the licensing agreement by other parties is expressly forbidden.

DECRA PLUS

CONTENT

**DECRA PLUS
VALLEY GUTTER DETAILS
TO FELTED/BOARDED ROOF**

DRAWING SCALE

1:10

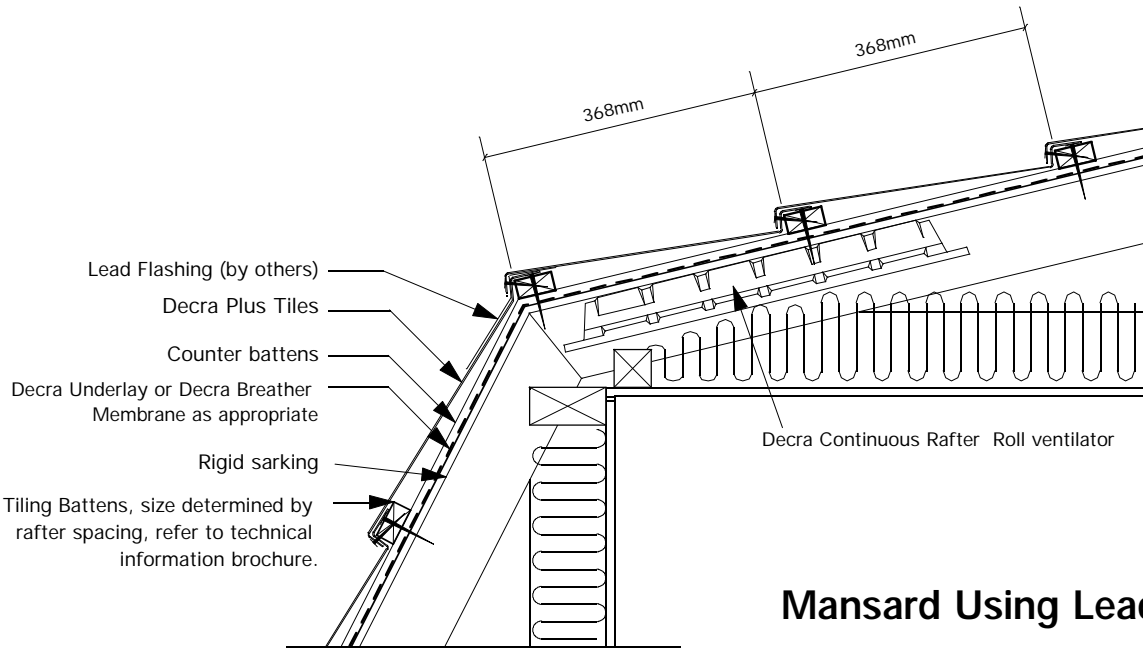
DATE

01/02/01

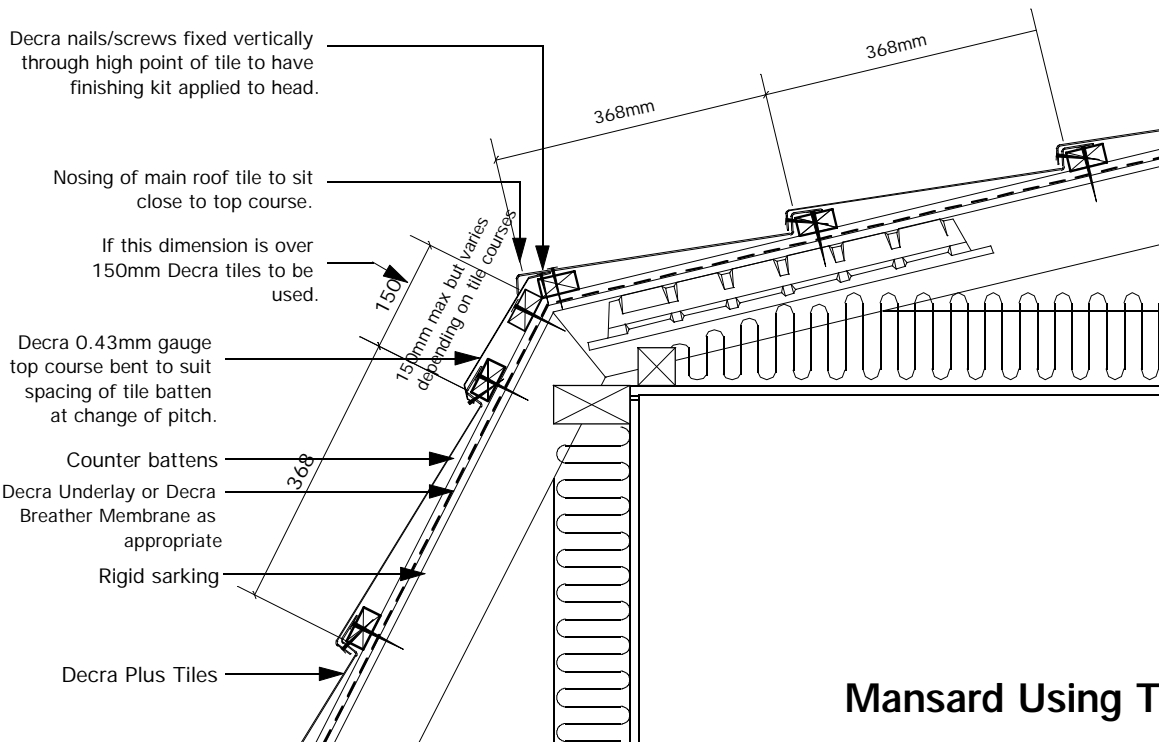
DRAWING NO

DPSS056

REVISION



Mansard Using Lead Flashing
Scale 1:10



Mansard Using Top Course
Scale 1:10

Notes:

In re-roofing projects the Continuous Rafter Roll cannot be laid without partial removal of the sarking for access. If partial removal of the sarking is not possible or desirable some other method of ensuring clear ventilation between insulation and sarking should be employed.

Decra®
Roof Systems Limited
A member of the Icopal Group



Unit 4
Crompton Fields
Crompton Way
Crawley
West Sussex
RH10 9QB

telephone: (01293) 545058/9
fax: (01293) 562709
email: technical@decra.co.uk
web-Site: <http://www.decra.co.uk>

The copyright of this drawing and detail information belongs to Decra Roof Systems Limited. Reproduction or amendment outwith the terms of the licensing agreement by other parties is expressly forbidden.

DECRA PLUS

**DECRA PLUS
MANSARD ROOF DETAIL**

CONTENT

DRAWING SCALE

1:10

DATE

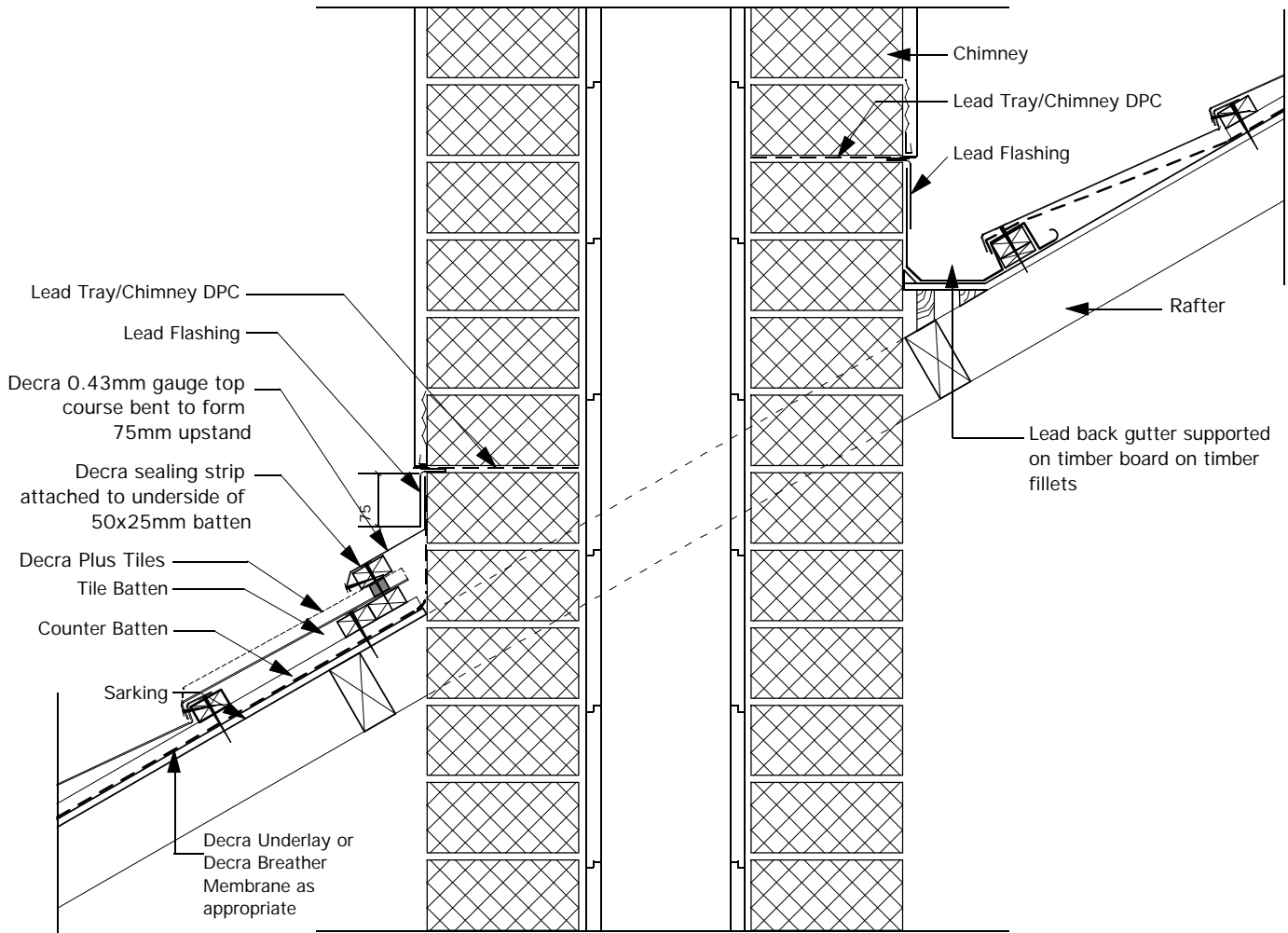
01/02/01

DRAWING NO

DPSS060

REVISION

Note:
Flue diameter and thickness of blockwork to comply with building regulations requirements. Thicknesses shown are indicative



Flashing Details to Chimney
Scale 1:10

Notes:

Decra[®]
Roof Systems Limited

A member of the Icopal Group



Unit 4
Crompton Fields
Crompton Way
Crawley
West Sussex
RH10 9QB

telephone: (01293) 545058/9
fax: (01293) 562709

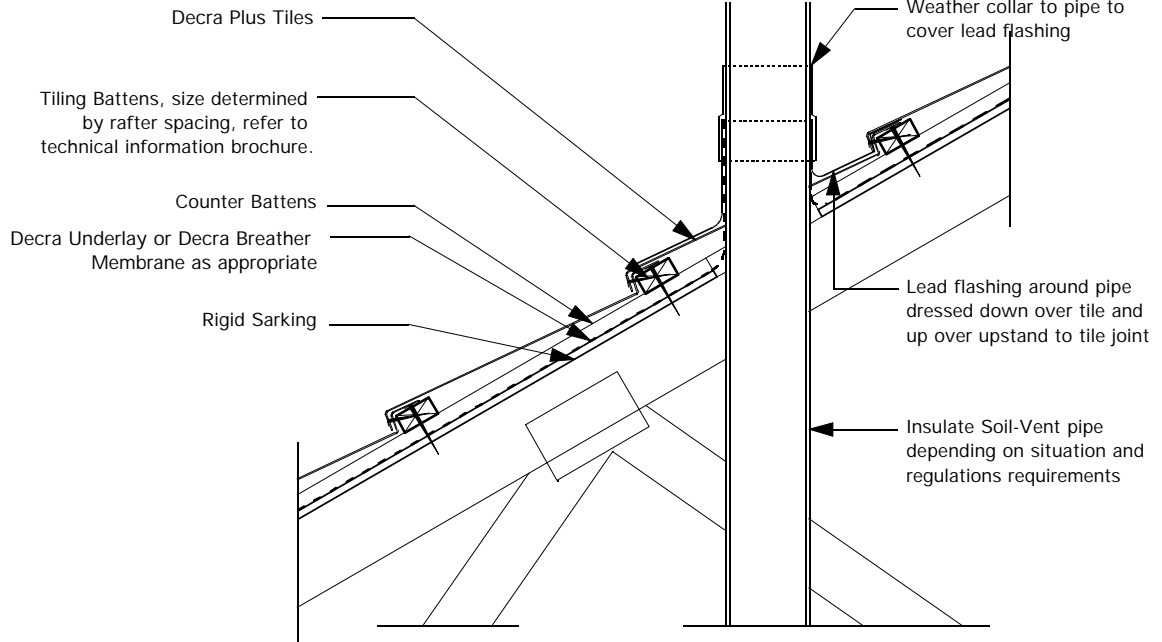
email: technical@decra.co.uk
web-Site: <http://www.decra.co.uk>

The copyright of this drawing and detail information belongs to Decra Roof Systems Limited. Reproduction or amendment outwith the terms of the licensing agreement by other parties is expressly forbidden.

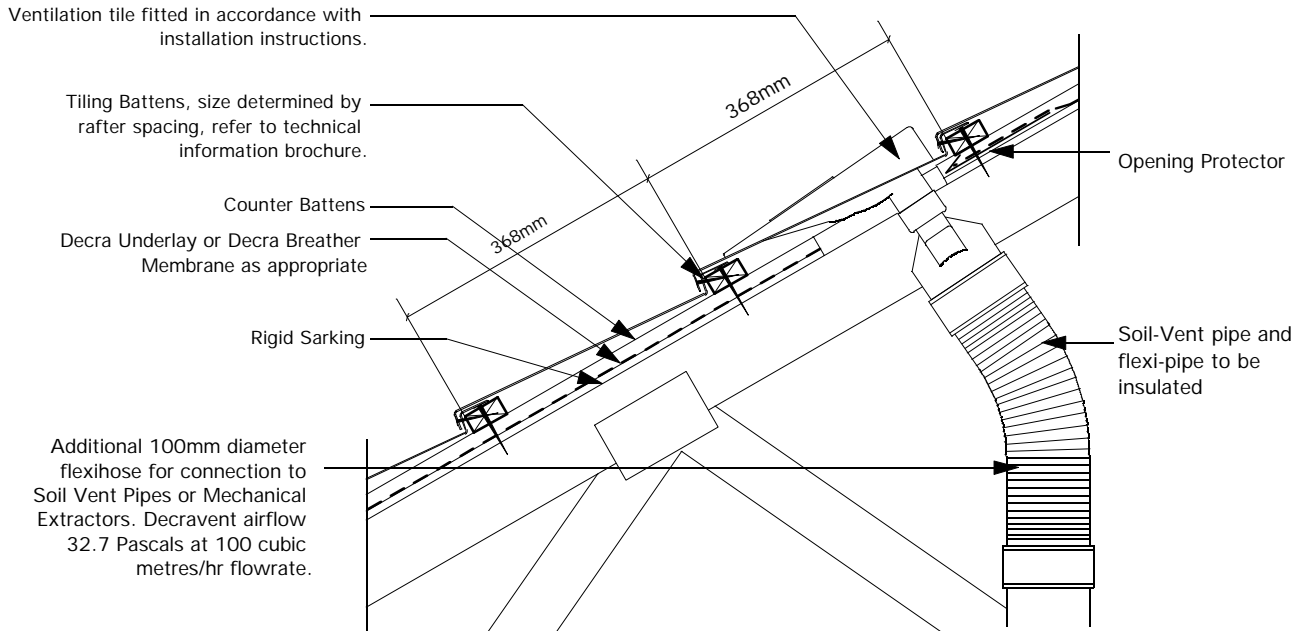
DECRA PLUS

CONTENT
**DECRA PLUS
FLASHING DETAILS TO CHIMNEY**

DRAWING SCALE	1:10	DATE	01/02/01
DRAWING NO	DPSS061	REVISION	



Soil Vent Pipe Through Roof
Scale 1:10



Decra InLine Tile Ventilator to Soil Vent Pipe
Scale 1:10

Notes:

Decra[®]
Roof Systems Limited
A member of the Icopal Group



Unit 4
Crompton Fields
Crompton Way
Crawley
West Sussex
RH10 9QB

telephone: (01293) 545058/9
fax: (01293) 562709
email: technical@decra.co.uk
web-Site: <http://www.decra.co.uk>

The copyright of this drawing and detail information belongs to Decra Roof Systems Limited. Reproduction or amendment outwith the terms of the licensing agreement by other parties is expressly forbidden.

DECRA PLUS

CONTENT

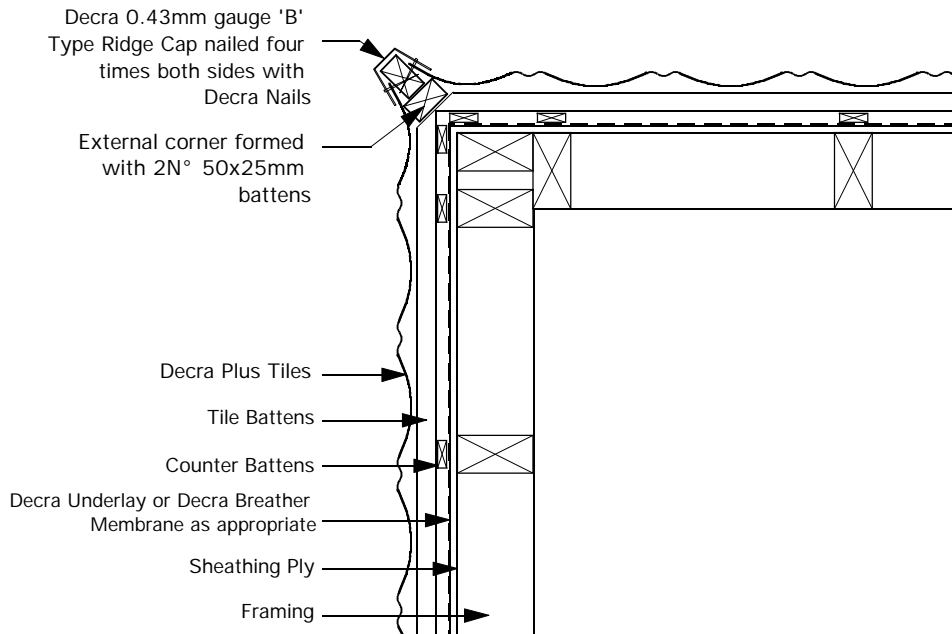
**DECRA PLUS
SOIL-VENT TERMINAL DETAILS**

DRAWING SCALE **1:10**

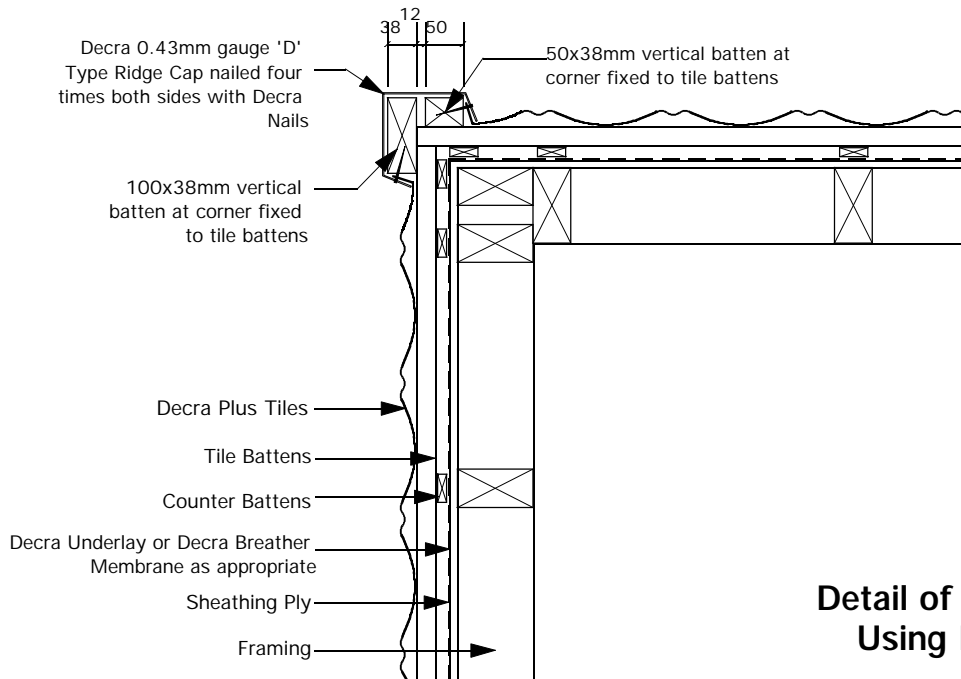
DATE **01/02/01**

DRAWING NO **DPSS062**

REVISION



**Detail of External Corner
Using Decra 'B' Ridge**
Scale 1:10



**Detail of External Corner
Using Decra 'D' Ridge**
Scale 1:10

Notes:

Decra[®]
Roof Systems Limited
A member of the Icopal Group



Unit 4
Crompton Fields
Crompton Way
Crawley
West Sussex
RH10 9QB

telephone: (01293) 545058/9
fax: (01293) 562709
email: technical@decra.co.uk
web-Site: <http://www.decra.co.uk>

The copyright of this drawing and detail information belongs to Decra Roof Systems Limited. Reproduction or amendment outwith the terms of the licensing agreement by other parties is expressly forbidden.

DECRA PLUS

CONTENT

**DECRA PLUS
VERTICAL CORNER DETAILS**

DRAWING SCALE **1:10**

DATE **01/02/01**

DRAWING NO **DPSS064**

REVISION

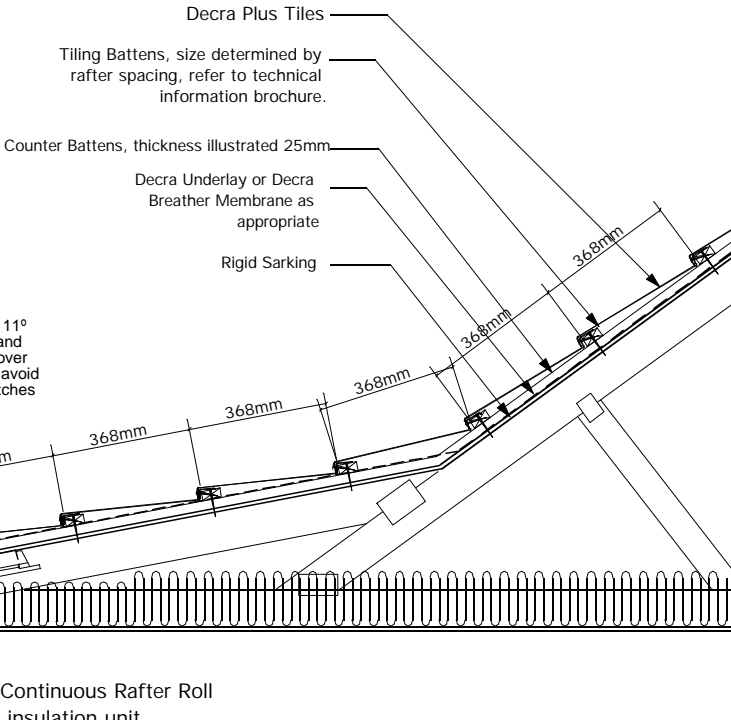
On eaves course of tile, the tiles are fixed vertically through the high point of the tile into the fascia board or batten directly behind the fascia with pre-coated Decra Plus Fixing Nails or Decra Plus Fixing Screws. The nail/screw heads to be covered with a finishing kit (supplied by Decra).

This eaves detail to be read in conjunction with Drawing DTSS017

Decra Eave Guard 400
Decra 25mm Eaves Ventilator & gutter spacing bracket
Tile batten set back 20mm minimum from eaves vent and sarking cut back for ventilation
Top, outer edge of fascia board to be fixed at 25mm below batten height.

This dimension is variable determined by pitch and gutter section

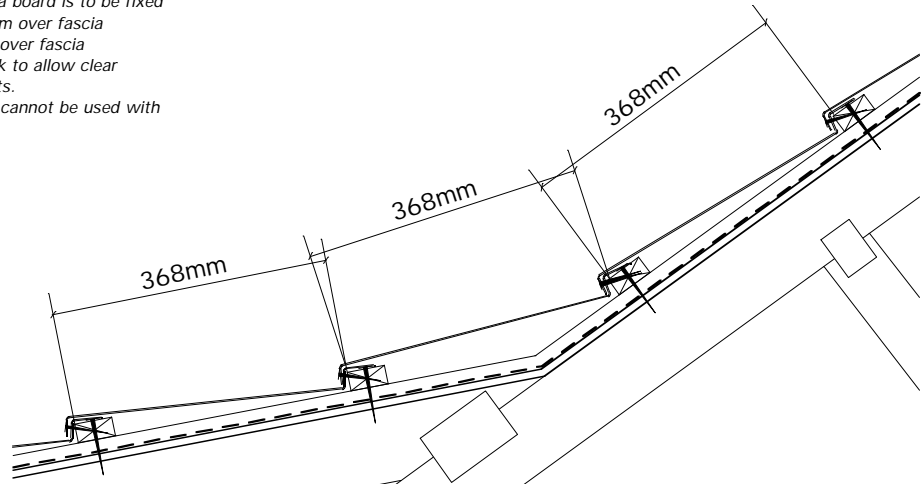
Lower pitch illustrated 11°
Note Decra Underlay and Eave Guard are fitted over the counter battens to avoid ponding where roof pitches are below 17.5°



Detail at Change in pitch
Scale 1:20

Note:
If eaves ventilation is to be used, fascia board is to be fixed at 15mm below batten height for 10mm over fascia ventilator and 25mm below for 25mm over fascia ventilator. Sarking board to be cut back to allow clear ventilation when using over fascia vents.
Note: the 10mm over fascia ventilator cannot be used with roof pitches below 15°

Note:
This detail is an enlargement of the detail above. Underlay is shown fixed over the counter battens as required for roof pitches below 17.5°. Adjust accordingly where the lower roof pitch is greater than 17.5°



Detail at Change in pitch
Scale 1:10

Notes:

Refer also to detail drawings DTSS015 and DTSS017 for Decra Eave Guard and Decra Fascia Vent combinations. Note that the 10mm fascia vent cannot be used at roof pitches below 15°, the 25mm fascia vent should be used instead - see also the ventilation recommendations in the information section of the Decra Technical Services CD.

In re-roofing projects the Continuous Rafter Roll cannot be laid without partial removal of the sarking for access. If partial removal of the sarking is not possible or desirable some other method of ensuring clear ventilation between insulation and sarking should be employed.

Decra[®]
Roof Systems Limited
A member of the Icopal Group

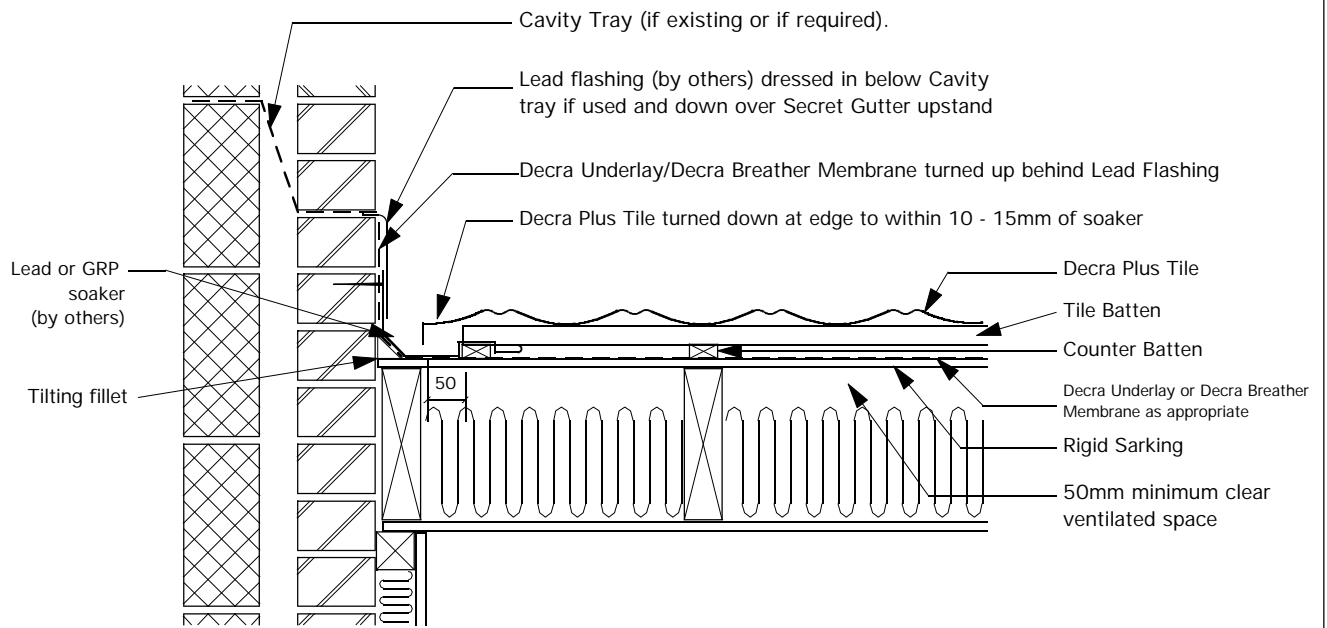


Unit 4
Crompton Fields
Crompton Way
Crawley
West Sussex
RH10 9QB

telephone: (01293) 545058/9
fax: (01293) 562709
email: technical@decra.co.uk
web-Site: <http://www.decra.co.uk>

The copyright of this drawing and detail information belongs to Decra Roof Systems Limited. Reproduction or amendment outwith the terms of the licensing agreement by other parties is expressly forbidden.

DECRA PLUS		
CONTENT	DETAIL AT CHANGE IN ROOF PITCH USING DECRA EAVE GUARD 400 AND 25MM VENTILATOR	
DRAWING SCALE	1:10/20	DATE 21/04/03
DRAWING NO	DPSS065	REVISION



Abutment Detail With Secret Gutter
Scale 1:10

Notes:

Abutment Detail with Secret Gutter suitable only for roofs of pitch 25° or greater.

Decra®
Roof Systems Limited

A member of the Icopal Group



Unit 4
Crompton Fields
Crompton Way
Crawley
West Sussex
RH10 9QB

telephone: (01293) 545058/9

fax: (01293) 562709

email: technical@decra.co.uk

web-Site: <http://www.decra.co.uk>

The copyright of this drawing and detail information belongs to Decra Roof Systems Limited. Reproduction or amendment outwith the terms of the licensing agreement by other parties is expressly forbidden.

DECRA PLUS

CONTENT

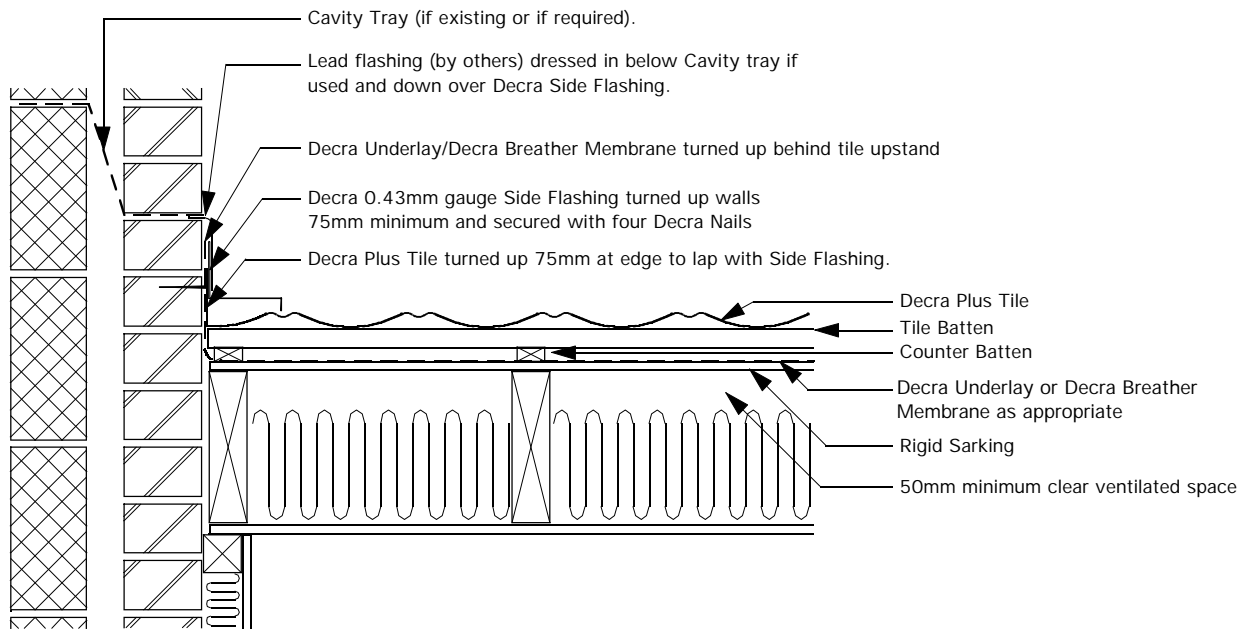
DECRA PLUS
ABUTMENT DETAIL WITH SECRET GUTTER

DRAWING SCALE **1:10**

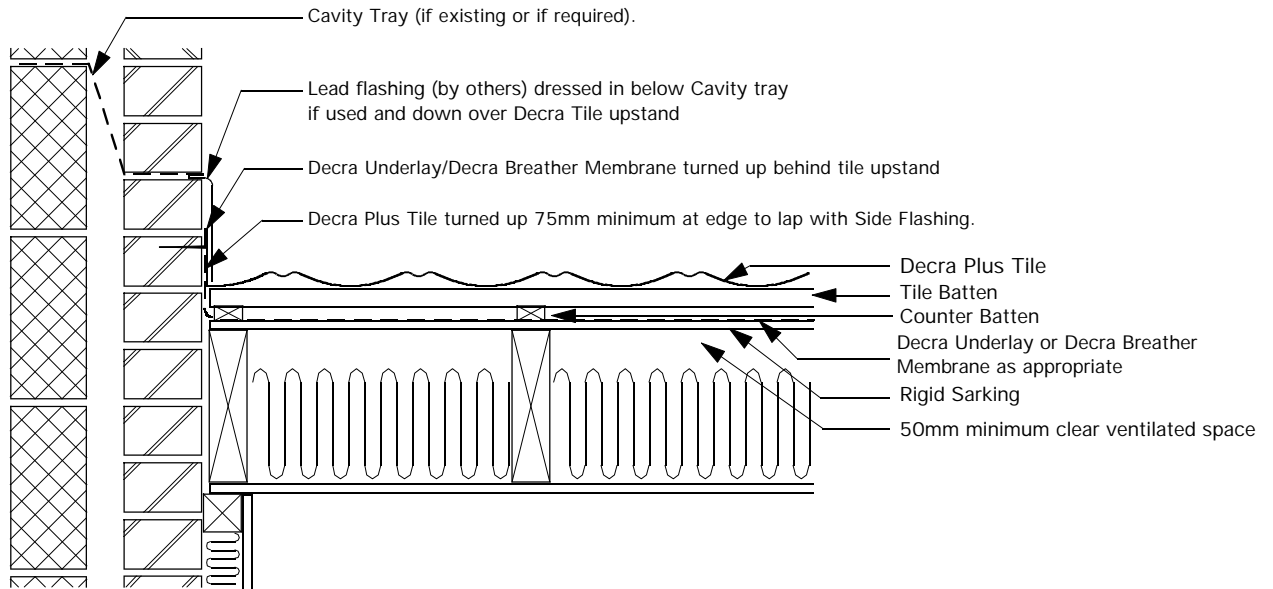
DATE **01/02/01**

DRAWING NO **DPSS070**

REVISION



Abutment Detail Using Decra Side Flashing
Scale 1:10



Abutment Detail Without Side Flashing
Scale 1:10

Decra[®]
Roof Systems Limited

A member of the Icopal Group



Unit 4
Crompton Fields
Crompton Way
Crawley
West Sussex
RH10 9QB

telephone: (01293) 545058/9

fax: (01293) 562709

email: technical@decra.co.uk

web-Site: <http://www.decra.co.uk>

The copyright of this drawing and detail information belongs to Decra Roof Systems Limited. Reproduction or amendment outwith the terms of the licensing agreement by other parties is expressly forbidden.

DECRA PLUS

CONTENT

**DECRA PLUS
ABUTMENT DETAILS**

DRAWING SCALE

1:10

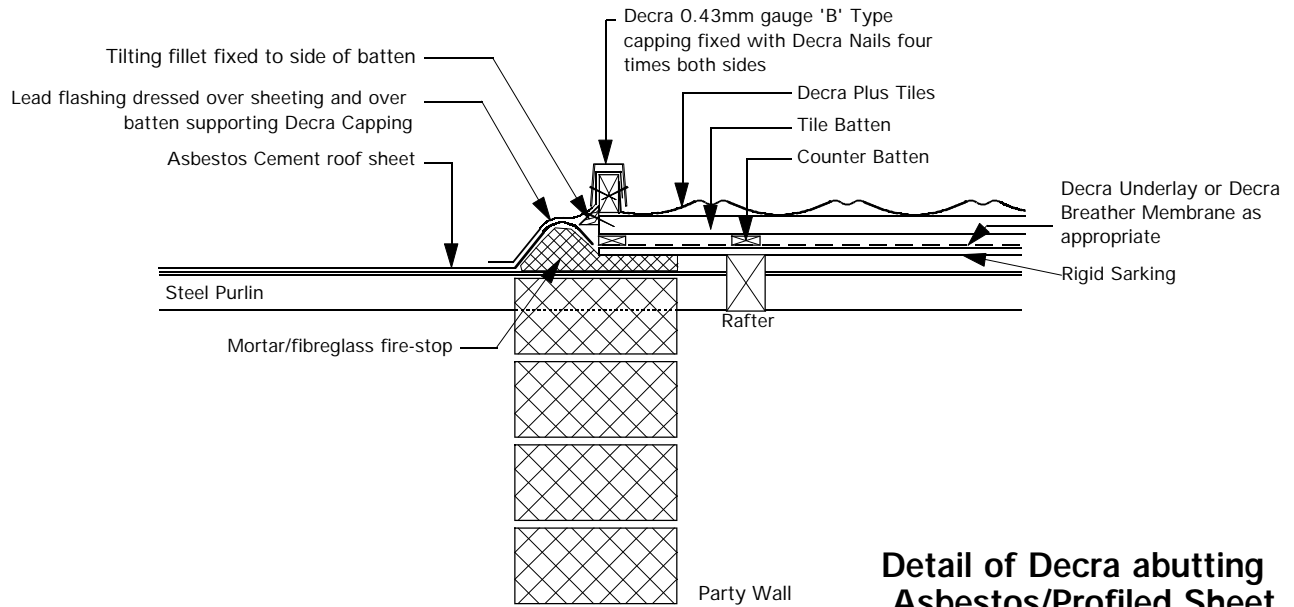
DATE

01/02/01

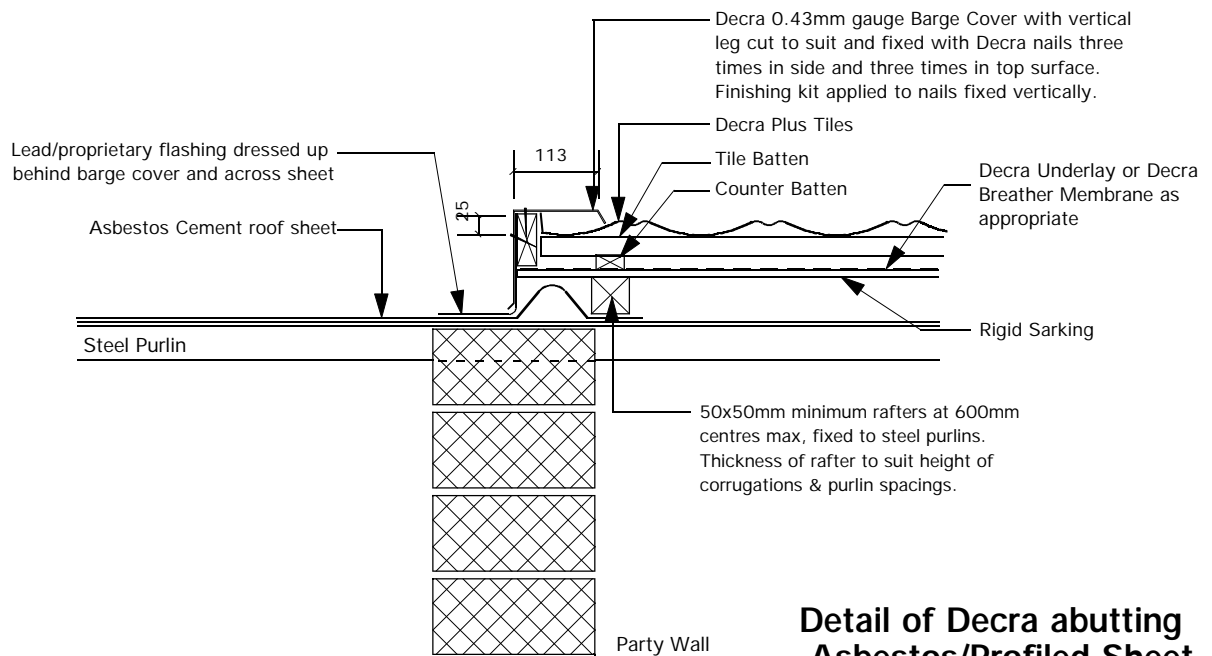
DRAWING NO

DPSS071

REVISION



**Detail of Decra abutting
Asbestos/Profiled Sheet**
Scale 1:10



**Detail of Decra abutting
Asbestos/Profiled Sheet**
Scale 1:10

Notes:

Decra[®]
Roof Systems Limited
A member of the Icopal Group



Unit 4
Crompton Fields
Crompton Way
Crawley
West Sussex
RH10 9QB

telephone: (01293) 545058/9
fax: (01293) 562709
email: technical@decra.co.uk
web-Site: <http://www.decra.co.uk>

The copyright of this drawing and detail information belongs to Decra Roof Systems Limited. Reproduction or amendment outwith the terms of the licensing agreement by other parties is expressly forbidden.

DECRA PLUS

CONTENT

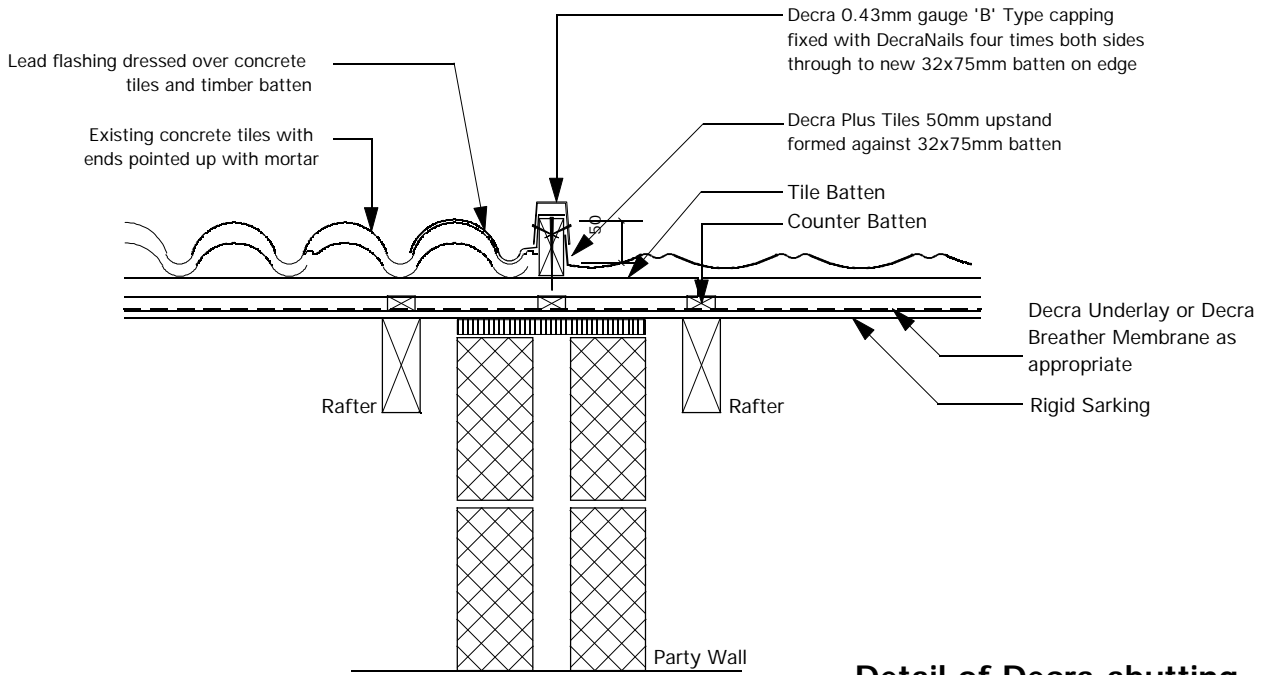
**DECRA PLUS
ROOF SHEETING ABUTMENT DETAILS**

DRAWING SCALE **1:10**

DATE **01/02/01**

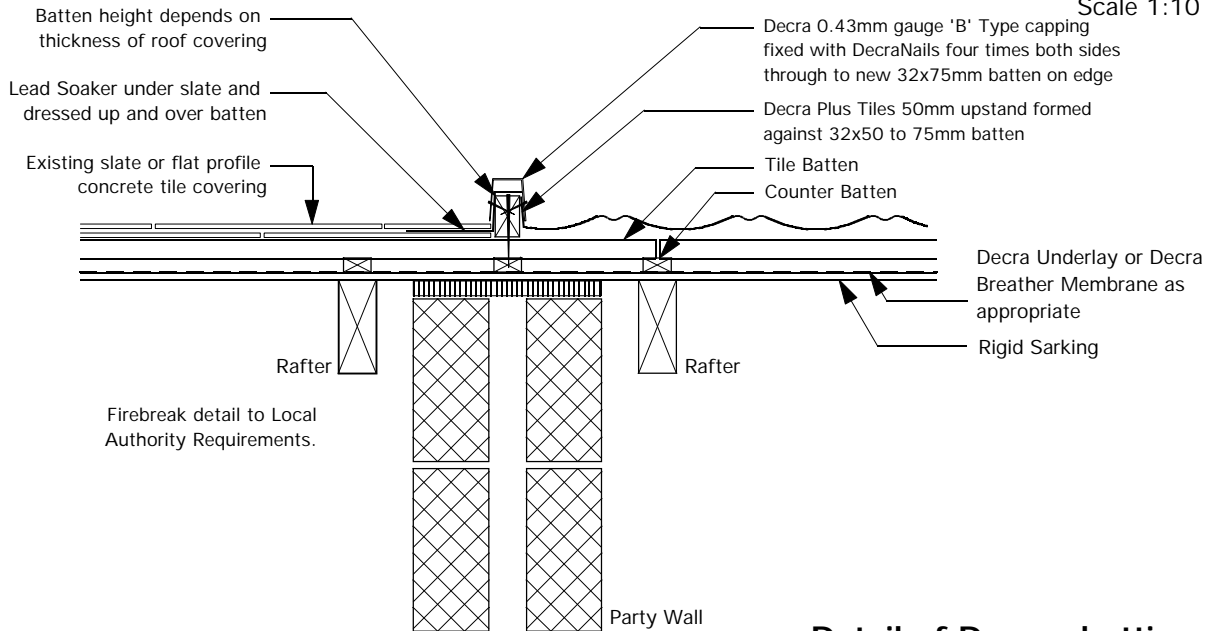
DRAWING NO **DPSS072**

REVISION



Detail of Decra abutting Concrete Tiles of Profiled Section

Scale 1:10



Detail of Decra abutting Slate or flat profile Concrete Tile

Scale 1:10

Notes:

Decra[®]
Roof Systems Limited

A member of the Icopal Group



Unit 4
Crompton Fields
Crompton Way
Crawley
West Sussex
RH10 9QB

telephone: (01293) 545058/9

fax: (01293) 562709

email: technical@decra.co.uk

web-Site: <http://www.decra.co.uk>

The copyright of this drawing and detail information belongs to Decra Roof Systems Limited. Reproduction or amendment outwith the terms of the licensing agreement by other parties is expressly forbidden.

DECRA PLUS

CONTENT

DECRA PLUS

SLATE AND TILE ABUTMENT DETAILS

DRAWING SCALE

1:10

DATE

01/02/01

DRAWING NO

DPSS073

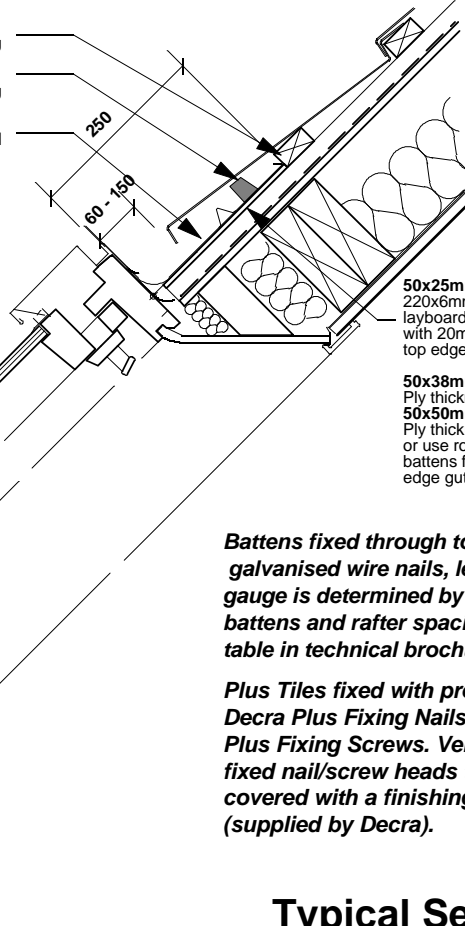
REVISION

VELUX - EDH FLASHING

Note:
50x25mm battens:
6mm ply layboards to be fitted to top edge and sides to secure Velux brackets at 20mm below top surface of tiling battens.

50x50 and 50x38mm Battens:
Tiling battens to be notched 20mm to secure Velux fixing brackets 20mm below top surface of tiling battens.

Tiling batten against top edge of EDH flashing
Sealing Strip supplied as part of EDH flashing
EDH Top Gutter Flashing fully supported on 6mm ply layboard



50x25mm battens:
220x6mm thick exterior grade ply layboard over rafter bridling, fitted with 20mm gap between ply and top edge of velux rooflight

50x38mm battens:
Ply thickness increases to 18mm,
50x50mm battens:
Ply thickness increases to 30mm - or use rows of 30mm thick battens for support beneath top edge gutter.

Battens fixed through to rafters with galvanised wire nails, length and gauge is determined by size of tile battens and rafter spacings (see table in technical brochure).

Plus Tiles fixed with precoated Decra Plus Fixing Nails or Decra Plus Fixing Screws. Vertically fixed nail/screw heads to be covered with a finishing kit (supplied by Decra).

Typical Section Scale 1:10

Decra Plus Tiles turn down 20mm at edge

Sealing Strip Supplied as part of EDH flashing
Notched tiling batten fully supported on double rafters

Counter battens

Decra Underlay or Decra Breather Membrane as appropriate

Rigid Sarking

25

30

45mm

125

125

30

45mm

125

125

30

45mm

125

125

30

45mm

125

125

30

45mm

125

125

30

45mm

125

125

30

45mm

125

125

30

45mm

125

100mm x 6mm thick exterior grade ply layboard with 20mm clear to each side of rooflight to secure fixing brackets 20mm below top surface of tiling battens.

50x25mm batten end supported on counter batten with full rafter or supporting batten below sarking.

Detail using 50x50mm Battens

This detail same for 50x38mm battens, battens notched 20mm to secure fixing brackets 20mm below line of tiling battens

Detail using 50x25mm Battens

Typical Cross-Sections Scale 1:10

Notes:

15° minimum roof pitch for Velux GGL Rooflights.

Velux Type EDH flashings must be used

The use of the following rooflights are to be strongly recommended for improved fitting in conjunction with Decra Plus Tiles: GGL206, GGL306, GGL410, GGL606, Special sizes complying with overall external frame heights of 1180mmx1600mm.

Velux Rooflight profiles and details courtesy of, and copyright to, Velux.

This detail is to be read in conjunction with Velux installation and design instructions.

Design and installation must ensure that ventilation of roofspace requirements are adhered to. Detail shown may not suit all types of roof construction where ventilation is concerned.

This detail to be read in conjunction with Acrobat files for velux installation instructions in the information section on the Decra Technical Services CD

Decra®
Roof Systems Limited

A member of the Icopal Group



Unit 4
Crompton Fields
Crompton Way
Crawley
West Sussex
RH10 9QB

telephone: (01293) 545058/9

fax: (01293) 562709

email: technical@decra.co.uk

web-Site: <http://www.decra.co.uk>

DECRA PLUS

CONTENT

DECRA PLUS

VELUX ROOFLIGHT EDH FLASHING

DRAWING SCALE

1:10

DATE

15/02/01

DRAWING NO

DPSS080

REVISION

The copyright of this drawing and detail information belongs to Decra Roof Systems Limited. Reproduction or amendment outwith the terms of the licensing agreement by other parties is expressly forbidden.